



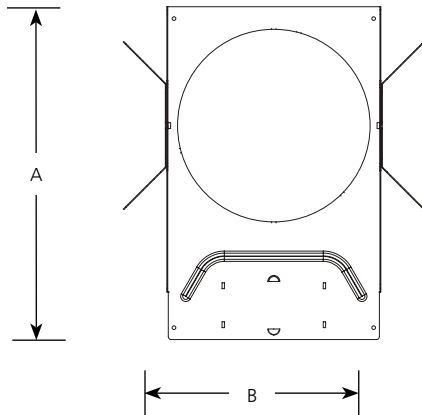
Compact Fluorescent

**8" Pro-Optic™ Housing
26W Quad Tube
2 Horizontal Lamps**

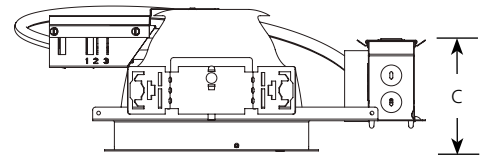
Recessed

| | | |
|-------|--------------------------|--------------------------|
| | Type _____ | |
| | -DVEB | -DM |
| P8226 | <input type="checkbox"/> | <input type="checkbox"/> |

| Catalog No. | Lamping | Dimensions (Inches) | | |
|-------------|----------------------------|---------------------|-------|----|
| | | A | B | C |
| P8226-DVEB | (2) 26w Quad Tube | 14 | 9-1/8 | 6* |
| P8226-DM | (2) 26w Quad Tube Dimmable | 14 | 9-1/8 | 6* |



- * 4-3/4 depth for cross baffle P8170
- * 7-1/8 depth for Lensed and Wall Wash Ceiling Opening = 8-1/4
- Maximum Ceiling Thickness = 1-1/4



• Trim must be ordered separately; P8030 trim shown above

Specifications:

Electrical

- Universal heavy gauge junction box with snap-out sides
- Grounding pigtail
- 1/2" & 3/4" pryouts for rigid or BX fittings
- P8226-DVEB includes 120/277v electronic HPF ballast
- P8226-DM includes 120v HPF electronic ballast. Dimmable to 5% with 2-wire switches compatible with Advance Mark X ballasts.
- Rated for 8 #12 90 degree conductors (4 in, 4 out)
- Thermal and end of life ballast protection

Construction

- 2 horizontal 26W GX24q-3 quad tube compact fluorescent
- Notched housing for chalkline or laser alignment
- Full wrap-around mounting frame
- Galvanized steel construction
- Trims adjust to accommodate 1/2" to 1-1/4" thick ceilings

Bar Hangers

- Light commercial bar hangers included
- Integral nailers for wood joist construction
- Integral T-bar mounting clamps
- Securely span 24" T-bar spacing
- Integral set screw lock to secure housing
- Captive and factory installed
- Galvanized steel
- Universal mounting brackets accept 1/2" EMT conduit or 1-1/2" or 3/4" lathing channel (by others)

Labeling

- UL and CUL listed for damp location and through branch wiring
- Non-IC rated

Lamp/Trim

- Socket box mounts securely to reflector for consistent lamp positioning and photometric performance
- Trim retention accomplished by use of 3 spring clips located inside aperture of frame in
- Order trim separately
- Internal emergency available for use with standard open P8130, baffle P8131, and cross baffle P8170 trims only.

Options

- Remote emergency packs are available as options. Add 'EM' to end of sku number for internal emergency (MTO only).

Technical Data

| Lamp | Ballast | Line Base | Current Amps | Input Watts | Min. Start Temp. |
|------|---------|-----------|--------------|-------------|------------------|
| 26w | 120v | G24q-3 | .45 | 54 | 0 |
| 26w | 277v | G24q-3 | .20 | 54 | 0 |
| 26w | 120v | G24q-3 | .46 | 54 | 32 (dimming) |
| 26w | 277v | G24q-3 | .19 | 52 | 32 (dimming) |

* Technical data is for two lamps.

Open

- P8130-21A Clear Alzak
- P8130-22A Gold Alzak

Baffle

- P8131-28 Ptd. White
- P8131-31 Ptd. Black

Lensed Wet Location

- P8135-68 White Prismatic

Wall Wash

- P8132-21 Clear Alzak

Cross Louver

- P8170-21A Clear Alzak
- P8170-22A Gold Alzak

Progress Lighting
701 Millennium Blvd.
Greenville, South Carolina 29607

www.progresslighting.com

Rev. 7/10