

6" Incandescent Open Downlight **LF6INC**

One 150W A-21*, A-23*,
PAR-38 or 90W A-19 Lamp
120W BR40
85W BR30
75W PAR30L

DATE: _____ TYPE: _____

FIRM NAME: _____

PROJECT: _____



Ceiling Cutout: 6 1/4"
Maximum Ceiling Thickness: 1 1/4"
For conversion to millimeters,
multiply inches by 25.4
Not to Scale

APPLICATIONS:

The LF6INC provides a 6" incandescent open downlight fixture. This luminaire is ideal for a wide variety of applications including commercial, retail, hospitality, and design build.

HOUSING:

One piece 22-gauge galvanized steel platform. Prewired J-Box with snap-on cover for easy below ceiling access.

REFLECTOR:

High purity aluminum Alzak® iridescence suppressed semi-diffuse reflector. Self-trim standard. Painted, white self trim (WT) available as option. Baffled units standard with painted white self trim.

LAMP:

One (1) 150W A-21*, A-23*, or PAR38; 90W A-19 lamp; 120W BR40; 85W BR30; or 75W PAR30L lamp. Lamp furnished by others.

SOCKET:

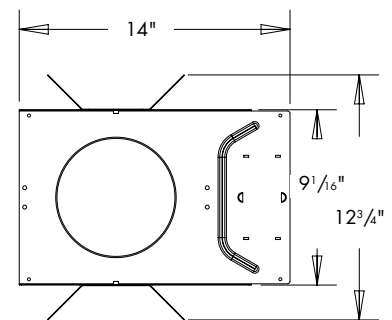
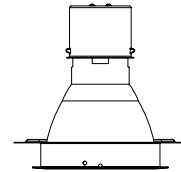
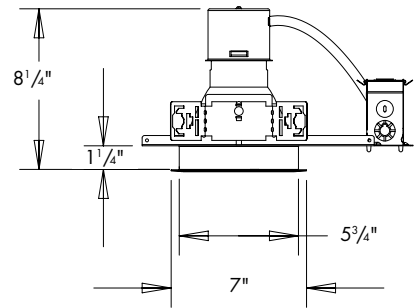
One (1) medium base porcelain socket with nickel plated screw shell. Socket adjusts to two positions to maintain proper lamp position when using A-21 or PAR lamps.

INSTALLATION:

Universal adjustable mounting brackets accept 1/2" EMT conduit or 1 1/2" or 3/4" lathing channel (by others) or Prescolite 24" bar hangers (B24 or B6). Light commercial bar hangers included.

LABELS:

UL, CSA listed for damp locations
Approved for through wiring (4 in, 4 out).
Thermally protected. Non-IC rated.



*100W A21, A23 maximum on BB and WB trims

Order housing, reflector and accessories separately.

CATALOG NUMBER:

EXAMPLE: LF6INC-6V

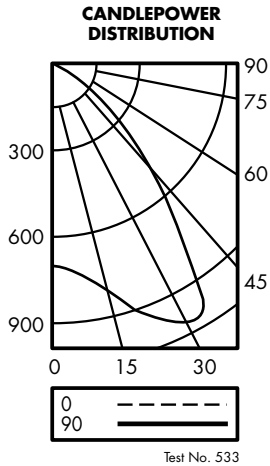
HOUSING	HOUSING OPTIONS	REFLECTORS	REFLECTOR COLOR	OPTIONS	ACCESSORIES
<input type="checkbox"/> LF6INC	<input type="checkbox"/> CP Chicago Plenum. <input type="checkbox"/> MW60A19 Max Wattage label, 60W <input type="checkbox"/> MW75A19 Max Wattage label, 75W <input type="checkbox"/> MW75A21 Max Wattage label, 75W <input type="checkbox"/> MW100A21 Max Wattage label, 100W <input type="checkbox"/> MW60PAR38 Max Wattage label, 60W <input type="checkbox"/> MW90PAR38 Max Wattage label, 90W <input type="checkbox"/> MW120PAR38 Max Wattage label, 120W	<input type="checkbox"/> 6V	<input type="checkbox"/> Blank Clear Alzak <input type="checkbox"/> CG Champagne Gold Alzak <input type="checkbox"/> PW Pewter Alzak <input type="checkbox"/> WE Wheat Alzak <input type="checkbox"/> LW Light Wheat Alzak <input type="checkbox"/> BL Black Alzak <input type="checkbox"/> BB Black baffle with clear Alzak upper reflector <input type="checkbox"/> WB White baffle with clear Alzak upper reflector	<input type="checkbox"/> TRG Trim ring gasket (factory installed) <input type="checkbox"/> WT White flange	<input type="checkbox"/> B24 Set of two (2) 24" bar hangers for T-bar ceilings <input type="checkbox"/> B6 Set of two (2) bar hangers for ceiling joists up to 24" centers <input type="checkbox"/> FSDf1 Fuse kit for field installation <input type="checkbox"/> SCA6D Sloped ceiling adapter (see note on back page)

PHOTOMETRIC DATA

LiteFrame® - 6" Recessed Incandescent Open Downlight - LF6INC

LF6INC/6V Specular Clear Alzak® Reflector

Lamp: 1-A21/150W-GE
 Spacing Criteria: 1.4
 Efficiency: 65.7%



CANDLEPOWER SUMMARY

Angle	0°
0	711
5	718
10	742
15	791
20	866
25	952
30	1022
35	1012
40	802
45	522
50	289
55	111
60	18
65	4
70	2
75	1
80	1
85	0
90	0

COEFFICIENTS OF UTILIZATION Zonal Cavity Method

Room Cavity Ratio	% Effective Floor Cavity Reflectance													
	80%		70%		50%		30%		10%					
	20% Effective Floor Cavity Reflectance													
	% Wall Reflectance													
	70	50	30	10	70	50	30	10	50	30	10	50	30	10
1	.74	.72	.70	.68	.72	.70	.68	.67	.67	.66	.65	.65	.64	.63
2	.69	.65	.62	.59	.67	.64	.61	.58	.62	.59	.57	.60	.58	.56
3	.64	.59	.55	.52	.63	.58	.54	.51	.56	.53	.51	.55	.52	.50
4	.60	.54	.49	.46	.59	.53	.49	.46	.51	.48	.45	.50	.47	.44
5	.56	.49	.44	.41	.55	.48	.44	.40	.47	.43	.40	.46	.42	.40
6	.52	.45	.40	.36	.51	.44	.40	.36	.43	.39	.36	.42	.38	.36
7	.48	.41	.36	.33	.47	.40	.36	.32	.39	.35	.32	.39	.35	.32
8	.45	.38	.33	.29	.44	.37	.32	.29	.36	.32	.29	.36	.32	.29
9	.42	.35	.30	.27	.41	.34	.30	.26	.33	.29	.26	.33	.29	.26
10	.40	.32	.27	.24	.39	.32	.27	.24	.30	.27	.24	.30	.27	.24

LF6INC/6V

Test No. 533

LUMINANCE DATA IN CANDELA/SQ. METER

Angle in Vertical	0°
45°	44049
55°	11547
65°	565
75°	231
85°	0

AVERAGE INITIAL FOOTCANDLES

Multiple Units (Square Array)
 Ceiling 80% Wall 50% Floor 20%

Assumptions:

- Multiple Units (Square Array)
- Ceiling 80% Wall 50% Floor 20%
- 4 Fixtures evenly spaced in the center of the room.
- The room is square and has a width and length equal to twice the lamp spacing.
- The lumen depreciation factor is 0.8.
- The dirt depreciation factor is 0.98.

150W A-21

SPACING	RCR1	RCR3	RCR7
7.0	33	27	19
8.0	25	20	14
9.0	20	16	11
10.0	16	13	9
11.0	13	11	8
12.0	11	9	6
13.0	9	8	5
14.0	8	7	5
15.0	7	6	4

NOTES

When ordering a sloped ceiling adapter, specify the degree of slope in 5° increments, max. of 35°. For a more precise degree or wet ceiling applications, please contact factory. The SCA must be installed at the time of housing installation.

Refer to www.prescolite.com for additional photometric tests (IES Files).