



Ceiling and Wall Mount Occupancy Sensors

OMNI™ Dual Technology Ultrasonic and Passive Infrared Ceiling Sensor featuring IntelliDAPT®

KEY FEATURES

- IntelliDAPT self-adaptive technology—no manual adjustment required
- All-digital dual technology (ultrasonic [US] and passive infrared [PIR]) sensor
- Non-volatile memory for sensor settings
- 500–2,000 square-foot coverage area (depending on model)
- Optional relay and photocell control
- Optional Quick-to-Install (QTI) connector
- UL and cUL listed
- California Title 24 compliant
- Five-year warranty



OMNIDT2000

OVERVIEW

The OMNIDT combines ultrasonic (US) and passive infrared (PIR) technologies to turn lighting on and off based on occupancy. This dual technology provides accurate turn-ons while virtually eliminating false-offs. This sensor features Hubbell Building Automation’s patented IntelliDAPT technology, which makes all the sensor adjustments automatically. Throughout the product’s lifespan, smart software analyzes the controlled area and makes digital adjustments to sensitivity and timer settings. Occupancy sensors with IntelliDAPT provide a maintenance-free install-and-forget operation.

FEATURES and BENEFITS

Features

IntelliDAPT technology

All-digital dual technology

(ultrasonic [US] and passive infrared [PIR]) sensor

Non-volatile memory for sensor settings

Optional relay and photocell control

Optional Quick-to-Install (QTI) connector

Benefits

- Sensor automatically determines the ideal setting for an area
- Excellent false trip immunity (for improved accuracy)
- No manual sensitivity and timer adjustments required
- Provides a maintenance-free install-and-forget operation.
- Superior US minor-motion detection with excellent PIR long-range major-motion detection
- Learned and adjusted settings will not be lost during power outages
- Easy integration with Building Automation Systems
- Increases energy savings by preventing lights from turning on when there is sufficient natural light
- Dramatically reduces installation costs by removing the time-consuming process of manually wiring a sensor to a power pack
- Easy to install; fast and efficient; no cutting, stripping, or wire nuts required

APPLICATIONS

- Offices
- Small conference rooms
- Break rooms

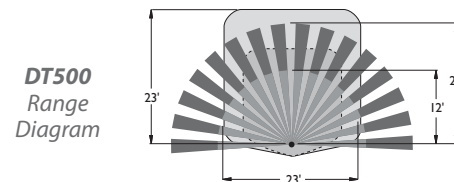
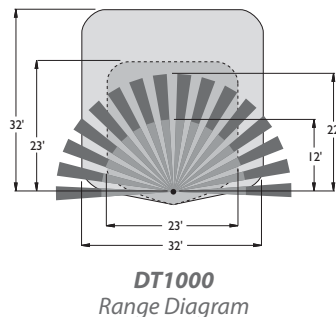
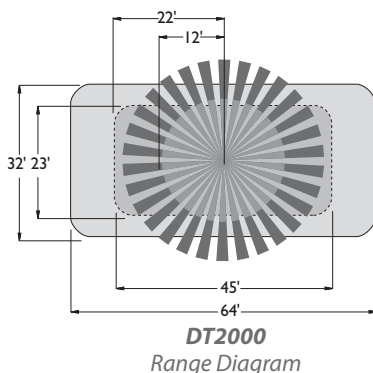
SPECIFICATIONS

IntelliDAPT	<ul style="list-style-type: none"> • Auto reset from test setting • Self-adjusting timer • Self-adjusting ultrasonic and passive infrared thresholds • Automatic false-on/false-off corrections
LED lamp	<ul style="list-style-type: none"> • Red—infrared motion • Green—ultrasonic motion
Timer timeout	<ul style="list-style-type: none"> • Automatic mode: 8–30 min. (self-adjusts based on occupancy) • Test mode: 8 seconds (for an easy check at installation)
Ultrasonic (US) output	<ul style="list-style-type: none"> • OMNIDT500: 40kHz output • OMNIDT1000 and OMNIDT2000: 32kHz
Passive infrared (PIR) RP option	<ul style="list-style-type: none"> • Dual-element pyrometer and 12-element cylindrical rugged lens • Relay and photocell included • Relay: N/O + N/C contacts; SPDT; 500 mA rated @ 24VDC; three-wire isolated relay • Photocell: adjustable natural-light override ranges from 0 to 100 foot-candles (0–1,000 lux)
Coverage	<ul style="list-style-type: none"> • 500–2,000 square feet (depending on model)
Power requirements	<ul style="list-style-type: none"> • 24 VDC, 33 mA (uses UVPP and MP-Series power pack—not included)
Output	<ul style="list-style-type: none"> • 24 VDC active high-logic control signal with short circuit protection and optional dry contact (see: RP Option)
Operating environment	<ul style="list-style-type: none"> • Indoor use only • Operating temperature: 32°–104°F (0°–40°C) • Relative humidity (non-condensing): 0%–95%
Construction	<ul style="list-style-type: none"> • Casing—rugged, high-impact, injection-molded plastic KJB ABS Cicolac (UL-945VA) flame class rating, UV inhibitors • Color-coded leads are 6" long
Size and weight	<ul style="list-style-type: none"> • Size: 4.5" diameter, 1.5" height (114 mm diameter, 38mm height) • Weight: 5.0 oz (142g)
Color	<ul style="list-style-type: none"> • Off-white
Mounting	<ul style="list-style-type: none"> • Mounting base provided • Recommended MAX Mounting height: 12ft.
Certifications	<ul style="list-style-type: none"> • UL and cUL listed
Warranty	<ul style="list-style-type: none"> • Five years

ORDERING INFORMATION

MODEL	TECHNOLOGY	COVERAGE	RELAY / PHOTOCELL OPTION	QTI
OMNI	DT Dual Technology	500 500 sq. ft. 1000 1,000 sq. ft. 2000 2,000 sq. ft.	RP Relay & Photocell Blank No Option	QTI Quick to Install Blank No QTI

RANGE DIAGRAMS



Building Automation, Inc.

Hubbell Building Automation, Inc.
9601 Dessau Road | Building One | Austin, Texas 78754
{512} 450-1100 | {512} 450-1215 fax
hubbell-automation.com