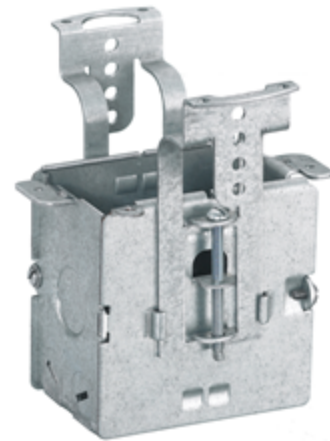


Floor Boxes
Residential Delivery Systems
Flush Floor Boxes for Wooden Floors



Features

- Pre-assembled flange and cover for fast installation
- Top screw fastening and side joist mounting provided
- Height accessible adjustments after the box is mounted

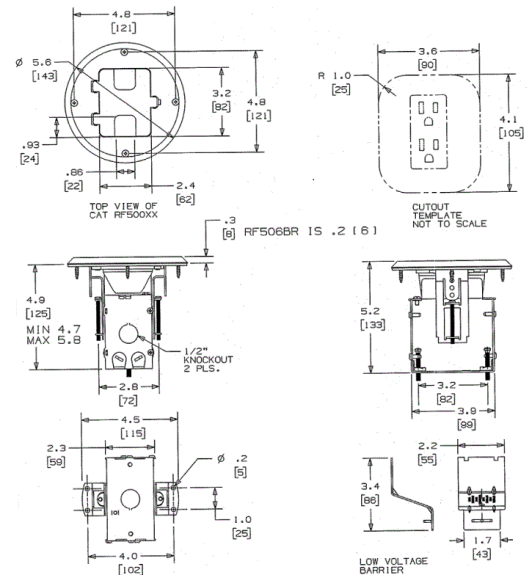


Ordering Information

Description	Device Color	UPC	Catalog Number
Adjustable floor box; 3	Steel	883778112867	RF500

Specifications

Material	Steel
----------	-------



Online Resources

- Customer Use Drawing
- eCatalog
- Installation Instructions

Dimensions in Inches (mm)

Hubbell Wiring Device-Kellems • Hubbell Incorporated (Delaware) • 40 Waterview Drive • Shelton, CT 06484

Phone (800) 288-6000 • Fax (800) 255-1031 • Specifications subject to change without notice.

