



## Twist-Lock® Devices

**Mechanical Interlock Switched Safety Enclosures****Circuit-Lock® Unfused Safety Shroud® Twist-Lock®**

UL Listed, CSA Certified TYPE 4,  
4X and TYPE 12K Enclosure Rating

**IP66**  
SUITABILITY

This unit is a complete enclosure ready to accept any 20 or 30A Watertight Safety-Shroud Twist-Lock Receptacle.

Description	Ratings	Catalog Number
Mechanical Interlock accommodates 20A or 30A Watertight Safety-Shroud Twist-Lock receptacles.	Amperage and voltage ratings will be determined by the choice of the Watertight Safety-Shroud Twist-Lock selected. Supplied with 3/4" N.P.T. Hub.	<b>HBLMITL</b>

Accepts the following Watertight Safety-Shroud® Twist-Lock® receptacles:

**20A**

Rating	Voltage AC	NEMA Config. Reference Number	Max. HP Rating*	Receptacle Catalog Number	Use Watertight Safety Shroud Twist-Lock Plug Catalog Number
2 Pole, 3 Wire	120	L5-20	1	<b>HBL2310SW</b>	<b>HBL2311SW</b>
	208-240	L6-20	2.5	<b>HBL2320SW</b>	<b>HBL2321SW</b>
	277	L7-20	3	<b>HBL2330SW</b>	<b>HBL2331SW</b>
3 Pole, 4 Wire	120/240	L14-20	2.5	<b>HBL2410SW</b>	<b>HBL2411SW</b>
	240 3Ø	L15-20	5 (3@208V)	<b>HBL2420SW</b>	<b>HBL2421SW</b>
	480 3Ø	L16-20	10	<b>HBL2430SW</b>	<b>HBL2431SW</b>
4 Pole, 5 Wire	120/208 3ØY	L21-20	3	<b>HBL2510SW</b>	<b>HBL2511SW</b>

**30A**

2 Pole, 3 Wire	120	L5-30	1	<b>HBL2610SW</b>	<b>HBL2611SW</b>
	208-240	L6-30	3	<b>HBL2620SW</b>	<b>HBL2621SW</b>
	277	L7-30	3	<b>HBL2630SW</b>	<b>HBL2631SW</b>
3 Pole, 4 Wire	120/240	L14-30	3	<b>HBL2710SW</b>	<b>HBL2711SW</b>
	240 3Ø	L15-30	7.5	<b>HBL2720SW</b>	<b>HBL2721SW</b>
	480 3Ø	L16-30	15	<b>HBL2730SW</b>	<b>HBL2731SW</b>
	600 3Ø	L17-30	15	<b>HBL2740SW</b>	<b>HBL2741SW</b>
4 Pole, 5 Wire	120/208 3ØY	L21-30	7.5	<b>HBL2810SW</b>	<b>HBL2811SW</b>
	277/480	L22-30	7.5	<b>HBL2820SW</b>	<b>HBL2821SW</b>
	347/600	L23-30	7.5	<b>HBL2830SW</b>	<b>HBL2831SW</b>

**30A Reverse Service**

3 Pole, 4 Wire	120/240	L14-30	3	<b>HBL2715SWR</b>	<b>HBL2713SR</b>
----------------	---------	--------	---	-------------------	------------------

**Auxiliary Contacts**

Description	Ratings	Catalog Number
Auxiliary contact.	"Break After Main Break", 1 set of n/o contacts, 1 set of n/c contacts.	<b>HBLAC1</b>
Auxiliary contact.	"Break Before Main Break", 1 set of n/o contacts.	<b>HBLAC2</b>

**Replacement Parts**

Description	Catalog Number
Ground block.	<b>HBL30RGB</b>
Neutral block.	<b>HBL30RNB</b>
Replacement switch.	<b>HBLDS3RS</b>

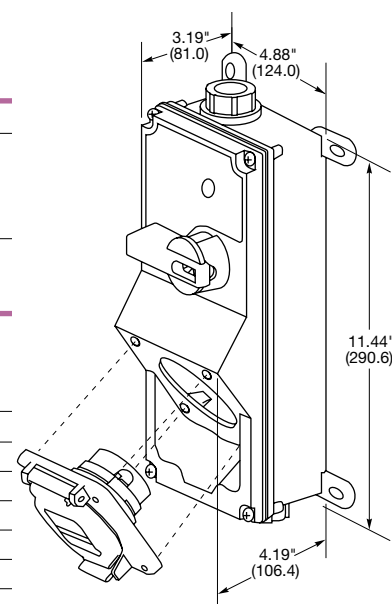
**Replacement Mounting Feet**

Description	Catalog Number
For 30A switches.	<b>HBLRFT1<sup>A</sup></b>

Note: \* HP ratings for the final unit are determined by the HP rating of the switch, limited by the full load current capability of the receptacle at 80% of rated current, number of phases and line voltage. HP ratings listed above are AC only.

<sup>A</sup> Package of 10 feet and 10 screws.

See pages B-52 and B-53 for accessories. For technical information see page B-73.

**HBLMITL****HBL2620SW****HBLAC1****HBL30RGB****HBL30RNB****HBLRFT1**