



H-MOSS® Occupancy Sensors Wall Switches

Featuring Adaptive Technology

Adaptive Technology

- Adaptive technology - “Install and forget” operation
- All digital sensing technology
- Dual 120/277V AC operation. No neutral required
- Auto or manual “On” operating modes
- No minimum load requirements
- Hard lens (dual technology, passive infrared)
- Zero arc point switching
- Built in photocell with manual super saver mode for daylight harvesting
- Bi-level switching or dual load control (AD, AP AU1277x2, 2N series)
- cULus, CEC Title 24 Certified

Dual (Ultrasonic and Passive Infrared)

1000 square foot coverage with photocell, 800W Incandescent, 1000W Fluorescent at 120V AC, 1800W Fluorescent at 277V AC, 50/60Hz

Description	Catalog Number	
	Ivory	White
Single Circuit; 1 Button for manual/auto control	AD1277I1	AD1277W1
Single Circuit; Auto control with no button	AD1277I1N	AD1277W1N
Dual Circuit; 2 Buttons for manual/auto control	AD1277I2	AD1277W2
Dual Circuit; Auto control with no button	AD1277I2N	AD1277W2N



Ultrasonic

400 square foot coverage with photocell, 800W Incandescent, 1000W Fluorescent at 120V AC, 1800W Fluorescent at 277V AC, 50/60Hz

Description	Catalog Number	
	Ivory	White
Single Circuit; 1 Button for manual/auto control	AU1277I1	AU1277W1
Single Circuit; Auto control with no button	AU1277I1N	AU1277W1N
Dual Circuit; 2 Buttons for manual/auto control	AU1277I2	AU1277W2
Dual Circuit; Auto control with no button	AU1277I2N	AU1277W2N



Passive Infrared

1000 sq. ft. coverage with photocell, 800W Incandescent, 1000W Fluorescent at 120V AC, 1800W Fluorescent at 277V AC, 50/60Hz

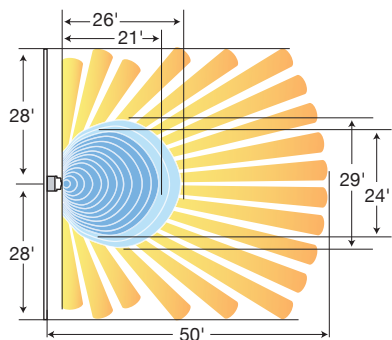
Description	Catalog Number	
	Ivory	White
Single Circuit; 1 Button for manual/auto control	AP1277I1	AP1277W1
Single Circuit; Auto control with no button	AP1277I1N	AP1277W1N
Dual Circuit; 2 Buttons for manual/auto control	AP1277I2	AP1277W2
Dual Circuit; Auto control with no button	AP1277I2N	AP1277W2N



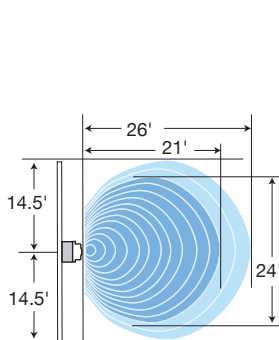
Note: Sensors are also available in: LA (Light Almond), GY (Gray) or BK (Black). These colors have minimum lead times. Please call Customer Service for further information. Wallplates are sold separately.

Coverage Patterns

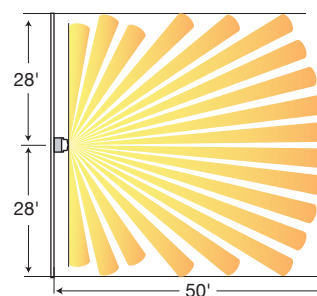
Minor Motion: ■ Ultrasonic ■ PIR Major Motion: ■ Ultrasonic ■ PIR



AD1277 Series



AU1277 Series



AP1277 Series