

Steel, nickel plated bridge is corrosion resistant

Prominent amperage marking allows easy identification of rating

Abuse resistant nylon toggle

One piece rivetless copper alloy spring contact arm and terminal plate assures proper contact alignment providing long life

One piece bridge with integral grounding terminal with #8 brass screw provides a low resistance ground path

Stainless steel automatic grounding clip assures grounding continuity between mounting strap and metal wall box

Thread cleaning captive mounting screw

Strip gauge for accurate wiring

Large silver alloy contacts reduce contact erosion providing long life

Back wire entrance points for terminations accept two wires for feed through capability avoiding pigtailing

Large brass binding head screws with deep slots secure wire connections

Color coded base identifies amperage when terminating connections, 15A (Blue), 20A (Red), and 30A (Green)

HBL1221I



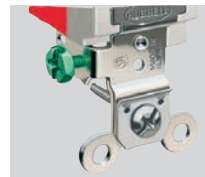
One piece rivetless copper alloy spring contact arm and terminal plate assures proper contact alignment reducing heat rise. Large silver alloy contacts reduce contact erosion and prevent welding, providing long life.



Elastomer rocker assures quiet operation and precise timing. Permanently lubricated assembly provides long life and trouble free operation.



Heavy duty nylon toggle resists abuse and chemical attack making it suitable for use in the toughest environments.



One piece integral grounding terminal with #8 brass screw allows compliance to NEC®. Stainless steel automatic self-grounding clip assures grounding continuity between mounting strap and metal wall box. Steel nickel plated mounting strap provides a corrosion resistant finish.

NEC® is a registered trademark of the National Fire Protection Association (NFPA).

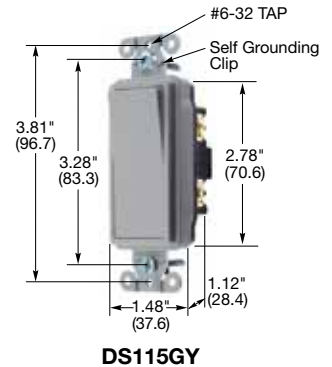


Style Line® Decorator Series Specification Grade, 15A, 120-277V AC

Description	Rocker Color	Single Pole	Double Pole	Three Way	Four Way
Rocker, back and side wired.	Almond	DS115AL	—	DS315AL	—
	Black	DS115BK	—	DS315BK	—
	Brown	DS115	—	DS315	—
	Gray	DS115GY	—	DS315GY	—
	Ivory	DS115I	—	DS315I	—
	Light Almond	DS115LA	—	DS315LA	—
	Office White	DS115OW	—	DS315OW	—
	White	DS115W	—	DS315W	—

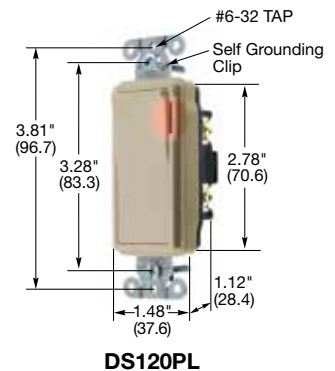
Style Line® Decorator Series Specification Grade, 20A, 120-277V AC

Description	Rocker Color	Single Pole	Double Pole	Three Way	Four Way
Rocker, back and side wired.	Almond	DS120AL	DS220AL	DS320AL	DS420AL
	Black	DS120BK	DS220BK	DS320BK	DS420BK
	Brown	DS120	DS220B	DS320	DS420
	Gray	DS120GY	DS220GY	DS320GY	DS420GY
	Ivory	DS120I	DS220I	DS320I	DS420I
	Light Almond	DS120LA	DS220LA	DS320LA	DS420LA
	Office White	DS120OW	DS220OW	DS320OW	DS420OW
	Red	DS120R	DS220R	DS320R	DS420R
	White	DS120W	DS220W	DS320W	DS420W



Style Line® Decorator Series Specification Grade, Illuminated, Light On with Load Off 20A, 120-277V AC

Description	Rocker Color	Single Pole	Double Pole	Three Way	Four Way
Rocker, with Blue LED, back and side wired.	Black	DS120ILBK	—	DS320ILBK	—
	Ivory	DS120IL	—	DS320IL	—
	White	DS120ILW	—	DS320ILW	—



Style Line® Decorator Series Specification Grade, Pilot, Light On with Load On 20A, 120-277V AC

Description	Rocker Color	Single Pole	Double Pole	Three Way	Four Way
Rocker, with Red LED, back and side wired.	Black	DS120PLBK	—	—	—
	Ivory	DS120PL	—	—	—
	White	DS120PLW	—	—	—

Note: See page D-9 for pre-wired/leaded devices.

See page D-13 for accessories.

See page D-15 for wallplates.

See page D-20 for technical information.

HP Conversion Chart

	120V	208V	240V	277V AC
15A	.5HP	1.5HP	2HP	2HP
20A	1HP	2HP	2HP	2HP

Dimensions in Inches (mm)