

PB SERIES 30.5MM PUSHBUTTON ENCLOSURES NEMA 4 & 12 OPERATOR INTERFACE



PB4



PB3BC

Industry Standards

- UL 508, Types 4, 12 & 13
- CSA Certified, Types 12 & 13
- NEMA/EEMAC Type 4, 12 & 13
- JIC EL-1-71
- (PB16 & PB25 meet N12 only)

 UL File E64791

 CSA File LL66078

FEATURES-SPECIFICATIONS

Applications

Designed to hold all standard brands of pushbuttons, switches and pilot lights. Provide protection from dust, dirt, oil and water.

Construction

- Bodies and doors fabricated from 14 gauge steel
- Continuously welded seams ground smooth
- Closed cell oil resistant neoprene gasket

- External mounting plates, top and bottom of enclosure
- Captivated cover screws thread into sealed wells
- Standard "4-way" pushbuttons holes accept all brands of oil-tight push buttons, switches and pilot lights
- Enclosures 9.50" x 6.25" x 3.00" and larger have internal detachable hinges to hold cover open during wiring, yet permit quick removal

- Grounding provisions provided

Finish

- ANSI-61 gray polyester powder inside and out over phosphatized surfaces

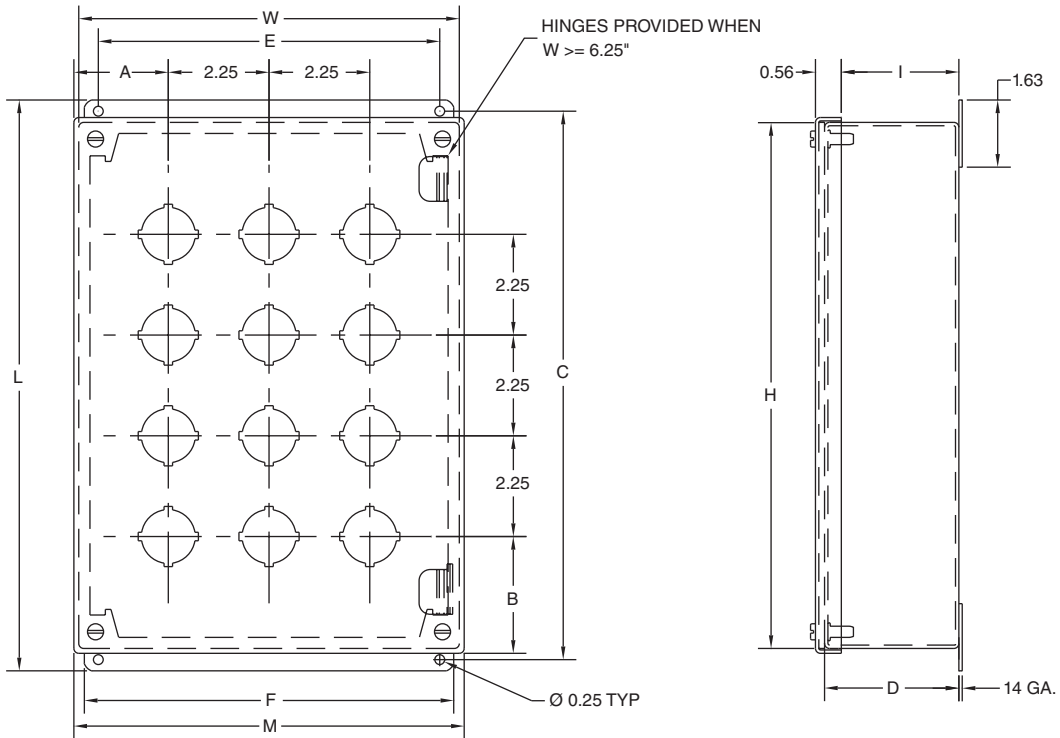
Accessories

- See page E2 for stainless steel PB-SS Series
- PBBC Series, blank covers-no holes (reference tables)
- For accessories, see pages J1-J22

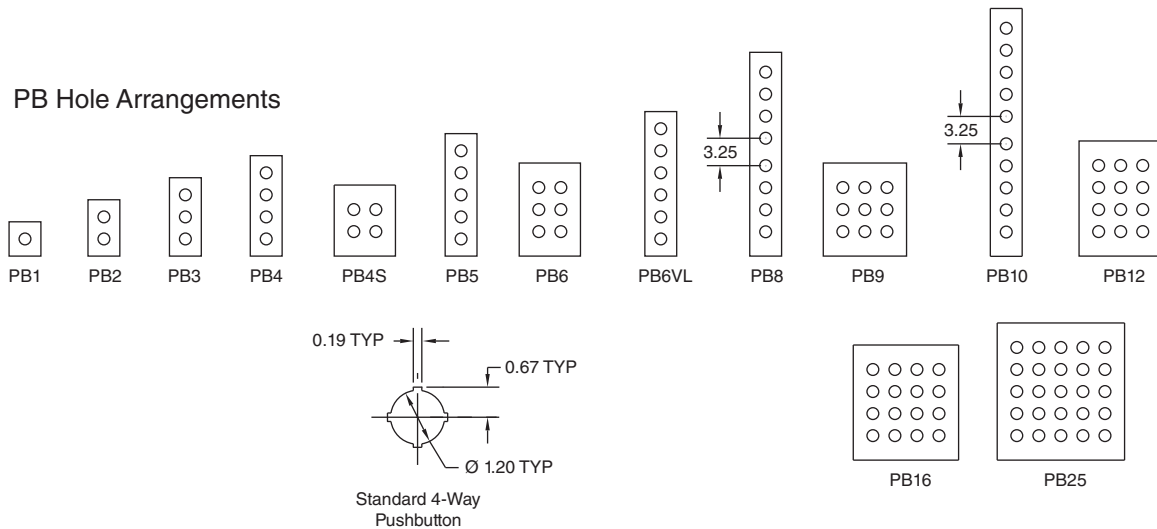
PB SERIES OPERATOR INTERFACE 30.5MM PUSHBUTTON ENCLOSURES

CATALOG NUMBER	BLANK COVER ENCLOSURE CATALOG NO.	BODY/DOOR STEEL GAUGE	ENCLOSURE SIZE H X W X D	MOUNTING C X E	OVERALL L X M	F	I	A	B
PB1	PB1BC	14/14	3.50x3.25x2.81 (89x83x71)	4.00x2.38 (102x60)	4.50x3.56 (114x90)	3.00 (76)	2.41 (61)	1.78 (45)	1.88 (48)
PB2	PB2BC	14/14	5.75x3.25x2.81 (146x83x71)	6.25x2.38 (159x60)	6.75x3.56 (171x90)	3.00 (76)	2.41 (61)	1.78 (45)	1.88 (48)
PB3	PB3BC	14/14	8.00x3.25x2.81 (203x83x71)	8.50x2.38 (216x60)	9.00x3.56 (229x90)	3.00 (76)	2.41 (61)	1.78 (45)	1.88 (48)
PB4	PB4BC	14/14	10.25x3.25x2.81 (260x83x71)	10.75x2.38 (273x60)	11.25x3.56 (286x90)	3.00 (76)	2.41 (61)	1.78 (45)	1.88 (48)
PB4S	PB4SBC	14/14	7.25x6.25x3.09 (184x159x79)	7.75x5.38 (197x137)	8.25x6.56 (210x167)	6.00 (152)	2.69 (68)	2.16 (55)	2.63 (67)
PB5	PB5BC	14/14	12.50x3.25x2.81 (318x83x71)	13.00x2.38 (330x60)	13.50x3.56 (343x90)	3.00 (76)	2.41 (61)	1.78 (45)	1.88 (48)
PB6	PB6BC	14/14	9.50x6.25x3.09 (241x159x79)	10.00x5.38 (254x137)	10.50x6.56 (267x167)	6.00 (152)	2.69 (68)	2.16 (55)	2.63 (67)
PB6VL	PB6VLBC	14/14	14.75x3.25x2.81 (375x83x71)	15.25x2.38 (387x60)	15.75x3.56 (400x90)	3.00 (76)	2.41 (61)	1.78 (45)	1.88 (48)
PB8	PB8BC	14/14	20.25x3.25x2.81 (514x83x71)	20.75x2.38 (527x60)	21.25x3.56 (540x90)	3.00 (76)	2.41 (61)	1.78 (45)	1.88 (48)
PB9	PB9BC	14/14	9.50x8.50x3.09 (241x216x79)	10.00x7.63 (254x194)	10.50x8.81 (267x224)	8.25 (210)	2.69 (68)	2.16 (55)	2.63 (67)
PB10	PB10BC	14/14	24.75x3.25x2.81 (629x83x71)	25.25x2.38 (641x60)	25.75x3.56 (654x90)	3.00 (76)	2.41 (61)	1.78 (45)	1.88 (48)
PB12	PB12BC	14/14	11.75x8.50x3.09 (298x216x79)	12.25x7.63 (311x194)	12.75x8.81 (324x224)	8.25 (210)	2.69 (68)	2.16 (55)	2.63 (67)
PB16**	PB16BC**	14/14	11.75x10.75x3.09 (298x273x79)	12.25x9.88 (311x251)	12.75x11.06 (324x281)	10.50 (267)	2.69 (68)	2.16 (55)	2.63 (67)
PB25**	PB25BC**	14/14	14.00x13.00x3.09 (356x330x79)	14.50x12.13 (368x308)	15.00x13.31 (381x338)	12.75 (324)	2.69 (68)	2.16 (55)	2.63 (67)

** Only meets N12.



PB Hole Arrangements



PART NUMBER	PAGE	PART NUMBER	PAGE	PART NUMBER	PAGE	PART NUMBER	PAGE
NP3624SS	.I4	NP6030G	.C7, C16, D18	P1010G	.C2	PB4BC	.H16-H26
NP3624SSC	.I5	NP6036	.I4	P1206	.I2	PB4S	.H16-H26
NP3630	.I4	NP6036C	.I5	P1206G	.C2	PB4SBC	.H16-H26
NP3630C	.I5	NP6036CG	.D8	P1210	.I2	PB5	.H16-H26
NP3630CG	.D8	NP6036G	.C7, C16, D18	P1210AL	.I2	PB5BC	.H16-H26
NP3630G	.C7, C16, D18	NP6036PP	.B7	P1210G	.C2	PB6	.H16-H26
NP3630PP	.B7	NP6036SS	.I4	P1210SS	.I2	PB6BC	.H16-H26
NP3630SS	.I4	NP6036SSC	.I5	P1212	.I2	PB6VL	.H16-H26
NP3630SSC	.I5	NP7230	.I4	P1212G	.C2	PB6VLBC	.H16-H26
NP3636	.I4	NP7230G	.C7, C16, D18	P1212SS	.I2	PB8	.H16-H26
NP3636C	.I5	NP7236	.I4	P1408	.I2	PB8BC	.H16-H26
NP3636CG	.D8	NP7236G	.C7, C16, D18	P1408G	.C2	PB9	.H16-H26
NP3636G	.C7, C16, D18	NPDD4242	.I7	P1412	.I2	PB9BC	.H16-H26
NP3636PP	.B7	NPDD4242G	.C19, C24	P1412AL	.I2	PBGX1	.H16-H26
NP3636SS	.I4	NPDD4260	.I7	P1412G	.C2	PBGX12	.H16-H26
NP3636SSC	.I5	NPDD4260G	.C19, C24	P1412SS	.I2	PBGX2	.H16-H26
NP3642C	.I5	NPDD4842	.I7	P1610	.I2	PBGX20	.H16-H26
NP3642CG	.D8	NPDD4842G	.C19, C24	P1610G	.C2	PBGX25	.H16-H26
NP4024	.I4	NPDD4848	.I7	P1614	.I2	PBGX3	.H16-H26
NP4024C	.I5	NPDD4848G	.C19, C24	P1614AL	.I2	PBGX4	.H16-H26
NP4024CG	.D8	NPDD5442	.I7	P1614G	.C2	PBGX6	.H16-H26
NP4024G	.C7, C16, D18	NPDD5442G	.C19, C24	P1614SS	.I2	PBGX9	.H16-H26
NP4224	.I4	NPDD6048	.I7	PA0202	.G2	PBSS1	.E2
NP4224G	.C7, C16, D18	NPDD6048G	.C19, C24	PA0202G	.G2	PBSS12	.E2
NP4230	.I4	NPDD6060	.I7	PA0404	.G2	PBSS12A	.E2
NP4230G	.C7, C16, D18	NPDD6060G	.C19, C24	PA0404G	.G2	PBSS1A	.E2
NP4230PP	.B7	NPDD7260	.I7	PA0606	.G2	PBSS2	.E2
NP4230SS	.I4	NPDD7260G	.C19, C24	PA0606G	.G2	PBSS2A	.E2
NP4236	.I4	NPDD7272	.I7	PA0808	.G2	PBSS3	.E2
NP4236C	.I5	NPDD7272G	.C19, C24	PA0808G	.G2	PBSS3A	.E2
NP4236CG	.D8	P0604	.I2	PA1010	.G2	PBSS4	.E2
NP4236G	.C7, C16, D18	P0604AL	.I2	PA1010G	.G2	PBSS4A	.E2
NP4236PP	.B7	P0604G	.C2	PA1212	.G2	PBSS6	.E2
NP4236SS	.I4	P0604SS	.I2	PA1212G	.G2	PBSS6A	.E2
NP4236SSC	.I5	P0606	.I2	PB1	.H16-H26	PBSS9	.E2
NP4824	.I4	P0606AL	.I2	PB10	.H16-H26	PBSS9A	.E2
NP4824C	.I5	P0606G	.C2	PB10BC	.H16-H26	PBXD1	.H16-H26
NP4824CG	.D8	P0606SS	.I2	PB12	.H16-H26	PBXD10	.H16-H26
NP4824G	.C7, C16, D18	P0806	.I2	PB12BC	.H16-H26	PBXD12	.H16-H26
NP4830	.I4	P0806AL	.I2	PB16	.H16-H26	PBXD16	.H16-H26
NP4830G	.C7, C16, D18	P0806G	.C2	PB16BC	.H16-H26	PBXD16SS	.E2
NP4836	.I4	P0806SS	.I2	PB1BC	.H16-H26	PBXD16V	.H16-H26
NP4836C	.I5	P0808	.I2	PB2	.H16-H26	PBXD1SS	.E2
NP4836CG	.D8	P0808G	.C2	PB25	.H16-H26	PBXD2	.H16-H26
NP4836G	.C7, C16, D18	P1008	.I2	PB25BC	.H16-H26	PBXD20	.H16-H26
NP4836PP	.B7	P1008AL	.I2	PB2BC	.H16-H26	PBXD25	.H16-H26
NP4836SS	.I4	P1008G	.C2	PB3	.H16-H26	PBXD2SS	.E2
NP4836SSC	.I5	P1008SS	.I2	PB3BC	.H16-H26	PBXD3	.H16-H26
NP6030	.I4	P1010	.I2	PB4	.H16-H26	PBXD3SS	.E2