

Locking Devices

20 Amp 125V, 250V and 277V AC; 2-Pole 3-Wire Grounding



TECH·SPEC®



70520FR



70520NP



70520NC



70520MB



70520ER



70520MBWP



70204ANA



SINGLE RECEPTACLES

Description	Catalog Number		
Black nylon	70520FR	70620FR	70720FR
Corrosion-resistant; yellow nylon	70520FRCR	—	—
Isolated ground; orange nylon	70520IG	70620IG	—

Note: See section C for more information on isolated ground and section J for more information on corrosion-resistant devices.

TRIPLE GRIPPER® PLUGS Inches (mm)

Description	Cord Diameter	Catalog Number		
Black/white nylon	.300-.950 (7.6-24.1)	70520NP	70620NP	70720NP
All black nylon	.300-.950 (7.6-24.1)	70520NPB	—	—
Corrosion-resistant; yellow/white nylon	.300-.950 (7.6-24.1)	70520NPCR	70620NPCR	—

Note: See section J for more information on corrosion-resistant devices.

TRIPLE GRIPPER® CONNECTORS Inches (mm)

Description	Cord Diameter	Catalog Number		
Black/white nylon	.300-.950 (7.6-24.1)	70520NC	70620NC	70720NC
All black nylon	.300-.950 (7.6-24.1)	70520NCB	—	—
Corrosion-resistant; yellow/white nylon	.300-.950 (7.6-24.1)	70520NCCR	70620NCCR	—

Note: See section J for more information on corrosion-resistant devices.

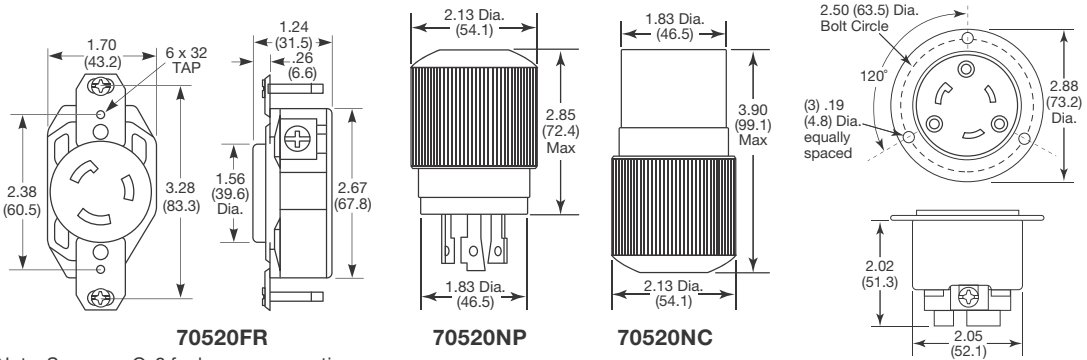
FLANGED DEVICES

Description	Catalog Number		
Male base; white nylon cup	70520MB	70620MB	70720MB
Female equipment receptacle; white nylon cup	70520ER	70620ER	70720ER

WEATHER PROTECTIVE POWER INLETS

Description	Catalog Number		
Weather protective, die cast aluminum plate supplied with gaskets; mounting screws and spring-loaded, self-closing lift cover	70520MBWP	70620MBWP	—

PRODUCT DIMENSIONS Inches (mm)



Note: See page Q-8 for horsepower ratings.

ACCESSORIES

Description	Stainless Steel Wallplate	Nylon Wallplate	Weather Protective Plate	Weather Protective Boot		Nylon Angle Adapter
				Black	Yellow	
Single receptacle	SS720	NP720BK	7420B	—	—	—
Plug	—	—	—	5200BPB*	5200BP*	70204ANA*
Connector	—	—	—	5200BCB*	5200BC*	70204ANA*
Connector sealing cap	—	—	—	5200BSRB*	5200BSR*	—

Note: See section O for additional information on wallplates. See page H-33 for additional information on angle adapters.

*Boots are not UL Listed or CSA Certified. See page H-34 for additional information on boots.