

# RIGID AND IMC FITTINGS

## STEEL - SEALING LOCKNUTS

### Applications

- For use with threaded Rigid/IMC conduit to provide a liquidtight seal against water and oil
- RACO® sealing locknuts may be used with either sheet metal or cast enclosures

### Product Features

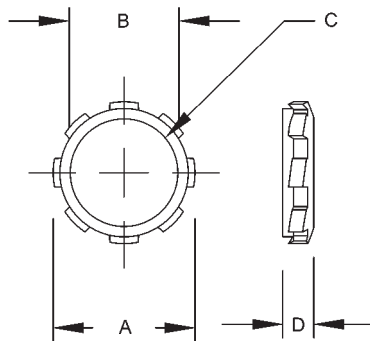
- Fused-in-place gasket guarantees a liquidtight seal
- Use a RACO® sealing locknut as an economical alternative to a threaded enclosure connector
- All steel construction insures mechanical protection
- Zinc electro plated for corrosion protection

### Compliances

-  us



Sealing Locknuts  
Steel



A = O.D.  
B = I.D.  
C = Thread size  
D = Thickness

## ORDERING INFORMATION - DIMENSIONS

SEALING LOCKNUTS - STEEL				
CATALOG NUMBER	TRADE SIZE	UNIT CTN. QTY.	SHIP CTN. QTY.	UPC BAR CODE
1202	1/2"	—	100	—
1203	3/4"	—	100	—
1204	1"	—	50	—
1205	1-1/4"	—	50	—
1206	1-1/2"	—	25	—
1208	2"	—	25	—
1207	2-1/2"	—	30	—
1209	3"	—	25	—
1210	3-1/2"	—	15	—
1211	4"	—	10	—

DIMENSIONS				
CATALOG NUMBER	A	B	C THD. SPEC.	D
1202	1-9/64"	25/32"	1/2"-14 NPT	7/32"
1203	1-25/64"	63/64"	3/4"-14 NPT	15/64"
1204	1-23/32"	1-17/64"	1"-11-1/2 NPT	1/4"
1205	2-5/64"	1-37/64"	1-1/4"-11-1/2 NPT	9/32"
1206	2-3/8"	1-13/16"	1-1/2"-11-1/2 NPT	19/64"
1208	2-29/32"	2-5/16"	2"-11-1/2 NPT	19/64"
1207	3-15/32"	2-51/64"	2-1/2"- 8 NPT	5/16"
1209	4-3/16"	3-27/64"	3"- 8 NPT	3/8"
1210	4-11/16"	3-15/16"	3-1/2"- 8 NPT	3/8"
1211	5-9/32"	4-13/32"	4"- 8 NPT	3/8"