

# RIGID AND IMC FITTINGS

## STEEL - SET SCREW CONNECTORS

### Applications

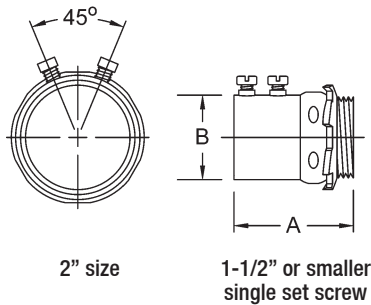
- For use in dry locations to bond unthreaded Rigid/IMC conduit to a box or enclosure
- RACO® steel set screw connectors are suitable for concrete-tight applications when taped

### Production Features

- All steel construction insures mechanical protection for the raceway
- 2-1/2" to 4" trade sizes are also UL Listed for use on EMT conduit, allowing for design and installation flexibility
- All components are zinc electro plated for corrosion protection

### Compliance

-  – Standard 514B



A = Overall length  
B = Body O.D.



Insulated Throat Connectors  
Steel



Uninsulated Connectors  
Steel

RACO COMMERCIAL FITTINGS

## ORDERING INFORMATION - DIMENSIONS

SET SCREW CONNECTORS - STEEL					
UNINSULATED CONNECTOR CATALOG NUMBER	INSULATED CONNECTOR CATALOG NUMBER	TRADE SIZE	UNIT CTN. QTY.	SHIP CTN. QTY.	UPC BAR CODE
3002	—	1/2"	—	25	—
3003	—	3/4"	—	25	—
3004	—	1"	—	10	—
3005	—	1-1/4"	—	5	—
3006	—	1-1/2"	—	5	—
3008	—	2"	—	5	—
2140	2160	2-1/2"	—	5	—
2142	2162RAC	3"	—	1	—
2144	2164	3-1/2"	—	1	—
2146	2166	4"	—	1	—

DIMENSIONS			
INSULATED CONNECTOR CATALOG NUMBER	A	B	THD. SPEC.
3002	1-1/8"	1-1/8"	1/2"-14 NPS
3003	1-1/4"	1-3/8"	3/4"-14 NPS
3004	1-1/2"	1-5/8"	1"-11-1/2 NPS
3005	1-3/4"	2"	1-1/4"-11-1/2 NPS
3006	1-7/8"	2-1/4"	1-1/2"-11-1/2 NPS
3008	2"	2-3/4"	2"-11-1/2 NPS