

# RIGID AND IMC FITTINGS

## MALLEABLE - SHORT ELBOWS

### Applications

- For use with threaded Rigid/IMC conduit
- 90 degree short elbows are ideal for use in tight locations where bending of conduit is not practical

### Product Features

- All malleable construction insures mechanical protection for the raceway
- All components are zinc electroplated for corrosion protection

### Compliance

-  – Standard 514B



90 Degree Short Elbows  
Malleable Iron

RACO COMMERCIAL  
FITTINGS

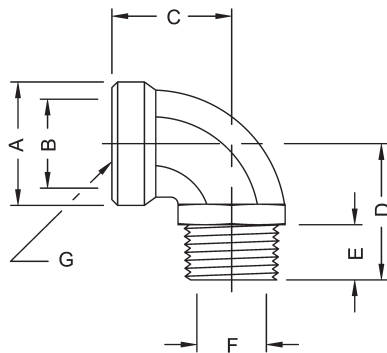
## ORDERING INFORMATION - DIMENSIONS

### 90 DEGREE SHORT ELBOWS - MALLEABLE IRON

CATALOG NUMBER	TRADE SIZE	UNIT CTN. QTY.	SHIP CTN. QTY.	UPC BAR CODE
1722	1/2"	—	50	—
1723	3/4"	—	25	—

### DIMENSIONS

CATALOG NUMBER	A	B	C	D	E	F	G
	THREAD SPEC						
1722	1-5/64"	3/4"	1-1/16"	1-17/32"	1/2"	39/64"	1/2"-14 NPS
1723	1-9/32"	61/64"	1-9/32"	1-15/32"	9/16"	13/16"	3/4"-14 NPS



- A = Hub O.D.
- B = Hub I.D.
- C = Length to end of hub
- D = Length to end of thread
- E = Thread length
- F = Throat I.D.
- G = Thread spec