

**SC SERIES ENCLOSURES
NEMA 1 SCREW COVER WALL-MOUNT**



SC060604
with SCF cover



SC080806G



SC080806NK

Industry Standards

- UL 50, Type 1
- CSA Certified, Type 1 (See Note)
- NEMA/EEMAC Type 1

UL Files E23553

CSA File LL66078

FEATURES-SPECIFICATIONS

Applications

Designed for use as a junction box and pull box in commercial and general industrial applications. Flush covers must be ordered separately for flush mount applications.

Construction

- Fabricated from 16, 14 and 12 gauge steel or G-90 pre-galvanized steel (reference table)
- Flat, removable covers fastened with plated steel screws

- Cover design permits easy removal without extracting cover screws
- Mounting holes on back of box
- Available with or without knockouts. Removable concentric knockouts on all four sides of standard enclosures with knockouts

Finish

- ANSI-61 gray polyester powder inside and out
- Unpainted pre-galvanized steel

Accessories

- See pages J1-J22

Optional Flush Covers

Designed to mount on enclosure for flush installations. 16 or 14 gauge steel (reference table).

- ANSI 61 gray polyester powder finish.
- Unpainted pre-galvanized steel

SC SERIES SCREW COVER PULL BOX ENCLOSURES								
CATALOG NUMBER				BODY/DOOR STEEL GAUGE	COVERS ONLY See Page A5	ENCLOSURE SIZE H+1/8", W+1/8", D+3/16"	KNOCKOUT PATTERN	
PAINTED		GALVANIZED					WIDTH SIDE	HEIGHT SIDE
W/KNOCKOUTS	W/O KNOCKOUTS	W/KNOCKOUTS	W/O KNOCKOUTS					
SC040404*	SC040404NK*	SC040404G*	SC040404GNK*	16/16	Yes	4.00x4.00x4.00 (102x102x102)	A	A
SC040604*	SC040604NK*	SC040604G*	SC040604GNK*	16/16	Yes	6.00x4.00x4.00 (152x102x102)	A	A-B-A
SC060604	SC060604NK	SC060604G	SC060604GNK	16/16	Yes	6.00x6.00x4.00 (152x152x102)	A-B-A	A-B-A
SC060804	SC060804NK	SC060804G	SC060804GNK	16/16	Yes	8.00x6.00x4.00 (203x152x102)	A-B-A	A-B-A
SC061204	SC061204NK	SC061204G	SC061204GNK	16/16	Yes	12.00x6.00x4.00 (305x152x102)	A-B-A	B-A-F-F-A-B
SC080804	SC080804NK	SC080804G	SC080804GNK	16/16	Yes	8.00x8.00x4.00 (203x203x102)	A-B-A	A-B-A
SC081004	SC081004NK	SC081004G	SC081004GNK	16/16	Yes	10.00x8.00x4.00 (254x203x102)	A-B-A	B-A-F-F-A
SC081204	SC081204NK	SC081204G	SC081204GNK	16/16	Yes	12.00x8.00x4.00 (305x203x102)	A-B-A	B-A-F-F-A-B
SC101004	SC101004NK	SC101004G	SC101004GNK	16/16	Yes	10.00x10.00x4.00 (254x254x102)	B-A-F-F-A	B-A-F-F-A
SC101204	SC101204NK	SC101204G	SC101204GNK	16/16	Yes	12.00x10.00x4.00 (305x254x102)	B-A-F-F-A	B-A-F-F-A-B
SC121204	SC121204NK	SC121204G	SC121204GNK	16/16	Yes	12.00x12.00x4.00 (305x305x102)	B-A-F-F-A-B	B-A-F-F-A-B
SC121504	SC121504NK	SC121504G	SC121504GNK	16/16	Yes	15.00x12.00x4.00 (381x305x102)	B-A-F-F-A-B	A-B-A-F-F-A-B-A

*Not UL Listed.

Continued on page A3

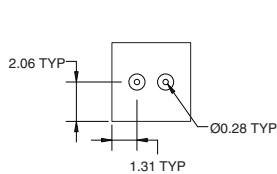
**SC SERIES ENCLOSURES
NEMA 1 SCREW COVER WALL-MOUNT**

SC SERIES SCREW COVER PULL BOX ENCLOSURES (CONT.)								
CATALOG NUMBER				BODY/DOOR STEEL GAUGE	COVERS ONLY See Page A5	ENCLOSURE SIZE H- $\frac{1}{8}$ ", W- $\frac{1}{8}$ ", D- $\frac{3}{16}$ "	KNOCKOUT PATTERN	
PAINTED		GALVANIZED					WIDTH SIDE	HEIGHT SIDE
W/KNOCKOUTS	W/O KNOCKOUTS	W/KNOCKOUTS	W/O KNOCKOUTS					
SC121804	SC121804NK	SC121804G	SC121804GNK	16/16	Yes	18.00x12.00x4.00 (457x305x102)	B-A-F-F-A-B	A-B-A-F-F-A-B-A
SC122404	SC122404NK	SC122404G	SC122404GNK	16/16	Yes	24.00x12.00x4.00 (610x305x102)	B-A-F-F-A-B	A-B-A-F-F-A-B-A
SC151504	SC151504NK	SC151504G	SC151504GNK	16/16	Yes	15.00x15.00x4.00 (381x381x102)	A-B-A-F-F-A-B-A	A-B-A-F-F-A-B-A
SC151804	SC151804NK	SC151804G	SC151804GNK	16/16	Yes	18.00x15.00x4.00 (457x381x102)	A-B-A-F-F-A-B-A	A-B-A-F-F-A-B-A
SC181804	SC181804NK	SC181804G	SC181804GNK	16/16	Yes	18.00x18.00x4.00 (457x457x102)	A-B-A-F-F-A-B-A	A-B-A-F-F-A-B-A
SC182404	SC182404NK	SC182404G	SC182404GNK	16/16	Yes	24.00x18.00x4.00 (610x457x102)	A-B-A-F-F-A-B-A	A-B-A-F-F-A-B-A
SC183004	SC183004NK	SC183004G	SC183004GNK	16/16	Yes	30.00x18.00x4.00 (762x457x102)	A-B-A-F-F-A-B-A	A-B-A-F-F-A-B-A
SC242404	SC242404NK	SC242404G	SC242404GNK	14/14	Yes	24.00x24.00x4.00 (610x610x102)	A-B-A-F-F-A-B-A	A-B-A-F-F-A-B-A
SC060606	SC060606NK	SC060606G	SC060606GNK	16/16	Yes	6.00x6.00x6.00 (152x152x152)	A-B-A	A-B-A
SC060806	SC060806NK	SC060806G	SC060806GNK	16/16	Yes	8.00x6.00x6.00 (203x152x152)	A-B-A	A-B-A
SC061206	SC061206NK	SC061206G	SC061206GNK	16/16	Yes	12.00x6.00x6.00 (305x152x152)	A-B-A	B-A-F-F-A-B
SC080806	SC080806NK	SC080806G	SC080806GNK	16/16	Yes	8.00x8.00x6.00 (203x203x152)	A-B-A	A-B-A
SC081006	SC081006NK	SC081006G	SC081006GNK	16/16	Yes	10.00x8.00x6.00 (254x203x152)	A-B-A	B-A-F-F-A
SC081206	SC081206NK	SC081206G	SC081206GNK	16/16	Yes	12.00x8.00x6.00 (305x203x152)	A-B-A	B-A-F-F-A-B
SC101006	SC101006NK	SC101006G	SC101006GNK	16/16	Yes	10.00x10.00x6.00 (254x254x152)	B-A-F-F-A	B-A-F-F-A
SC101206	SC101206NK	SC101206G	SC101206GNK	16/16	Yes	12.00x10.00x6.00 (305x254x152)	B-A-F-F-A	B-A-F-F-A-B
SC121206	SC121206NK	SC121206G	SC121206GNK	16/16	Yes	12.00x12.00x6.00 (305x305x152)	B-A-F-F-A-B	B-A-F-F-A-B
SC121506	SC121506NK	SC121506G	SC121506GNK	16/16	Yes	15.00x12.00x6.00 (381x305x152)	B-A-F-F-A-B	A-B-A-F-F-A-B-A
SC121806	SC121806NK	SC121806G	SC121806GNK	16/16	Yes	18.00x12.00x6.00 (457x305x152)	B-A-F-F-A-B	A-B-A-F-F-A-B-A
SC122406	SC122406NK	SC122406G	SC122406GNK	16/16	Yes	24.00x12.00x6.00 (610x305x152)	B-A-F-F-A-B	A-B-A-F-F-A-B-A

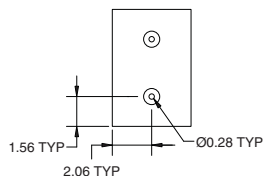
Note: Must specify CSA Label when ordering.
Consult factory for dimensions and drawings
on 8", 10" and 12" deep enclosures.

Note: 8", 10" and 12" deep
enclosures do not have mounting
embosses in back of enclosure,
only mounting holes.

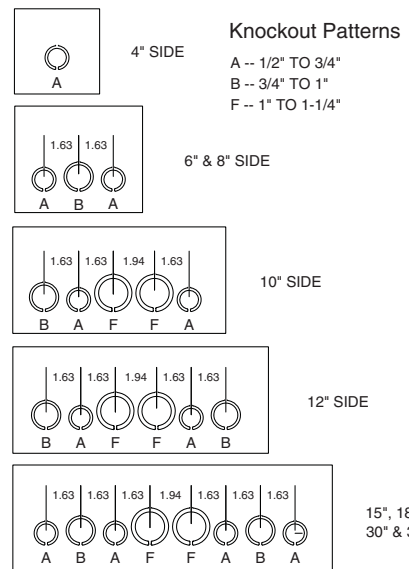
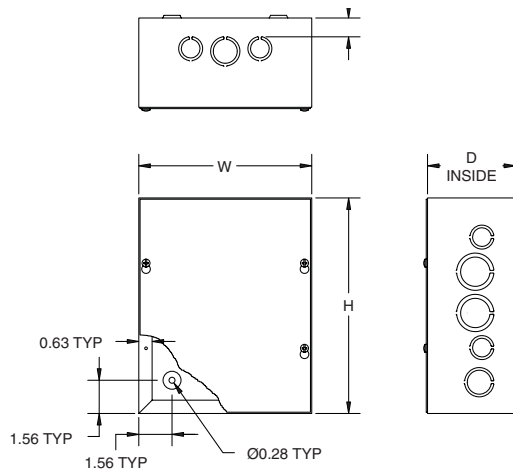
Continued on page A4



4.00" X 4.00" MOUNTING



4.00" X 6.00" MOUNTING



15", 18", 24",
30" & 36" SIDE.

PART NUMBER	PAGE	PART NUMBER	PAGE	PART NUMBER	PAGE	PART NUMBER	PAGE
SC151804GNK	A2	SC182412G	A2	SC243608G	A2	SCF1212	A2-A5
SC151804NK	A2	SC182412GNK	A2	SC243608GNK	A2	SCF1212G	A2-A5
SC151806	A2	SC182412NK	A2	SC243608NK	A2	SCF1215	A2-A5
SC151806G	A2	SC1824G	A5	SC243610	A2	SCF1215G	A2-A5
SC151806GNK	A2	SC1830	A5	SC243610G	A2	SCF1216	A2-A5
SC151806NK	A2	SC183004	A2	SC243610GNK	A2	SCF1216G	A2-A5
SC1518G	A5	SC183004G	A2	SC243610NK	A2	SCF1218	A2-A5
SC1616	A5	SC183004GNK	A2	SC243612	A2	SCF1218G	A2-A5
SC1616G	A5	SC183004NK	A2	SC243612G	A2	SCF1224	A2-A5
SC1818	A5	SC1830G	A5	SC243612GNK	A2	SCF1224G	A2-A5
SC181804	A2	SC2424	A5	SC243612NK	A2	SCF1515	A2-A5
SC181804G	A2	SC242404	A2	SC303008GNK	A2	SCF1515G	A2-A5
SC181804GNK	A2	SC242404G	A2	SC303008NK	A2	SCF1518	A2-A5
SC181804NK	A2	SC242404GNK	A2	SC303010GNK	A2	SCF1518G	A2-A5
SC181806	A2	SC242404NK	A2	SC303010NK	A2	SCF1616	A2-A5
SC181806G	A2	SC242406	A2	SC303012GNK	A2	SCF1616G	A2-A5
SC181806GNK	A2	SC242406G	A2	SC303012NK	A2	SCF1818	A2-A5
SC181806NK	A2	SC242406GNK	A2	SC303608GNK	A2	SCF1818G	A2-A5
SC181808	A2	SC242406NK	A2	SC303608NK	A2	SCF1824	A2-A5
SC181808G	A2	SC242408	A2	SC303610GNK	A2	SCF1824G	A2-A5
SC181808GNK	A2	SC242408G	A2	SC303610NK	A2	SCF1830	A2-A5
SC181808NK	A2	SC242408GNK	A2	SC303612GNK	A2	SCF1830G	A2-A5
SC181810	A2	SC242408NK	A2	SC303612NK	A2	SCF2424	A2-A5
SC181810G	A2	SC242410	A2	SC363608GNK	A2	SCF2424G	A2-A5
SC181810GNK	A2	SC242410G	A2	SC363608NK	A2	SDN12202108	F3-F5
SC181810NK	A2	SC242410GNK	A2	SC363610GNK	A2	SDN12202108PL	F3-F5
SC181812	A2	SC242410NK	A2	SC363610NK	A2	SDN12202110	F3-F5
SC181812G	A2	SC242412	A2	SC363612GNK	A2	SDN12202110PL	F3-F5
SC181812GNK	A2	SC242412G	A2	SC363612NK	A2	SDN12242108	F3-F5
SC181812NK	A2	SC242412GNK	A2	SCF0404	A2-A5	SDN12242108PL	F3-F5
SC1818G	A5	SC242412NK	A2	SCF0404G	A2-A5	SDN12242110	F3-F5
SC1824	A5	SC2424G	A5	SCF0406	A2-A5	SDN12242110PL	F3-F5
SC182404	A2	SC243006	A2	SCF0406G	A2-A5	SDN12242508	F3-F5
SC182404G	A2	SC243006G	A2	SCF0606	A2-A5	SDN12242508PL	F3-F5
SC182404GNK	A2	SC243006GNK	A2	SCF0606G	A2-A5	SDN12242510	F3-F5
SC182404NK	A2	SC243006NK	A2	SCF0608	A2-A5	SDN12242510PL	F3-F5
SC182406	A2	SC243008	A2	SCF0608G	A2-A5	SDN12302108	F3-F5
SC182406G	A2	SC243008G	A2	SCF0612	A2-A5	SDN12302108PL	F3-F5
SC182406GNK	A2	SC243008GNK	A2	SCF0612G	A2-A5	SDN12302110	F3-F5
SC182406NK	A2	SC243008NK	A2	SCF0808	A2-A5	SDN12302110PL	F3-F5
SC182408	A2	SC243010	A2	SCF0808G	A2-A5	SDN12302508	F3-F5
SC182408G	A2	SC243010G	A2	SCF0810	A2-A5	SDN12302508PL	F3-F5
SC182408GNK	A2	SC243010GNK	A2	SCF0810G	A2-A5	SDN12302510	F3-F5
SC182408NK	A2	SC243010NK	A2	SCF0812	A2-A5	SDN12302510PL	F3-F5
SC182410	A2	SC243012	A2	SCF0812G	A2-A5	SDN12302612	F3-F5
SC182410G	A2	SC243012G	A2	SCF1010	A2-A5	SDN12302612PL	F3-F5
SC182410GNK	A2	SC243012GNK	A2	SCF1010G	A2-A5	SDN12362508	F3-F5
SC182410NK	A2	SC243012NK	A2	SCF1012	A2-A5	SDN12362508PL	F3-F5
SC182412	A2	SC243608	A2	SCF1012G	A2-A5	SDN12362510	F3-F5