

**SC SERIES ENCLOSURES  
NEMA 1 SCREW COVER WALL-MOUNT**



**SC060604**  
with SCF cover



**SC080806G**



**SC080806NK**

**Industry Standards**

- UL 50, Type 1
- CSA Certified, Type 1 (See Note)
- NEMA/EEMAC Type 1

UL Files E23553

CSA File LL66078

**FEATURES-SPECIFICATIONS**

**Applications**

Designed for use as a junction box and pull box in commercial and general industrial applications. Flush covers must be ordered separately for flush mount applications.

**Construction**

- Fabricated from 16, 14 and 12 gauge steel or G-90 pre-galvanized steel (reference table)
- Flat, removable covers fastened with plated steel screws

- Cover design permits easy removal without extracting cover screws
- Mounting holes on back of box
- Available with or without knockouts. Removable concentric knockouts on all four sides of standard enclosures with knockouts

**Finish**

- ANSI-61 gray polyester powder inside and out
- Unpainted pre-galvanized steel

**Accessories**

- See pages J1-J22

**Optional Flush Covers**

Designed to mount on enclosure for flush installations. 16 or 14 gauge steel (reference table).

- ANSI 61 gray polyester powder finish.
- Unpainted pre-galvanized steel

SC SERIES SCREW COVER PULL BOX ENCLOSURES								
CATALOG NUMBER				BODY/DOOR STEEL GAUGE	COVERS ONLY See Page A5	ENCLOSURE SIZE H+1/8", W+1/8", D+3/16"	KNOCKOUT PATTERN	
PAINTED		GALVANIZED					WIDTH SIDE	HEIGHT SIDE
W/KNOCKOUTS	W/O KNOCKOUTS	W/KNOCKOUTS	W/O KNOCKOUTS					
SC040404*	SC040404NK*	SC040404G*	SC040404GNK*	16/16	Yes	4.00x4.00x4.00 (102x102x102)	A	A
SC040604*	SC040604NK*	SC040604G*	SC040604GNK*	16/16	Yes	6.00x4.00x4.00 (152x102x102)	A	A-B-A
SC060604	SC060604NK	SC060604G	SC060604GNK	16/16	Yes	6.00x6.00x4.00 (152x152x102)	A-B-A	A-B-A
SC060804	SC060804NK	SC060804G	SC060804GNK	16/16	Yes	8.00x6.00x4.00 (203x152x102)	A-B-A	A-B-A
SC061204	SC061204NK	SC061204G	SC061204GNK	16/16	Yes	12.00x6.00x4.00 (305x152x102)	A-B-A	B-A-F-F-A-B
SC080804	SC080804NK	SC080804G	SC080804GNK	16/16	Yes	8.00x8.00x4.00 (203x203x102)	A-B-A	A-B-A
SC081004	SC081004NK	SC081004G	SC081004GNK	16/16	Yes	10.00x8.00x4.00 (254x203x102)	A-B-A	B-A-F-F-A
SC081204	SC081204NK	SC081204G	SC081204GNK	16/16	Yes	12.00x8.00x4.00 (305x203x102)	A-B-A	B-A-F-F-A-B
SC101004	SC101004NK	SC101004G	SC101004GNK	16/16	Yes	10.00x10.00x4.00 (254x254x102)	B-A-F-F-A	B-A-F-F-A
SC101204	SC101204NK	SC101204G	SC101204GNK	16/16	Yes	12.00x10.00x4.00 (305x254x102)	B-A-F-F-A	B-A-F-F-A-B
SC121204	SC121204NK	SC121204G	SC121204GNK	16/16	Yes	12.00x12.00x4.00 (305x305x102)	B-A-F-F-A-B	B-A-F-F-A-B
SC121504	SC121504NK	SC121504G	SC121504GNK	16/16	Yes	15.00x12.00x4.00 (381x305x102)	B-A-F-F-A-B	A-B-A-F-F-A-B-A

\*Not UL Listed.

Continued on page A3

# SC SERIES ENCLOSURES NEMA 1 SCREW COVER WALL-MOUNT

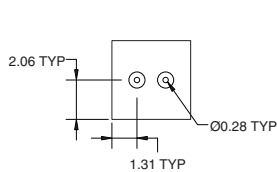
**A3**

SC SERIES SCREW COVER PULL BOX ENCLOSURES (CONT.)								
CATALOG NUMBER				BODY/DOOR STEEL GAUGE	COVERS ONLY See Page A5	ENCLOSURE SIZE H- $\frac{1}{8}$ ", W- $\frac{1}{8}$ ", D- $\frac{3}{16}$ "	KNOCKOUT PATTERN	
PAINTED		GALVANIZED					WIDTH SIDE	HEIGHT SIDE
W/KNOCKOUTS	W/O KNOCKOUTS	W/KNOCKOUTS	W/O KNOCKOUTS					
SC121804	SC121804NK	SC121804G	SC121804GNK	16/16	Yes	18.00x12.00x4.00 (457x305x102)	B-A-F-F-A-B	A-B-A-F-F-A-B-A
SC122404	SC122404NK	SC122404G	SC122404GNK	16/16	Yes	24.00x12.00x4.00 (610x305x102)	B-A-F-F-A-B	A-B-A-F-F-A-B-A
SC151504	SC151504NK	SC151504G	SC151504GNK	16/16	Yes	15.00x15.00x4.00 (381x381x102)	A-B-A-F-F-A-B-A	A-B-A-F-F-A-B-A
SC151804	SC151804NK	SC151804G	SC151804GNK	16/16	Yes	18.00x15.00x4.00 (457x381x102)	A-B-A-F-F-A-B-A	A-B-A-F-F-A-B-A
SC181804	SC181804NK	SC181804G	SC181804GNK	16/16	Yes	18.00x18.00x4.00 (457x457x102)	A-B-A-F-F-A-B-A	A-B-A-F-F-A-B-A
SC182404	SC182404NK	SC182404G	SC182404GNK	16/16	Yes	24.00x18.00x4.00 (610x457x102)	A-B-A-F-F-A-B-A	A-B-A-F-F-A-B-A
SC183004	SC183004NK	SC183004G	SC183004GNK	16/16	Yes	30.00x18.00x4.00 (762x457x102)	A-B-A-F-F-A-B-A	A-B-A-F-F-A-B-A
SC242404	SC242404NK	SC242404G	SC242404GNK	14/14	Yes	24.00x24.00x4.00 (610x610x102)	A-B-A-F-F-A-B-A	A-B-A-F-F-A-B-A
SC060606	SC060606NK	SC060606G	SC060606GNK	16/16	Yes	6.00x6.00x6.00 (152x152x152)	A-B-A	A-B-A
SC060806	SC060806NK	SC060806G	SC060806GNK	16/16	Yes	8.00x6.00x6.00 (203x152x152)	A-B-A	A-B-A
SC061206	SC061206NK	SC061206G	SC061206GNK	16/16	Yes	12.00x6.00x6.00 (305x152x152)	A-B-A	B-A-F-F-A-B
SC080806	SC080806NK	SC080806G	SC080806GNK	16/16	Yes	8.00x8.00x6.00 (203x203x152)	A-B-A	A-B-A
SC081006	SC081006NK	SC081006G	SC081006GNK	16/16	Yes	10.00x8.00x6.00 (254x203x152)	A-B-A	B-A-F-F-A
SC081206	SC081206NK	SC081206G	SC081206GNK	16/16	Yes	12.00x8.00x6.00 (305x203x152)	A-B-A	B-A-F-F-A-B
SC101006	SC101006NK	SC101006G	SC101006GNK	16/16	Yes	10.00x10.00x6.00 (254x254x152)	B-A-F-F-A	B-A-F-F-A
SC101206	SC101206NK	SC101206G	SC101206GNK	16/16	Yes	12.00x10.00x6.00 (305x254x152)	B-A-F-F-A	B-A-F-F-A-B
SC121206	SC121206NK	SC121206G	SC121206GNK	16/16	Yes	12.00x12.00x6.00 (305x305x152)	B-A-F-F-A-B	B-A-F-F-A-B
SC121506	SC121506NK	SC121506G	SC121506GNK	16/16	Yes	15.00x12.00x6.00 (381x305x152)	B-A-F-F-A-B	A-B-A-F-F-A-B-A
SC121806	SC121806NK	SC121806G	SC121806GNK	16/16	Yes	18.00x12.00x6.00 (457x305x152)	B-A-F-F-A-B	A-B-A-F-F-A-B-A
SC122406	SC122406NK	SC122406G	SC122406GNK	16/16	Yes	24.00x12.00x6.00 (610x305x152)	B-A-F-F-A-B	A-B-A-F-F-A-B-A

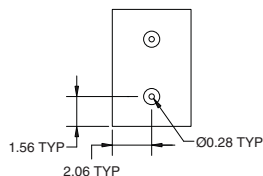
Note: Must specify CSA Label when ordering.  
Consult factory for dimensions and drawings  
on 8", 10" and 12" deep enclosures.

Note: 8", 10" and 12" deep  
enclosures do not have mounting  
embosses in back of enclosure,  
only mounting holes.

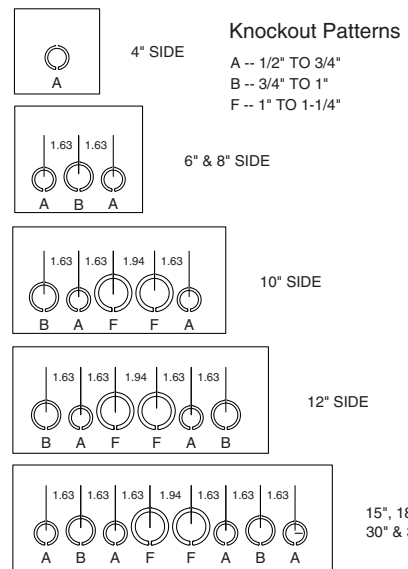
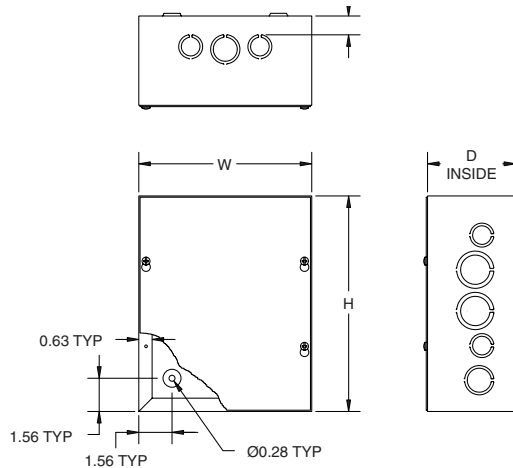
Continued on page A4



4.00" X 4.00" MOUNTING



4.00" X 6.00" MOUNTING



15", 18", 24",  
30" & 36" SIDE.

PART NUMBER	PAGE	PART NUMBER	PAGE	PART NUMBER	PAGE	PART NUMBER	PAGE
S8848NK	G2	SC061206NK	A2	SC101204GNK	A2	SC121804NK	A2
S8860	G2	SC0612G	A5	SC101204NK	A2	SC121806	A2
S8860G	G2	SC0808	A5	SC101206	A2	SC121806G	A2
S8860GNK	G2	SC080804	A2	SC101206G	A2	SC121806GNK	A2
S8860NK	G2	SC080804G	A2	SC101206GNK	A2	SC121806NK	A2
S8872	G2	SC080804GNK	A2	SC101206NK	A2	SC121808	A2
S8872G	G2	SC080804NK	A2	SC1012G	A5	SC121808G	A2
S8872GNK	G2	SC080806	A2	SC1212	A5	SC121808GNK	A2
S8872NK	G2	SC080806G	A2	SC121204	A2	SC121808NK	A2
SC0404	A5	SC080806GNK	A2	SC121204G	A2	SC121810	A2
SC040404	A2	SC080806NK	A2	SC121204GNK	A2	SC121810G	A2
SC040404G	A2	SC080808	A2	SC121204NK	A2	SC121810GNK	A2
SC040404GNK	A2	SC080808G	A2	SC121206	A2	SC121810NK	A2
SC040404NK	A2	SC080808GNK	A2	SC121206G	A2	SC1218G	A5
SC0404G	A5	SC080808NK	A2	SC121206GNK	A2	SC1224	A5
SC0406	A5	SC0808G	A5	SC121206NK	A2	SC122404	A2
SC040604	A2	SC0810	A5	SC121208	A2	SC122404G	A2
SC040604G	A2	SC081004	A2	SC121208G	A2	SC122404GNK	A2
SC040604GNK	A2	SC081004G	A2	SC121208GNK	A2	SC122404NK	A2
SC040604NK	A2	SC081004GNK	A2	SC121208NK	A2	SC122406	A2
SC0406G	A5	SC081004NK	A2	SC121210	A2	SC122406G	A2
SC0606	A5	SC081006	A2	SC121210G	A2	SC122406GNK	A2
SC060604	A2	SC081006G	A2	SC121210GNK	A2	SC122406NK	A2
SC060604G	A2	SC081006GNK	A2	SC121210NK	A2	SC122408	A2
SC060604GNK	A2	SC081006NK	A2	SC121212	A2	SC122408G	A2
SC060604NK	A2	SC0810G	A5	SC121212G	A2	SC122408GNK	A2
SC060606	A2	SC0812	A5	SC121212GNK	A2	SC122408NK	A2
SC060606G	A2	SC081204	A2	SC121212NK	A2	SC122410	A2
SC060606GNK	A2	SC081204G	A2	SC1212G	A5	SC122410G	A2
SC060606NK	A2	SC081204GNK	A2	SC1215	A5	SC122410GNK	A2
SC0606G	A5	SC081204NK	A2	SC121504	A2	SC122410NK	A2
SC0608	A5	SC081206	A2	SC121504G	A2	SC122412	A2
SC060804	A2	SC081206G	A2	SC121504GNK	A2	SC122412G	A2
SC060804G	A2	SC081206GNK	A2	SC121504NK	A2	SC122412GNK	A2
SC060804GNK	A2	SC081206NK	A2	SC121506	A2	SC122412NK	A2
SC060804NK	A2	SC0812G	A5	SC121506G	A2	SC1224G	A5
SC060806	A2	SC1010	A5	SC121506GNK	A2	SC1515	A5
SC060806G	A2	SC101004	A2	SC121506NK	A2	SC151504	A2
SC060806GNK	A2	SC101004G	A2	SC1215G	A5	SC151504G	A2
SC060806NK	A2	SC101004GNK	A2	SC1216	A5	SC151504GNK	A2
SC0608G	A5	SC101004NK	A2	SC121608	A2	SC151504NK	A2
SC0612	A5	SC101006	A2	SC121608G	A2	SC151506	A2
SC061204	A2	SC101006G	A2	SC121608GNK	A2	SC151506G	A2
SC061204G	A2	SC101006GNK	A2	SC121608NK	A2	SC151506GNK	A2
SC061204GNK	A2	SC101006NK	A2	SC1216G	A5	SC151506NK	A2
SC061204NK	A2	SC1010G	A5	SC1218	A5	SC1515G	A5
SC061206	A2	SC1012	A5	SC121804	A2	SC1518	A5
SC061206G	A2	SC101204	A2	SC121804G	A2	SC151804	A2
SC061206GNK	A2	SC101204G	A2	SC121804GNK	A2	SC151804G	A2