

**Malleable-Straps Application**

- For use in mounting EMT conduit in wet or dry locations

**Steel – Straps Application**

- For use in mounting EMT conduit


**Malleable – Straps Product Features**

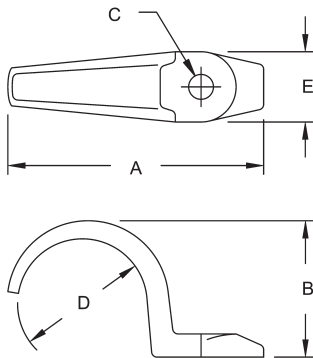
- All malleable construction insures mechanical protection
- Oversized bolt holes make alignment of the fastener quick and easy
- All straps are zinc electro plated for corrosion protection

**Steel-Straps Product Feature**

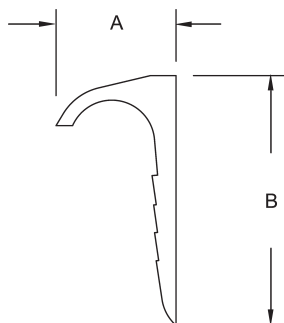
- Stamped steel straps are pregalvanized for added corrosion protection

**Steel-Straps Compliance**

-  us – (2252-2253)



A = Overall length  
 B = Height  
 C = Hole size  
 D = Diameter  
 E = Width of strap



A = Width of strap  
 B = Height of strap



One Hole Straps  
Malleable Iron



Nail-up Straps  
Stamped Steel

**ORDERING INFORMATION - DIMENSIONS**

**ONE HOLE STRAPS - MALLEABLE IRON**

CATALOG NUMBER	TRADE SIZE	UNIT CTN. QTY.	SHIP CTN. QTY.	UPC BAR CODE
1310	2-1/2"	—	10	—
1312	3"	—	10	—
1314	3-1/2"	—	5	—
1316	4"	—	5	—

**DIMENSIONS**

CATALOG NUMBER	A	B	C	D	E
1310	5-3/8"	3-1/32"	35/64"	2-7/8"	1-5/16"
1312	6-39/64"	3-25/32"	9/16"	3-1/2"	1-31/64"
1314	7-7/8"	4-13/32"	45/64"	4"	2"
1316	8-15/64"	4-27/32"	3/4"	4-1/2"	2"

**NAIL-UP STRAPS STAMPED - STEEL**

CATALOG NUMBER	TRADE SIZE	UNIT CTN. QTY.	SHIP CTN. QTY.	UPC BAR CODE
2252	1/2"	100	1000	—
2253	3/4"	100	1000	—
2254	1"	100	1000	—

**DIMENSIONS**

CATALOG NUMBER	A	B
2252	1-1/16"	2-3/16"
2253	1-1/4"	2-19/64"
2254	1-1/2"	2-13/32"