

**N1C SERIES ENCLOSURES
"MEDIUM" NEMA 1 HINGED WALL-MOUNT**

A11

"MEDIUM" N1C SERIES HINGE COVER ENCLOSURES												
CATALOG NUMBER	BODY/DOOR STEEL GAUGE	ENCLOSURE SIZE H X W X D	BACK PANEL CATALOG NUMBER**	PERFORATED SUBPANEL PART NUMBER**	BACK PANEL SIZE A X B	BACK PANEL STEEL GAUGE	E	F	G	I	K	L
N1C121606LP*	14/14	16.00x12.00x6.75 (406x305x171)	N1P1216L	N1P1216LPP	13.00x10.50 (330x267)	14	13.88 (352)	7.00 (178)	2.50 (64)	1.06 (27)	5.974 (152)	1.50 (38)
N1C161606LP*	14/14	16.00x16.00x6.75 (406x406x171)	N1P1616	N1P1616PP	13.00x14.50 (330x368)	14	13.88 (352)	11.00 (279)	2.50 (64)	1.06 (27)	5.974 (152)	1.50 (38)
N1C162006LP*	14/14	20.00x16.00x6.75 (508x406x171)	N1P1620	N1P1620PP	17.00x14.50 (432x368)	14	17.88 (454)	11.00 (279)	2.50 (64)	1.06 (27)	5.974 (152)	1.50 (38)
N1C162406LP*	14/14	24.00x16.00x6.75 (610x406x171)	N1P1624	N1P1624PP	21.00x14.50 (533x368)	14	21.88 (556)	11.00 (279)	2.50 (64)	1.06 (27)	5.974 (152)	1.50 (38)
N1C201606LP*	14/14	16.00x20.00x6.75 (406x508x171)	N1P2016	N1P2016PP	13.00x18.50 (330x470)	14	13.88 (352)	15.00 (381)	2.50 (64)	1.06 (27)	5.974 (152)	1.50 (38)
N1C202006LP*	14/14	20.00x20.00x6.75 (508x508x171)	N1P2020	N1P2020PP	17.00x18.50 (432x470)	14	17.88 (454)	15.00 (381)	2.50 (64)	1.06 (27)	5.974 (152)	1.50 (38)
N1C202406LP*	14/14	24.00x20.00x6.75 (610x508x171)	N1P2024	N1P2024PP	21.00x18.50 (533x470)	14	21.88 (556)	15.00 (381)	2.50 (64)	1.06 (27)	5.974 (152)	1.50 (38)
N1C242406LP*	14/14	24.00x24.00x6.75 (610x610x171)	N1P2424	N1P2424PP	21.00x22.50 (533x572)	12	21.88 (556)	19.00 (483)	2.50 (64)	1.06 (27)	5.952 (151)	1.50 (38)
N1C203006LP*	14/14	30.00x20.00x6.63 (762x508x168)	N1P2030	N1P2030PP	26.00x18.50 (660x470)	12	27.50 (699)	12.75 (324)	3.63 (92)	1.25 (32)	5.827 (148)	2.00 (51)
N1C243006LP	14/14	30.00x24.00x6.63 (762x610x168)	N1P2430	N1P2430PP	26.00x22.50 (660x572)	12	27.50 (699)	16.75 (425)	3.63 (92)	1.25 (32)	5.827 (148)	2.00 (51)
N1C243606LP	14/14	36.00x24.00x6.63 (914x610x168)	N1P2436	N1P2436PP	32.00x22.50 (813x572)	12	33.50 (851)	16.75 (425)	3.63 (92)	1.25 (32)	5.827 (148)	2.00 (51)
N1C303606LP	14/14	36.00x30.00x6.63 (914x762x168)	N1P3036	N1P3036PP	32.00x28.50 (813x724)	12	33.50 (851)	22.75 (578)	3.63 (92)	1.25 (32)	5.827 (148)	2.00 (51)
N1C121608LP*	14/14	16.00x12.00x8.75 (406x305x222)	N1P1216L	N1P1216LPP	13.00x10.50 (330x267)	14	13.88 (352)	7.00 (178)	2.50 (64)	1.06 (27)	7.974 (203)	1.50 (38)
N1C162008LP*	14/14	20.00x16.00x8.75 (508x406x222)	N1P1620	N1P1620PP	17.00x14.50 (432x368)	14	17.88 (454)	11.00 (279)	2.50 (64)	1.06 (27)	7.974 (203)	1.50 (38)
N1C202008LP*	14/14	20.00x20.00x8.75 (508x508x222)	N1P2020	N1P2020PP	17.00x18.50 (432x470)	14	17.88 (454)	15.00 (381)	2.50 (64)	1.06 (27)	7.974 (203)	1.50 (38)
N1C202408LP*	14/14	24.00x20.00x8.75 (610x508x222)	N1P2024	N1P2024PP	21.00x18.50 (533x470)	14	21.88 (556)	15.00 (381)	2.50 (64)	1.06 (27)	7.974 (203)	1.50 (38)
N1C242008LP*	14/14	20.00x24.00x8.75 (508x610x222)	N1P2420	N1P2420PP	17.00x22.50 (432x572)	14	17.88 (454)	19.00 (483)	2.50 (64)	1.06 (27)	7.974 (203)	1.50 (38)
N1C242408LP*	14/14	24.00x24.00x8.75 (610x610x222)	N1P2424	N1P2424PP	21.00x22.50 (533x572)	12	21.88 (556)	19.00 (483)	2.50 (64)	1.06 (27)	7.952 (202)	1.50 (38)
N1C243008LP	14/14	30.00x24.00x8.63 (762x610x219)	N1P2430	N1P2430PP	26.00x22.50 (660x572)	12	27.50 (699)	16.75 (425)	3.63 (92)	1.25 (32)	7.827 (199)	2.00 (51)
N1C303008LP	14/14	30.00x30.00x8.63 (762x762x219)	N1P3030	N1P3030PP	26.00x28.50 (660x724)	12	27.50 (699)	22.75 (578)	3.63 (92)	1.25 (32)	7.827 (199)	2.00 (51)
N1C243608LP	14/14	36.00x24.00x8.63 (914x610x219)	N1P2436	N1P2436PP	32.00x22.50 (813x572)	12	33.50 (851)	16.75 (425)	3.63 (92)	1.25 (32)	7.827 (199)	2.00 (51)
N1C303608LP	14/14	36.00x30.00x8.63 (914x762x219)	N1P3036	N1P3036PP	32.00x28.50 (813x724)	12	33.50 (851)	22.75 (578)	3.63 (92)	1.25 (32)	7.827 (199)	2.00 (51)
N1C202410LP*	14/14	24.00x20.00x10.75 (610x508x273)	N1P2024	N1P2024PP	21.00x18.50 (533x470)	14	21.88 (556)	15.00 (381)	2.50 (64)	1.06 (27)	9.974 (253)	1.50 (38)
N1C243010LP	14/14	30.00x24.00x10.63 (762x610x270)	N1P2430	N1P2430PP	26.00x22.50 (660x572)	12	27.50 (699)	16.75 (425)	3.63 (92)	1.25 (32)	9.827 (250)	2.00 (51)
N1C242412LP*	14/14	24.00x24.00x12.75 (610x610x324)	N1P2424	N1P2424PP	21.00x22.50 (533x572)	12	21.88 (556)	19.00 (483)	2.50 (64)	1.06 (27)	11.952 (304)	1.50 (38)
N1C243012LP	14/14	30.00x24.00x12.63 (762x610x321)	N1P2430	N1P2430PP	26.00x22.50 (660x572)	12	27.50 (699)	16.75 (425)	3.63 (92)	1.25 (32)	11.827 (300)	2.00 (51)
N1C303612LP	14/14	36.00x30.00x12.63 (914x762x321)	N1P3036	N1P3036PP	32.00x28.50 (813x724)	12	33.50 (851)	22.75 (578)	3.63 (92)	1.25 (32)	11.827 (300)	2.00 (51)

*See note 1 on the drawing.

**Back panels must be ordered separately

NOTE: Second numerical value of catalog # represents height.

**N1P SERIES BACK PANELS
ACCESSORY PANELS FOR LARGE NIC & RHC ENCLOSURES**



N1P1216L



N1P1216L

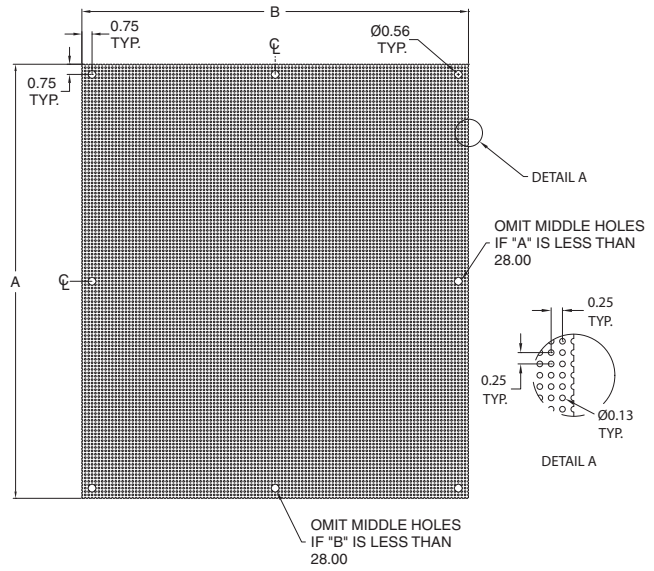
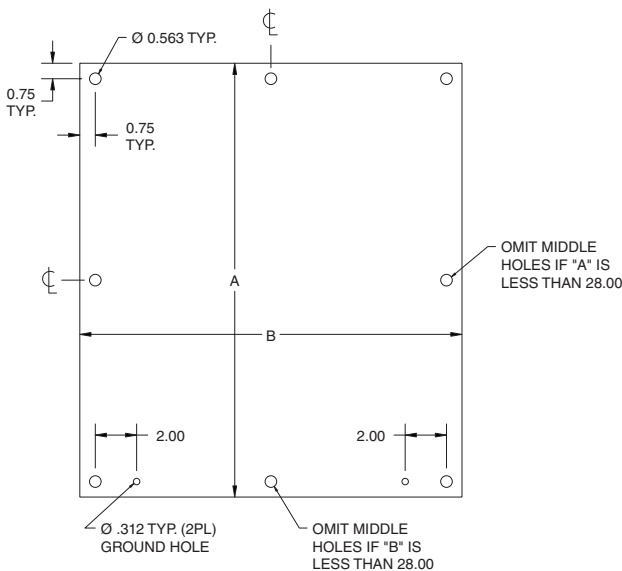
FEATURES-SPECIFICATIONS

Description

- 14 & 12 gauge (non-perforated)
- White polyester powder
- Panels fit the following enclosures:
 - NEMA 1 Medium (NIC)
- Perforated steel panels are 14 gauge
- Accept self-tapping screws - eliminates the need to measure, mark and drill when mounting components
- Panels are used for mounting light-weight control components

BACK PANELS FOR LARGE NIC & RHC ENCLOSURES			
CATALOG NUMBER		GAUGE	PANEL SIZE A X B
PAINTED	PERFORATED		
N1P1216L	N1P1216LPP	14	13.00x10.50 (330x267)
N1P1616	N1P1616PP	14	13.00x14.50 (330x368)
N1P1620	N1P1620PP	14	17.00x14.50 (432x368)
N1P2016	N1P2016PP	14	13.00x18.50 (330x470)
N1P2020	N1P2020PP	14	17.00x18.50 (432x470)
N1P1624	N1P1624PP	14	21.00x14.50 (533x368)
N1P2024	N1P2024PP	14	21.00x18.50 (533x470)
N1P2424	N1P2424PP*	12	21.00x22.50 (533x572)
N1P2030	N1P2030PP*	12	26.00x18.50 (660x470)
N1P2436	N1P2436PP*	12	32.00x22.50 (813x572)
N1P3036	N1P3036PP*	12	32.00x28.50 (813x724)
N1P2420	N1P2420PP	14	17.00x22.50 (432x572)
N1P2430	N1P2430PP*	12	26.00x22.50 (660x572)
N1P3030	N1P3030PP*	12	26.00x28.50 (660x724)
N1P3036	N1P3036PP*	12	32.00x28.50 (813x724)

*Perforated panels are formed on four sides.



PART NUMBER	PAGE	PART NUMBER	PAGE	PART NUMBER	PAGE	PART NUMBER	PAGE
N1P1624PP	A11	N41214TSS3	J2-J19	N412161210SSC	D16-E19	N412201606CLG	D8
N1P2016	A11	N41214TTH	J2-J19	N412161210WC	D8-D11	N412201606CST	D16
N1P2016PP	A11	N41214TTH3	J2-J19	N412161210WCLG	D11	N412201606SS	OBSOLETE
N1P2020	A11	N41214TTH3KL	J2-J19	N412161210WSSC	D16-E19	N412201606SS3PTC	E21-E22
N1P2020PP	A11	N41214TTHKL	J2-J19	N412161606	OBSOLETE	N412201606SSA	OBSOLETE
N1P2024	A11	N41214TTRI	J2-J19	N4121616063PTC	D14	N412201606SSA3PTC	E21-E22
N1P2024PP	A11	N41214TTRI3	J2-J19	N412161606C	D8-D11	N412201606SSAC	D16-E19
N1P2030	A11	N41214TTRIK	J2-J19	N412161606CLG	D8	N412201606SSC	D16-E19
N1P2030PP	A11	N41214TVP	J2-J19	N412161606SS	OBSOLETE	N412201606W	OBSOLETE
N1P2420	A11	N41214TVP3	J2-J19	N412161606SS3PTC	E21-E22	N412201606WC	D8-D11
N1P2420PP	A11	N41214TVPK	J2-J19	N412161606SSA	OBSOLETE	N412201606WCLG	D11
N1P2424	A11	N41214TW	J2-J19	N412161606SSA3PTC	E21-E22	N412201606WSS	OBSOLETE
N1P2424PP	A11	N41214TW3	J2-J19	N412161606SSAC	D16-E19	N412201606WSSC	D16-E19
N1P2430	A11	N41214TWPL	J2-J19	N412161606SSC	D16-E19	N412201608	OBSOLETE
N1P2430PP	A11	N41214TWPL3	J2-J19	N412161608	OBSOLETE	N4122016083PTC	D14
N1P2436	A11	N412161206	OBSOLETE	N4121616083PTC	D14	N412201608C	D8-D11
N1P2436PP	A11	N4121612063PTC	D14	N412161608C	D8-D11	N412201608CLG	D8
N1P3030	A11	N412161206C	D8-D11	N412161608CLG	D8	N412201608CSSST	E24
N1P3030PP	A11	N412161206CLG	D8	N412161608CSSST	E24	N412201608CST	D16
N1P3036	A11	N412161206CST	D16	N412161608CST	D16	N412201608SS	OBSOLETE
N1P3036PP	A11	N412161206SS	OBSOLETE	N412161608SS	OBSOLETE	N412201608SS3PTC	E21-E22
N412121206	OBSOLETE	N412161206SS3PTC	E21-E22	N412161608SS3PTC	E21-E22	N412201608SSA	OBSOLETE
N4121212063PTC	D14	N412161206SSA	OBSOLETE	N412161608SSA	OBSOLETE	N412201608SSA3PTC	E21-E22
N412121206C	D8-D11	N412161206SSA3PTC	E21-E22	N412161608SSA3PTC	E21-E22	N412201608SSAC	D16-E19
N412121206CLG	D8	N412161206SSAC	D16-E19	N412161608SSAC	D16-E19	N412201608SSC	D16-E19
N412121206CST	D16	N412161206SSC	D16-E19	N412161608SSC	D16-E19	N412201608W	OBSOLETE
N412121206SS	OBSOLETE	N412161206W	OBSOLETE	N412161610C	D8-D11	N412201608WC	D8-D11
N412121206SS3PTC	E21-E22	N412161206WC	D8-D11	N412161610CLG	D8	N412201608WCLG	D11
N412121206SSA	OBSOLETE	N412161206WCLG	D11	N412161610SSC	D16-E19	N412201608WSS	OBSOLETE
N412121206SSA3PTC	E21-E22	N412161206WSS	OBSOLETE	N412162006	OBSOLETE	N412201608WSSC	D16-E19
N412121206SSAC	D16-E19	N412161206WSSC	D16-E19	N4121620063PTC	D14	N412201610C	D8-D11
N412121206SSC	D16-E19	N412161208	OBSOLETE	N412162006C	D8-D11	N412201610CLG	D8
N412121206W	OBSOLETE	N4121612083PTC	D14	N412162006CLG	D8	N412201610SSC	D16-E19
N412121206WC	D8-D11	N412161208C	D8-D11	N412162008	OBSOLETE	N412201610WC	D8-D11
N412121206WCLG	D11	N412161208CLG	D8	N4121620083PTC	D14	N412201610WCLG	D11
N412121206WSS	OBSOLETE	N412161208CSSST	E24	N412162008C	D8-D11	N412201610WSSC	D16-E19
N412121206WSSC	D16-E19	N412161208SS	OBSOLETE	N412162008CLG	D8	N412201612CSSST	E24
N412121208W	OBSOLETE	N412161208SS3PTC	E21-E22	N412162008SS	OBSOLETE	N412202006	OBSOLETE
N412121208WC	D8-D11	N412161208SSA	OBSOLETE	N412162008SS3PTC	E21-E22	N4122020063PTC	D14
N412121208WCLG	D11	N412161208SSA3PTC	E21-E22	N412162008SSA	OBSOLETE	N412202006C	D8-D11
N41214SQ	J2-J19	N412161208SSAC	D16-E19	N412162008SSA3PTC	E21-E22	N412202006CLG	D8
N41214SQ3	J2-J19	N412161208SSC	D16-E19	N412162008SSAC	D16-E19	N412202006CST	D16
N41214SQK	J2-J19	N412161208W	OBSOLETE	N412162008SSC	D16-E19	N412202006SS	OBSOLETE
N41214T	J2-J19	N412161208WC	D8-D11	N412162010C	D8-D11	N412202006SS3PTC	E21-E22
N41214T3	J2-J19	N412161208WCLG	D11	N412162010CLG	D8	N412202006SSA	OBSOLETE
N41214TB	J2-J19	N412161208WSS	OBSOLETE	N412162010SSC	D16-E19	N412202006SSA3PTC	E21-E22
N41214TB3	J2-J19	N412161208WSSC	D16-E19	N412201606	OBSOLETE	N412202006SSAC	D16-E19
N41214TBKL	J2-J19	N412161210C	D8-D11	N4122016063PTC	D14	N412202006SSC	D16-E19
N41214TSS	J2-J19	N412161210CLG	D8	N412201606C	D8-D11	N412202006W	OBSOLETE