



N1C161606LP

Industry Standards

UL 50, Type 1

CSA Certified, Type 1

NEMA/EEMAC Type 1

UL File E6924

CSA File LL66078

FEATURES-SPECIFICATIONS

Applications

Designed for use in control and instrumentation applications in areas which do not require oil-tight and dust-tight specifications.

Construction

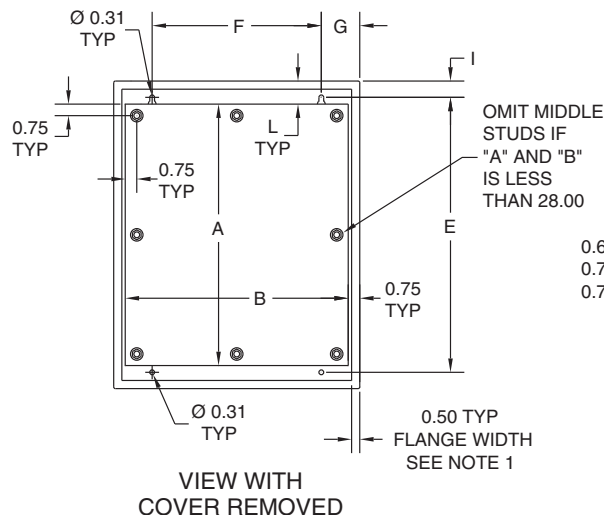
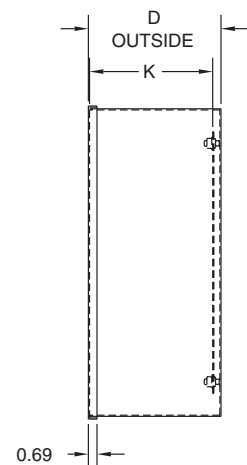
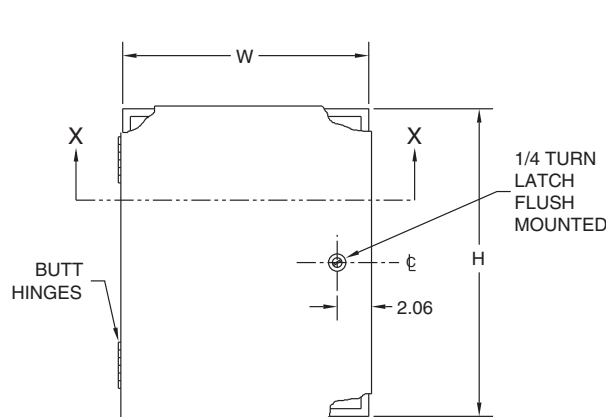
- Bodies and doors fabricated from 14 gauge steel
- Mounting holes on back of cabinet
- Collar studs provided for mounting optional back panel
- Doors furnished standard with flushmount quarter-turn style latch
- Doors secured by butt hinges
- Grounding provisions provided

Finish

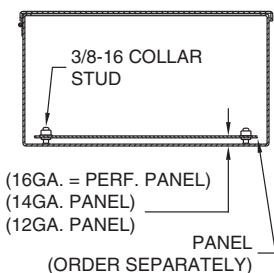
- ANSI-61 gray polyester powder inside and out
- **Optional** back panels are white polyester powder
- **Optional** perforated subpanels are painted white polyester powder

Accessories

- Back panels (reference tables) and page I6
- See pages J1-J22



SECTION X-X



0.683 (16GA. = PERF. PANEL)
0.705 (14GA. PANEL)
0.727 (12GA. PANEL)

Notes:

1. Cat. #'s denoted by an asterisk (*) include a flange only on the latch side.

**N1C SERIES ENCLOSURES
"MEDIUM" NEMA 1 HINGED WALL-MOUNT**

A11

"MEDIUM" N1C SERIES HINGE COVER ENCLOSURES												
CATALOG NUMBER	BODY/DOOR STEEL GAUGE	ENCLOSURE SIZE H X W X D	BACK PANEL CATALOG NUMBER**	PERFORATED SUBPANEL PART NUMBER**	BACK PANEL SIZE A X B	BACK PANEL STEEL GAUGE	E	F	G	I	K	L
N1C121606LP*	14/14	16.00x12.00x6.75 (406x305x171)	N1P1216L	N1P1216LPP	13.00x10.50 (330x267)	14	13.88 (352)	7.00 (178)	2.50 (64)	1.06 (27)	5.974 (152)	1.50 (38)
N1C161606LP*	14/14	16.00x16.00x6.75 (406x406x171)	N1P1616	N1P1616PP	13.00x14.50 (330x368)	14	13.88 (352)	11.00 (279)	2.50 (64)	1.06 (27)	5.974 (152)	1.50 (38)
N1C162006LP*	14/14	20.00x16.00x6.75 (508x406x171)	N1P1620	N1P1620PP	17.00x14.50 (432x368)	14	17.88 (454)	11.00 (279)	2.50 (64)	1.06 (27)	5.974 (152)	1.50 (38)
N1C162406LP*	14/14	24.00x16.00x6.75 (610x406x171)	N1P1624	N1P1624PP	21.00x14.50 (533x368)	14	21.88 (556)	11.00 (279)	2.50 (64)	1.06 (27)	5.974 (152)	1.50 (38)
N1C201606LP*	14/14	16.00x20.00x6.75 (406x508x171)	N1P2016	N1P2016PP	13.00x18.50 (330x470)	14	13.88 (352)	15.00 (381)	2.50 (64)	1.06 (27)	5.974 (152)	1.50 (38)
N1C202006LP*	14/14	20.00x20.00x6.75 (508x508x171)	N1P2020	N1P2020PP	17.00x18.50 (432x470)	14	17.88 (454)	15.00 (381)	2.50 (64)	1.06 (27)	5.974 (152)	1.50 (38)
N1C202406LP*	14/14	24.00x20.00x6.75 (610x508x171)	N1P2024	N1P2024PP	21.00x18.50 (533x470)	14	21.88 (556)	15.00 (381)	2.50 (64)	1.06 (27)	5.974 (152)	1.50 (38)
N1C242406LP*	14/14	24.00x24.00x6.75 (610x610x171)	N1P2424	N1P2424PP	21.00x22.50 (533x572)	12	21.88 (556)	19.00 (483)	2.50 (64)	1.06 (27)	5.952 (151)	1.50 (38)
N1C203006LP*	14/14	30.00x20.00x6.63 (762x508x168)	N1P2030	N1P2030PP	26.00x18.50 (660x470)	12	27.50 (699)	12.75 (324)	3.63 (92)	1.25 (32)	5.827 (148)	2.00 (51)
N1C243006LP	14/14	30.00x24.00x6.63 (762x610x168)	N1P2430	N1P2430PP	26.00x22.50 (660x572)	12	27.50 (699)	16.75 (425)	3.63 (92)	1.25 (32)	5.827 (148)	2.00 (51)
N1C243606LP	14/14	36.00x24.00x6.63 (914x610x168)	N1P2436	N1P2436PP	32.00x22.50 (813x572)	12	33.50 (851)	16.75 (425)	3.63 (92)	1.25 (32)	5.827 (148)	2.00 (51)
N1C303606LP	14/14	36.00x30.00x6.63 (914x762x168)	N1P3036	N1P3036PP	32.00x28.50 (813x724)	12	33.50 (851)	22.75 (578)	3.63 (92)	1.25 (32)	5.827 (148)	2.00 (51)
N1C121608LP*	14/14	16.00x12.00x8.75 (406x305x222)	N1P1216L	N1P1216LPP	13.00x10.50 (330x267)	14	13.88 (352)	7.00 (178)	2.50 (64)	1.06 (27)	7.974 (203)	1.50 (38)
N1C162008LP*	14/14	20.00x16.00x8.75 (508x406x222)	N1P1620	N1P1620PP	17.00x14.50 (432x368)	14	17.88 (454)	11.00 (279)	2.50 (64)	1.06 (27)	7.974 (203)	1.50 (38)
N1C202008LP*	14/14	20.00x20.00x8.75 (508x508x222)	N1P2020	N1P2020PP	17.00x18.50 (432x470)	14	17.88 (454)	15.00 (381)	2.50 (64)	1.06 (27)	7.974 (203)	1.50 (38)
N1C202408LP*	14/14	24.00x20.00x8.75 (610x508x222)	N1P2024	N1P2024PP	21.00x18.50 (533x470)	14	21.88 (556)	15.00 (381)	2.50 (64)	1.06 (27)	7.974 (203)	1.50 (38)
N1C242008LP*	14/14	20.00x24.00x8.75 (508x610x222)	N1P2420	N1P2420PP	17.00x22.50 (432x572)	14	17.88 (454)	19.00 (483)	2.50 (64)	1.06 (27)	7.974 (203)	1.50 (38)
N1C242408LP*	14/14	24.00x24.00x8.75 (610x610x222)	N1P2424	N1P2424PP	21.00x22.50 (533x572)	12	21.88 (556)	19.00 (483)	2.50 (64)	1.06 (27)	7.952 (202)	1.50 (38)
N1C243008LP	14/14	30.00x24.00x8.63 (762x610x219)	N1P2430	N1P2430PP	26.00x22.50 (660x572)	12	27.50 (699)	16.75 (425)	3.63 (92)	1.25 (32)	7.827 (199)	2.00 (51)
N1C303008LP	14/14	30.00x30.00x8.63 (762x762x219)	N1P3030	N1P3030PP	26.00x28.50 (660x724)	12	27.50 (699)	22.75 (578)	3.63 (92)	1.25 (32)	7.827 (199)	2.00 (51)
N1C243608LP	14/14	36.00x24.00x8.63 (914x610x219)	N1P2436	N1P2436PP	32.00x22.50 (813x572)	12	33.50 (851)	16.75 (425)	3.63 (92)	1.25 (32)	7.827 (199)	2.00 (51)
N1C303608LP	14/14	36.00x30.00x8.63 (914x762x219)	N1P3036	N1P3036PP	32.00x28.50 (813x724)	12	33.50 (851)	22.75 (578)	3.63 (92)	1.25 (32)	7.827 (199)	2.00 (51)
N1C202410LP*	14/14	24.00x20.00x10.75 (610x508x273)	N1P2024	N1P2024PP	21.00x18.50 (533x470)	14	21.88 (556)	15.00 (381)	2.50 (64)	1.06 (27)	9.974 (253)	1.50 (38)
N1C243010LP	14/14	30.00x24.00x10.63 (762x610x270)	N1P2430	N1P2430PP	26.00x22.50 (660x572)	12	27.50 (699)	16.75 (425)	3.63 (92)	1.25 (32)	9.827 (250)	2.00 (51)
N1C242412LP*	14/14	24.00x24.00x12.75 (610x610x324)	N1P2424	N1P2424PP	21.00x22.50 (533x572)	12	21.88 (556)	19.00 (483)	2.50 (64)	1.06 (27)	11.952 (304)	1.50 (38)
N1C243012LP	14/14	30.00x24.00x12.63 (762x610x321)	N1P2430	N1P2430PP	26.00x22.50 (660x572)	12	27.50 (699)	16.75 (425)	3.63 (92)	1.25 (32)	11.827 (300)	2.00 (51)
N1C303612LP	14/14	36.00x30.00x12.63 (914x762x321)	N1P3036	N1P3036PP	32.00x28.50 (813x724)	12	33.50 (851)	22.75 (578)	3.63 (92)	1.25 (32)	11.827 (300)	2.00 (51)

*See note 1 on the drawing.

**Back panels must be ordered separately

NOTE: Second numerical value of catalog # represents height.

PART NUMBER	PAGE	PART NUMBER	PAGE	PART NUMBER	PAGE	PART NUMBER	PAGE
LOH202008	B8	N12302408	C16	N12606010	C21	N1C202410LP	A10
LOH242008	B8	N12302410	C16	N12606012	C21	N1C203006LP	A10
LOH242408	B8	N12302412	C16	N12606016	C21	N1C242008LP	A10
LOH302408	B8	N12302416	C16	N12606024	C21	N1C242406LP	A10
MM08600-4	K24-K42	N12302420	C16	N12723012	C16	N1C242408LP	A10
MM08601-5	K24-K42	N12302424	C16	N12723016	C16	N1C242412LP	A10
MM08602-7	K24-K42	N12303008	C16	N12723612	C16	N1C243006LP	A10
MM08608-10	K24-K42	N12303012	C16	N12726010	C21	N1C243008LP	A10
N12122406	C16	N12303608	C16	N12726012	C21	N1C243010LP	A10
N12122408	C16	N12362406	C16	N12726016	C21	N1C243012LP	A10
N12161206	C16	N12362408	C16	N12726020	C21	N1C243606LP	A10
N12161208	C16	N12362410	C16	N12726024	C21	N1C243608LP	A10
N12161210	C16	N12362412	C16	N12727210	C21	N1C303008LP	A10
N12161606	C16	N12363006	C16	N12727212	C21	N1C303606LP	A10
N12161608	C16	N12363008	C16	N12727216	C21	N1C303608LP	A10
N12162006	C16	N12363010	C16	N12727220	C21	N1C303612LP	A10
N12162008	C16	N12363012	C16	N12727224	C21	N1C304209	A12
N12201206	C16	N12363016	C16	N1C060604	A8	N1C304213	A12
N12201208	C16	N12363020	C16	N1C060804	A8	N1C364209	A12
N12201606	C16	N12363608	C16	N1C060806	A8	N1C364809	A12
N12201608	C16	N12363612	C16	N1C080804	A8	N1C364811	A12
N12201610	C16	N12422408	C16	N1C080806	A8	N1C364817	A12
N12201612	C16	N12423008	C16	N1C081004	A8	N1P0606	I3
N12202006	C16	N12423010	C16	N1C081006	A8	N1P0606PP	I3
N12202008	C16	N12423012	C16	N1C101004	A8	N1P0608	I3
N12202010	C16	N12423608	C16	N1C101006	A8	N1P0608PP	I3
N12202406	C16	N12423610	C16	N1C101204	A8	N1P0808	I3
N12202408	C16	N12423612	C16	N1C101206	A8	N1P0808PP	I3
N12241206	C16	N12423616	C16	N1C121204	A8	N1P0810	I3
N12241208	C16	N12482408	C16	N1C121206	A8	N1P0810PP	I3
N12241210	C16	N12483008	C16	N1C121208	A8	N1P1010	I3
N12241606	C16	N12483010	C16	N1C121404	A8	N1P1010PP	I3
N12241608	C16	N12483608	C16	N1C121406	A8	N1P1012	I3
N12242006	C16	N12483610	C16	N1C121408	A8	N1P1012PP	I3
N12242008	C16	N12483612	C16	N1C121606LP	A8	N1P1212	I3
N12242010	C16	N12483616	C16	N1C121606S	A8	N1P1212PP	I3
N12242012	C16	N12483620	C16	N1C121608LP	A8	N1P1214	I3
N12242016	C16	N12544208	C21	N1C122006	A8	N1P1214PP	I3
N12242406	C16	N12603608	C16	N1C14T	J2-J19	N1P1216	I3
N12242408	C16	N12603610	C16	N1C14TKL	J2-J19	N1P1216PP	I3
N12242410	C16	N12603612	C16	N1C161606LP	A10	N1P1216L	A11
N12242412	C16	N12603616	C16	N1C162006LP	A10	N1P1216LPP	A11
N12242416	C16	N12603620	C16	N1C162008LP	A10	N1P1220	I3
N12243008	C16	N12604808	C21	N1C162406LP	A10	N1P1220PP	I3
N12301606	C16	N12604810	C21	N1C201606LP	A10	N1P1616	A11
N12302006	C16	N12604812	C21	N1C202006LP	A10	N1P1616PP	A11
N12302008	C16	N12604816	C21	N1C202008LP	A10	N1P1620	A11
N12302010	C16	N12604820	C21	N1C202406LP	A10	N1P1620PP	A11
N12302406	C16	N12604824	C21	N1C202408LP	A10	N1P1624	A11