

N4 SERIES ENCLOSURES NEMA 4 SINGLE DOOR WALL-MOUNT



N4161206

Industry Standards

UL 508, Types 4, 12 & 13
CSA Certified, Types 4 & 12
NEMA/EEMAC Type 4, 12 & 13

 UL Files E64791

 CSA File LL66078

FEATURES-SPECIFICATIONS

Applications

Intended for use in housing electrical and electronic controls, instruments, components, and associated wiring, these enclosures incorporate hinged doors which provide convenient access. Designed for indoor or outdoor use in protecting components from dust, dirt, oil, and hose directed water.

Construction

- Bodies and doors fabricated from 14 gauge steel
- Continuously plasma welded seams
- Door and body stiffeners are provided in larger enclosures for extra rigidity

- Rolled lip on three sides of door and all sides of enclosure opening is provided to exclude liquids and contaminants
- Quick and easy to operate stainless steel door clamps are provided
- Doors are removable by pulling stainless steel continuous hinge pin
- Hasp and staple for padlocking
- Print pocket is provided
- Doors are sealed with poured-in-place polyurethane gasket**
- Collar studs provided for mounting optional back panels
- External mounting feet for mounting enclosure

- Grounding provisions provided
- Optional back panels must be ordered separately

Finish

- ANSI-61 polyester powder inside and outside
- Optional back panels are white polyester powder
- Optional "G" panels have a conductive finish (See page I4)

Accessories

- Back panels (reference tables)
- See pages J1-J22

N4 SERIES SINGLE DOOR ENCLOSURES								
CATALOG NUMBER	BODY/DOOR STEEL GAUGE	ENCLOSURE SIZE H X W X D	BACK PANEL CATALOG NUMBER*		BACK PANEL SIZE A X B	STIFFENER		E
			WHITE	"G"		DOOR	BODY	
N4161206	14/14	16.00x12.00x6.00 (406x305x152)	NP1612	NP1612G	13.00x9.00 (330x229)	No	No	—
N4161606	14/14	16.00x16.00x6.00 (406x406x152)	NP1616	NP1616G	13.00x13.00 (330x330)	No	No	—
N4162006	14/14	16.00x20.00x6.00 (406x508x152)	NP2016	NP2016G	13.00x17.00 (330x432)	No	No	—
N4201606	14/14	20.00x16.00x6.00 (508x406x152)	NP2016	NP2016G	17.00x13.00 (432x330)	No	No	—
N4202006	14/14	20.00x20.00x6.00 (508x508x152)	NP2020	NP2020G	17.00x17.00 (432x432)	No	No	—
N4241206	14/14	24.00x12.00x6.00 (610x305x152)	NP2412	NP2412G	21.00x9.00 (533x229)	No	No	4.313 (110)
N4241606	14/14	24.00x16.00x6.00 (610x406x152)	NP2416	NP2416G	21.00x13.00 (533x330)	No	No	4.313 (110)
N4242006	14/14	24.00x20.00x6.00 (610x508x152)	NP2420	NP2420G	21.00x17.00 (533x432)	No	No	4.313 (110)
N4242406	14/14	24.00x24.00x6.00 (610x610x152)	NP2424	NP2424G	21.00x21.00 (533x533)	No	No	4.313 (110)
N4302006	14/14	30.00x20.00x6.00 (762x508x152)	NP3020	NP3020G	27.00x17.00 (686x432)	No	No	5.813 (148)
N4302406	14/14	30.00x24.00x6.00 (762x610x152)	NP3024	NP3024G	27.00x21.00 (686x533)	No	No	5.813 (148)
N4362406	14/14	36.00x24.00x6.00 (914x610x152)	NP3624	NP3624G	33.00x21.00 (838x533)	No	No	7.313 (186)
N4161208	14/14	16.00x12.00x8.00 (406x305x203)	NP1612	NP1612G	13.00x9.00 (330x229)	No	No	—
N4201608	14/14	20.00x16.00x8.00 (508x406x203)	NP2016	NP2016G	17.00x13.00 (432x330)	No	No	—
N4202008	14/14	20.00x20.00x8.00 (508x508x203)	NP2020	NP2020G	17.00x17.00 (432x432)	No	No	—
N4202408	14/14	20.00x24.00x8.00 (508x610x203)	NP2420	NP2420G	21.00x17.00 (533x432)	No	No	—
N4242008	14/14	24.00x20.00x8.00 (610x508x203)	NP2420	NP2420G	21.00x17.00 (533x432)	No	No	4.313 (110)
N4242408	14/14	24.00x24.00x8.00 (610x610x203)	NP2424	NP2424G	21.00x21.00 (533x533)	No	No	4.313 (110)

*Back panels must be ordered separately.

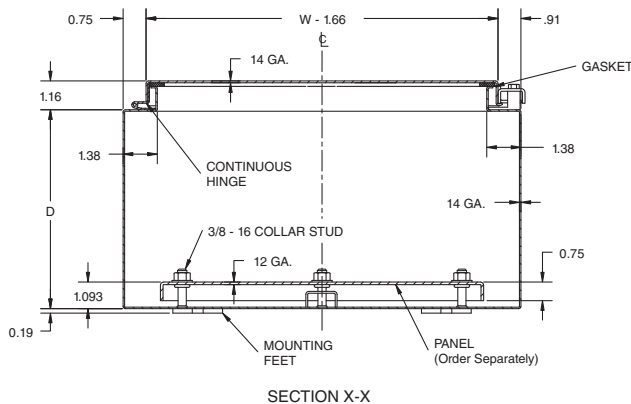
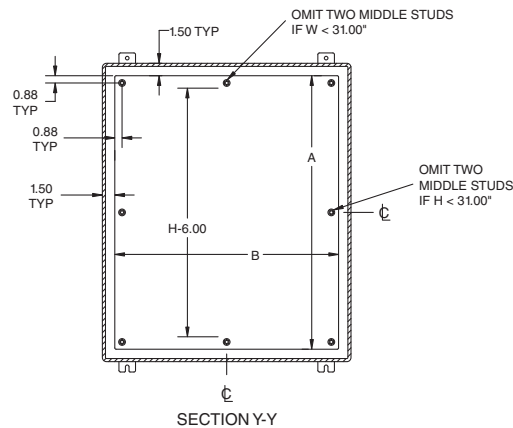
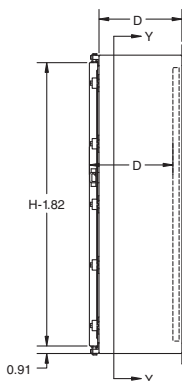
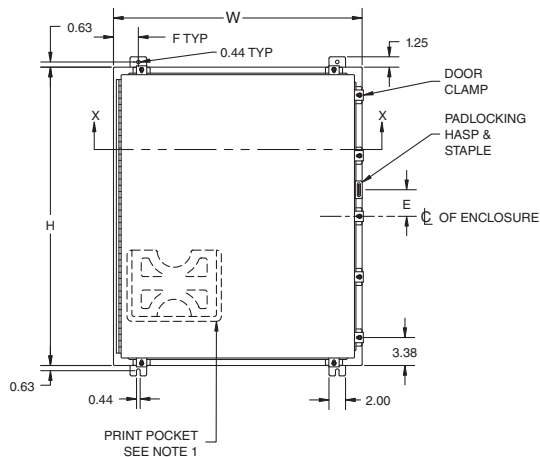
**Enclosures are supplied with closed cell neoprene gasket (not foam-in-place).

Continued on page D19

N4 SERIES SINGLE DOOR ENCLOSURES (CONT.)								
CATALOG NUMBER	BODY/DOOR STEEL GAUGE	ENCLOSURE SIZE H X W X D	BACK PANEL CATALOG NUMBER*		BACK PANEL SIZE A X B	STIFFENER		E
			WHITE	"G"		DOOR	BODY	
N4243008	14/14	24.00x30.00x8.00 (610x762x203)	NP3024	NP3024G	21.00x27.00 (533x686)	No	No	4.313 (110)
N4302008	14/14	30.00x20.00x8.00 (762x508x203)	NP3020	NP3020G	27.00x17.00 (686x432)	No	No	5.813 (148)
N4302408	14/14	30.00x24.00x8.00 (762x610x203)	NP3024	NP3024G	27.00x21.00 (686x533)	No	No	5.813 (148)
N4303008	14/14	30.00x30.00x8.00 (762x762x203)	NP3030	NP3030G	27.00x27.00 (686x686)	No	Yes	5.813 (148)
N4362408	14/14	36.00x24.00x8.00 (914x610x203)	NP3624	NP3624G	33.00x21.00 (838x533)	No	No	7.313 (186)
N4363008	14/14	36.00x30.00x8.00 (914x762x203)	NP3630	NP3630G	33.00x27.00 (838x686)	No	Yes	7.313 (186)
N4423008	14/14	42.00x30.00x8.00 (1067x762x203)	NP4230	NP4230G	39.00x27.00 (991x686)	No	Yes	—
N4423608	14/14	42.00x36.00x8.00 (1067x914x203)	NP4236	NP4236G	39.00x33.00 (991x838)	Yes	Yes	—
N4483608**	14/14	48.00x36.00x8.00 (1219x914x203)	NP4836	NP4836G	45.00x33.00 (1143x838)	Yes	Yes	—
N4603608**	14/14	60.00x36.00x8.00 (1524x914x203)	NP6036	NP6036G	57.00x33.00 (1448x838)	Yes	Yes	6.656 (169)
N4201610	14/14	20.00x16.00x10.00 (508x406x254)	NP2016	NP2016G	17.00x13.00 (432x330)	No	No	—
N4242010	14/14	24.00x20.00x10.00 (610x508x254)	NP2420	NP2420G	21.00x17.00 (533x432)	No	No	4.313 (110)
N4302410	14/14	30.00x24.00x10.00 (762x610x254)	NP3024	NP3024G	27.00x21.00 (686x533)	No	No	5.813 (148)
N4363010	14/14	36.00x30.00x10.00 (914x762x254)	NP3630	NP3630G	33.00x27.00 (838x686)	No	Yes	7.313 (186)
N4483010**	14/14	48.00x30.00x10.00 (1219x762x254)	NP4830	NP4830G	45.00x27.00 (1143x686)	Yes	Yes	—
N4483610**	14/14	48.00x36.00x10.00 (1219x914x254)	NP4836	NP4836G	45.00x33.00 (1143x838)	Yes	Yes	—
N4603610**	14/14	60.00x36.00x10.00 (1524x914x254)	NP6036	NP6036G	57.00x33.00 (1448x838)	Yes	Yes	6.656 (169)
N4302412	14/14	30.00x24.00x12.00 (762x610x305)	NP3024	NP3024G	27.00x21.00 (686x533)	No	No	5.813 (148)
N4363012	14/14	36.00x30.00x12.00 (914x762x305)	NP3630	NP3630G	33.00x27.00 (838x686)	No	Yes	7.313 (186)
N4483612**	14/14	48.00x36.00x12.00 (1219x914x305)	NP4836	NP4836G	45.00x33.00 (1143x838)	Yes	Yes	—
N4363016**	14/14	36.00x30.00x16.00 (914x762x406)	NP3630	NP3630G	33.00x27.00 (838x686)	No	Yes	7.313 (186)
N4483616**	14/14	48.00x36.00x16.00 (1219x914x406)	NP4836	NP4836G	45.00x33.00 (1143x838)	Yes	Yes	—
N4603616**	14/14	60.00x36.00x16.00 (1524x914x406)	NP6036	NP6036G	57.00x33.00 (1448x838)	Yes	Yes	6.656 (169)

*Back panels must be ordered separately.

**Enclosures are supplied with closed cell neoprene gasket (not foam-in-place).



NOTES:

1. Large print pocket (8X10) is furnished if H = 20.00" or more and W = 20.00" or more. Otherwise small (6X6) print pocket is provided.
2. Panels are made from 12 Ga. steel.
3. Panels have flanges along all sides when either dimension exceeds 17".
4. The number of door clamps is dependent on size of enclosure. Clamps are furnished along three sides of door.
5. F = 3" when W is 16" or greater and 1-1/4" when W is 12" or less.

PART NUMBER	PAGE	PART NUMBER	PAGE	PART NUMBER	PAGE	PART NUMBER	PAGE
N412482410C	D8-D11	N412603812CDSSA	F7	N4D6260123PT	D24	NP2020PP	B7
N412482410CLG	D8	N412603812CSTD	F8	N4D746012	D20	NP2020SS	I4
N412482412	OBSOLETE	N412603816CSSSTD	F8	N4D7460123PT	D24	NP2020SSC	I5
N4124824123PTC	D14	N412MFK	J6	N4D747212	D20	NP2416	I4
N412482412C	D8-D11	N412MFKSS	J6	N4D7472123PT	D24	NP2416C	I5
N412482412CLG	D8	N4161206	D18	N4D747224	D20	NP2416CG	D8
N412483610C	D8-D11	N4161208	D18	N4D7472243PT	D24	NP2416G	C7, C16, D18
N412483610CLG	D8	N4161606	D18	N4S722518FS	D22	NP2416SS	I4
N412483610CST	D16	N4162006	D18	N4S722518FSSS	D38	NP2416SSC	I5
N412483610SSC	D16-E19	N4201606	D18	N4S722518FSSSA	D38	NP2420	I4
N412483612	OBSOLETE	N4201608	D18	N4S723124FS	D22	NP2420C	I5
N4124836123PTC	D14	N4201610	D18	N4S723124FSSS	D38	NP2420CG	D8
N412483612C	D8-D11	N4202006	D18	N4S723124FSSSA	D38	NP2420G	C7, C16, D18
N412483612CLG	D8	N4202008	D18	N4S723724FS	D22	NP2420PP	B7
N412483612CST	D16	N4202408	D18	N4S723724FSSS	D38	NP2420SS	I4
N412483612SS	OBSOLETE	N4241206	D18	N4S723724FSSSA	D38	NP2420SSC	I5
N412483612SS3PTC	E21-E22	N4241606	D18	NP1212	I4	NP2424	I4
N412483612SSA	OBSOLETE	N4242006	D18	NP1212C	I5	NP2424C	I5
N412483612SSA3PTC	E21-E22	N4242008	D18	NP1212CG	D8	NP2424CG	D8
N412483612SSAC	D16-E19	N4242010	D18	NP1212G	C7, C16, D18	NP2424G	C7, C16, D18
N412483612SSC	D16-E19	N4242406	D18	NP1224	I4	NP2424PP	B7
N412483616	OBSOLETE	N4242408	D18	NP1224G	C7, C16, D18	NP2424SS	I4
N4124836163PTC	D14	N4243008	D18	NP1612	I4	NP2424SSC	I5
N412483616C	D8-D11	N4302006	D18	NP1612C	I5	NP3016	I4
N412483616CLG	D8	N4302008	D18	NP1612CG	D8	NP3016G	C7, C16, D18
N412483616CSSST	E24	N4302406	D18	NP1612G	C7, C16, D18	NP3020	I4
N412483616CST	D16	N4302408	D18	NP1612PP	B7	NP3020C	I5
N412483812CD	F6	N4302410	D18	NP1612SS	I4	NP3020CG	D8
N412483812CDSS	D16-E19	N4302412	D18	NP1612SSC	I5	NP3020G	C7, C16, D18
N412483812CDSSA	F7	N4303008	D18	NP1616	I4	NP3020SS	I4
N412483812CSTD	F8	N4362406	D18	NP1616C	I5	NP3024	I4
N412483816CSSSTD	F8	N4362408	D18	NP1616CG	D8	NP3024C	I5
N412603610C	D8-D11	N4363008	D18	NP1616G	C7, C16, D18	NP3024CG	D8
N412603610CLG	D8	N4363010	D18	NP1616PP	B7	NP3024G	C7, C16, D18
N412603610SSC	D16-E19	N4363012	D18	NP1616SS	I4	NP3024PP	B7
N412603612	OBSOLETE	N4363016	D18	NP1616SSC	I5	NP3024SS	I4
N4126036123PTC	D14	N4423008	D18	NP2012	I4	NP3024SSC	I5
N412603612C	D8-D11	N4423608	D18	NP2012G	C7, C16, D18	NP3030	I4
N412603612CLG	D8	N4483010	D18	NP2016	I4	NP3030C	I5
N412603612CST	D16	N4483608	D18	NP2016C	I5	NP3030CG	D8
N412603612SS	OBSOLETE	N4483610	D18	NP2016CG	D8	NP3030G	C7, C16, D18
N412603612SS3PTC	E21-E22	N4483612	D18	NP2016G	C7, C16, D18	NP3030PP	B7
N412603612SSA	OBSOLETE	N4483616	D18	NP2016PP	B7	NP3030SS	I4
N412603612SSA3PTC	E21-E22	N4603608	D18	NP2016SS	I4	NP3030SSC	I5
N412603612SSAC	D16-E19	N4603610	D18	NP2016SSC	I5	NP3624	I4
N412603612SSC	D16-E19	N4603616	D18	NP2020	I4	NP3624C	I5
N412603616CSSST	E24	N4D624810	D20	NP2020C	I5	NP3624CG	D8
N412603812CD	F6	N4D6248103PT	D24	NP2020CG	D8	NP3624G	C7, C16, D18
N412603812CDSS	D16-E19	N4D626012	D20	NP2020G	C7, C16, D18	NP3624PP	B7