

**BN4 - SS SERIES ENCLOSURES
NEMA 4X JIC CLAMP COVER WALL-MOUNT**


BN4060604SS

Industry Standards

 UL 50, Types 4, 4X, 12 & 13
(6 X 6 X 4 & above)

 UL 508, Types 4, 4X, 12 & 13 (6 X 4 X
3 & smaller)

CSA Certified, Types 4 & 12

NEMA/EEMAC Type 4, 4X, 12 & 13

JIC EL-1-71

UL Files E23553, E64791

CSA File LL66078

FEATURES-SPECIFICATIONS
Applications

Provides unmatched protection for housing electrical components in highly corrosive environments. This enclosure is used in indoor and outdoor settings that are frequently wet or have constant exposure to water, other liquids, or contaminants.

Construction

- Bodies and doors fabricated from 16 gauge type 304 or 316L stainless steel
- Continuously welded seams ground smooth, less knockouts or holes

- Sealed with poured in place polyurethane gasket
- External mounting plates, top and bottom of enclosure
- Weldnuts are provided on models 6.00" x 4.00" and larger to secure optional panel
- Stainless steel screws and clamps on four sides of cover assure watertight seal
- Grounding provisions provided
- Optional panels and terminal kits must be ordered separately

Finish

- Cover and outside of enclosure have a smooth grained finish
- Optional back panels are white polyester powder or grained finish stainless steel
- Optional "G" panels have a conductive finish (See page I2)

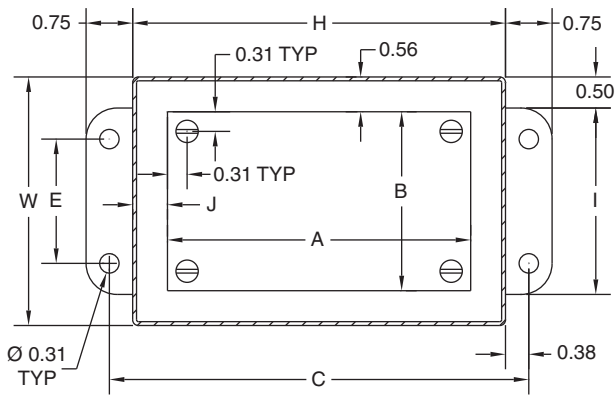
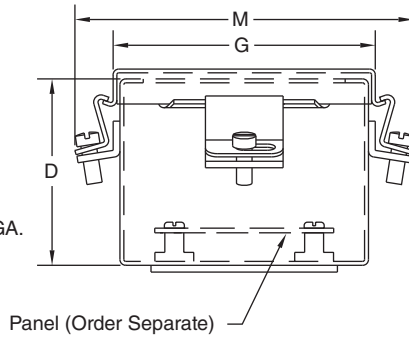
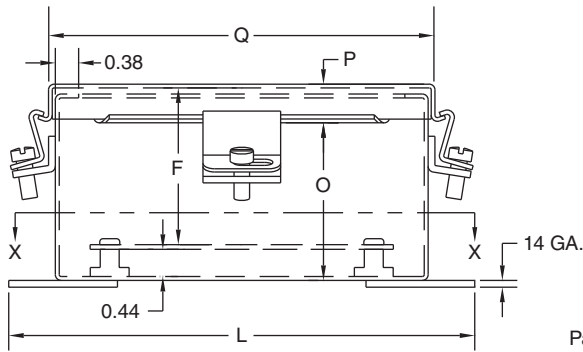
Accessories

- Back panels (reference tables)
- See pages J1-J22

BN4-SS SERIES JIC CLAMP COVER STAINLESS ENCLOSURES																	
CATALOG NUMBER		ENCLOSURE SIZE H X W X D	BACK PANEL CATALOG NUMBER*			BACK PANEL SIZE A X B	MOUNTING C X E	OVERALL L X M	F	G	I	J	K	N	O	P	Q
304 SS	316L SS		WHITE	304 SS	"G"												
BN4040403SS	BN4040403SSA	4.00x4.00x3.00 (102x102x76)	—	—	—	—	4.75x2.00 (121x51)	5.50x5.63 (140x143)	2.53 (64)	4.31 (109)	3.00 (76)	—	1.38 (35)	1.38 (35)	2.53 (64)	0.63 (16)	4.31 (110)
BN4060403SS	BN4060403SSA	6.00x4.00x3.00 (152x102x76)	P0604	P0604SS	P0604G	4.88x2.88 (124x73)	6.75x2.00 (171x51)	7.50x5.63 (191x143)	2.53 (64)	4.31 (109)	3.00 (76)	0.56 (14)	1.38 (35)	2.38 (60)	2.53 (64)	0.63 (16)	6.31 (160)
BN4060604SS	BN4060604SSA	6.00x6.00x4.00 (152x152x102)	P0606	P0606SS	P0606G	4.88x4.88 (124x124)	6.75x4.00 (171x102)	7.50x7.63 (191x194)	3.53 (90)	6.31 (160)	5.00 (127)	0.56 (14)	2.38 (60)	2.38 (60)	3.53 (90)	0.63 (16)	6.31 (160)
BN4080604SS	BN4080604SSA	8.00x6.00x4.00 (203x152x102)	P0806	P0806SS	P0806G	6.88x4.88 (175x124)	8.75x4.00 (222x102)	9.50x7.63 (241x194)	3.53 (90)	6.31 (160)	5.00 (127)	0.56 (14)	2.38 (60)	3.38 (86)	3.53 (90)	0.63 (16)	8.31 (211)
BN4100804SS	BN4100804SSA	10.00x8.00x4.00 (254x203x102)	P1008	P1008SS	P1008G	8.88x6.88 (226x175)	10.75x6.00 (273x152)	11.50x9.63 (292x244)	3.53 (90)	8.31 (211)	7.00 (178)	0.56 (14)	3.38 (86)	1.50 (38)	3.53 (90)	0.63 (16)	10.31 (262)
BN4121005SS	BN4121005SSA	12.00x10.00x5.00 (305x254x127)	P1210	P1210SS	P1210G	10.88x8.88 (276x226)	12.75x8.00 (324x203)	13.50x11.63 (343x295)	4.53 (115)	10.31 (262)	9.00 (229)	0.56 (14)	2.00 (51)	3.00 (76)	4.53 (115)	0.63 (16)	12.31 (313)
BN4141206SS	BN4141206SSA	14.00x12.00x6.00 (356x305x152)	P1412	P1412SS	P1412G	12.88x10.88 (327x276)	14.75x10.00 (375x254)	15.50x13.63 (394x346)	5.53 (141)	12.31 (313)	11.00 (279)	0.56 (14)	2.00 (51)	3.00 (76)	5.53 (141)	0.63 (16)	14.31 (364)
BN4161406SS	BN4161406SSA	16.00x14.00x6.00 (406x356x152)	P1614	P1614SS	P1614G	14.88x12.88 (378x327)	16.75x12.00 (425x305)	17.50x15.63 (445x397)	5.53 (141)	14.31 (363)	13.00 (330)	0.56 (14)	3.50 (89)	1.50 (38)	5.53 (141)	0.63 (16)	16.31 (414)

*Back panels must be ordered separately.

**BN4 - SS SERIES ENCLOSURES
NEMA 4X JIC CLAMP COVER WALL-MOUNT**

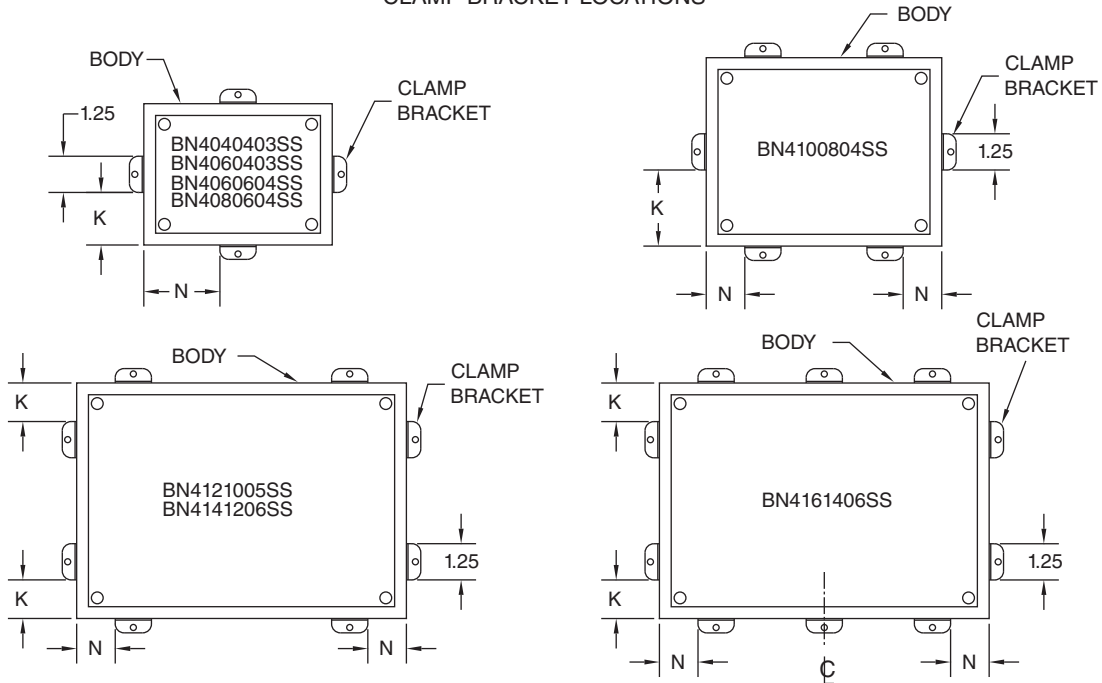


SECTION X-X

Notes:

1. Panels are 14 Ga. steel.
2. Panel Screws are #10-32 Pan Head.

CLAMP BRACKET LOCATIONS



PART NUMBER	PAGE	PART NUMBER	PAGE	PART NUMBER	PAGE	PART NUMBER	PAGE
BN4060404CHSSA.....	E6	C0404.....	G2	E0808G.....	G2	HFWADM124C.....	J20-J23
BN4060604.....	D2-D5	C0404G.....	G2	E0808NK.....	G2	HFWADM64C.....	J20-J23
BN4060604AL.....	E10	C0606.....	G2	E1010GNK.....	G2	HFWADM82C.....	J20-J23
BN4060604CH.....	D2-D5	C0606G.....	G2	E1010NK.....	G2	HFWADM84C.....	J20-J23
BN4060604CHAL.....	E10	C0808.....	G2	E1212GNK.....	G2	HFWCNP4C.....	J20-J23
BN4060604CHSS.....	E6	C0808G.....	G2	E1212NK.....	G2	HFWDF1212C.....	J20-J23
BN4060604CHSSA.....	E6	C1010.....	G2	EGL250.....	K24-K42	HFWDF1612C.....	J20-J23
BN4060604SS.....	E6	C1010G.....	G2	EGL250-120.....	K24-K42	HFWDF2016C.....	J20-J23
BN4080603.....	D2-D5	C1212.....	G2	EGL400.....	K24-K42	HFWDF2020C.....	J20-J23
BN4080603AL.....	E10	C1212G.....	G2	EGL400-120.....	K24-K42	HFWDF2420C.....	J20-J23
BN4080603CH.....	D2-D5	CTDD302410.....	B10-B13	EHG015.....	K24-K42	HFWDF2424C.....	J20-J23
BN4080603CHAL.....	E10	CTDD303012.....	B10-B13	EHG030.....	K24-K42	HFWDF3024C.....	J20-J23
BN4080604CHSS.....	E6	CTDD303612.....	B10-B13	EHG045.....	K24-K42	HFWDR12C.....	J20-J23
BN4080604CHSSA.....	E6	CTDD362412.....	B10-B13	EHG060.....	K24-K42	HFWDR16C.....	J20-J23
BN4080604SS.....	E6	CTDD363012.....	B10-B13	EHG075.....	K24-K42	HFWDR20C.....	J20-J23
BN4100804.....	D2-D5	CTDD363212.....	B10-B13	EHG100.....	K24-K42	HFWDR24C.....	J20-J23
BN4100804AL.....	E10	CTDD363612.....	B10-B13	EHG150.....	K24-K42	HFWGS12C.....	J20-J23
BN4100804CH.....	D2-D5	CTDD363616.....	B10-B13	ETF3000.....	K24-K42	HFWGS16C.....	J20-J23
BN4100804CHAL.....	E10	CTDD424212.....	B10-B13	ETF3000120F.....	K24-K42	HFWGS20C.....	J20-J23
BN4100804CHSS.....	E6	CTDD443012.....	B10-B13	ETR201.....	K24-K42	HFWGS24C.....	J20-J23
BN4100804CHSSA.....	E6	CTDD484816.....	B10-B13	ETR201F.....	K24-K42	HFWGS30C.....	J20-J23
BN4100804SS.....	E6	CTSD121810.....	B10-B13	ETR202.....	K24-K42	HFWGS36C.....	J20-J23
BN4100806CH.....	D2-D5	CTSD182410.....	B10-B13	ETR202F.....	K24-K42	HFWGS42C.....	J20-J23
BN4121005.....	D2-D5	CTSD202010.....	B10-B13	FK0608.....	J10	HFWGS48C.....	J20-J23
BN4121005AL.....	E10	CTSD202412.....	B10-B13	FK0610.....	J10	HFWGS60C.....	J20-J23
BN4121005CH.....	D2-D5	CTSD242412.....	B10-B13	FK0612.....	J10	HFWMC12C.....	J20-J23
BN4121005CHAL.....	E10	CTSD243012.....	B10-B13	FK0618.....	J10	HFWMC16C.....	J20-J23
BN4121005SS.....	E6	CTSD243612.....	B10-B13	FK0624.....	J10	HFWMC20C.....	J20-J23
BN4121006CHSS.....	E6	CTSD303612.....	B10-B13	FK1208.....	J10	HFWMC24C.....	J20-J23
BN4121006CHSSA.....	E6	DK12.....	J4	FK1210.....	J10	HFWMC30C.....	J20-J23
BN4121206CH.....	D2-D5	DK16.....	J4	FK1212.....	J10	HFWMC36C.....	J20-J23
BN4121206CHSS.....	E6	DK20.....	J4	FK1216.....	J10	HFWMC42C.....	J20-J23
BN4121206CHSSA.....	E6	DK24.....	J4	FK1218.....	J10	HFWMC48C.....	J20-J23
BN4141206.....	D2-D5	DK30.....	J4	FK1220.....	J10	HFWMC60C.....	J20-J23
BN4141206AL.....	E10	DK36.....	J4	FK1224.....	J10	HFWNSP1212C.....	J20-J23
BN4141206CH.....	D2-D5	DK42.....	J4	FK1808.....	J10	HFWNSP1612C.....	J20-J23
BN4141206CHAL.....	E10	DK48.....	J4	FK1810.....	J10	HFWNSP1616C.....	J20-J23
BN4141206CHSS.....	E6	DK60.....	J4	FK1812.....	J10	HFWNSP1620C.....	J20-J23
BN4141206CHSSA.....	E6	DK72.....	J4	FK1816.....	J10	HFWNSP2016C.....	J20-J23
BN4141206SS.....	E6	E0202.....	G2	FK2408.....	J10	HFWNSP2020C.....	J20-J23
BN4161406.....	D2-D5	E0202GNK.....	G2	FK2410.....	J10	HFWNSP2024C.....	J20-J23
BN4161406AL.....	E10	E0202NK.....	G2	FK2412.....	J10	HFWNSP2416C.....	J20-J23
BN4161406CH.....	D2-D5	E0404.....	G2	FM08603-4.....	K24-K42	HFWNSP2420C.....	J20-J23
BN4161406CHAL.....	E10	E0404G.....	G2	FM08604-5.....	K24-K42	HFWNSP2424C.....	J20-J23
BN4161406CHSS.....	E6	E0404NK.....	G2	FM08605-7.....	K24-K42	HFWNSP3020C.....	J20-J23
BN4161406CHSSA.....	E6	E0606.....	G2	FM08609-10.....	K24-K42	HFWNSP3024C.....	J20-J23
BN4161406SS.....	E6	E0606G.....	G2	HFWADM102C.....	J20-J23	HFWNSP3030C.....	J20-J23
C0202.....	G2	E0606NK.....	G2	HFWADM104C.....	J20-J23	HFWNSP3624C.....	J20-J23
C0202G.....	G2	E0808.....	G2	HFWADM122C.....	J20-J23	HFWNSP3630C.....	J20-J23