

**RHC SERIES ENCLOSURES  
"MEDIUM" NEMA 3R HINGE COVER WALL-MOUNT**



**RHC161606**

**Industry Standards**

UL 508, Types 1 & 3R  
CSA Certified, Type 1 & 3R  
NEMA/EEMAC Type 1 & 3R



**FEATURES-SPECIFICATIONS**

**Applications**

Designed for use as wiring boxes and junction boxes. Provide protection in outdoor installations against rain, sleet, and snow, or indoors against dripping water.

**Construction**

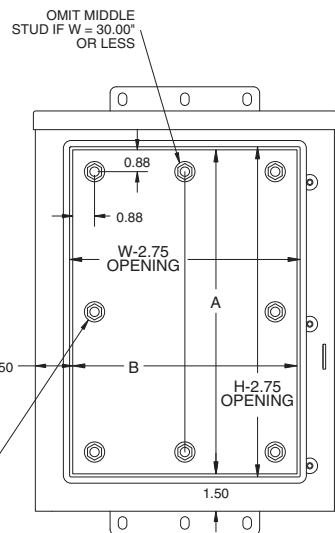
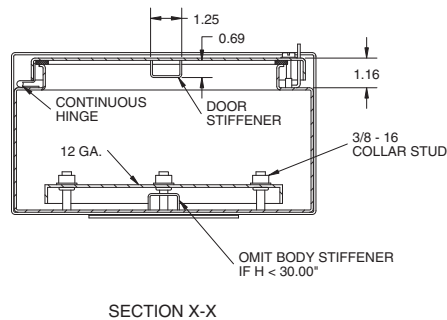
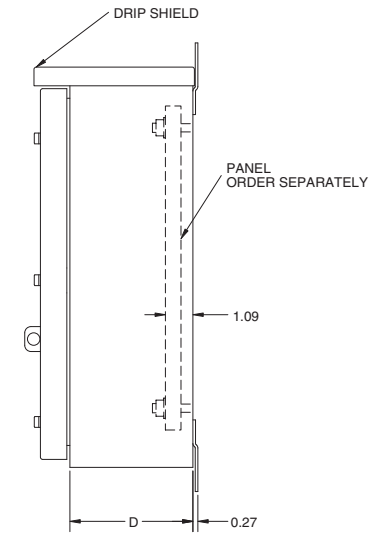
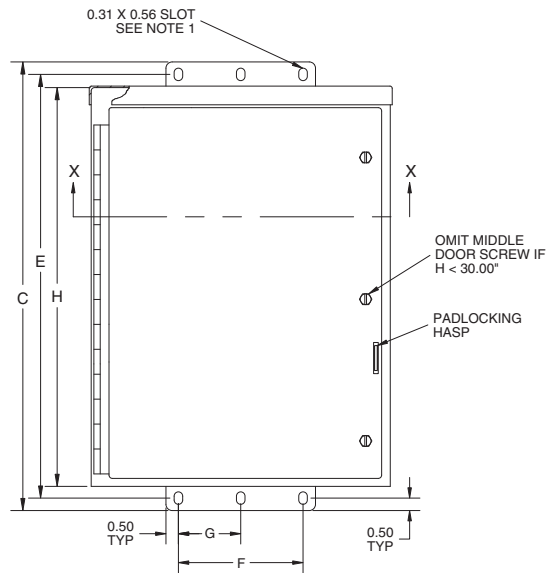
- Bodies and doors fabricated from 14 gauge carbon steel
- Continuous hinge
- Hinge is made of galvanized steel with a stainless steel pin
- No knockouts
- Collar studs provided for mounting optional back panels
- External mounting plates, top and bottom of enclosure
- Hasp and staple provided for padlocking
- Grounding provisions provided

**Finish**

- ANSI-61 gray polyester powder inside and out
- Optional back panels are white polyester powder
- Optional perforated panels are painted white polyester powder (See pages I2-I7)

**Accessories**

- Back panels (reference tables)
- See pages J1-J22



NOTES:  
1. RHC303012 & larger have a 0.38 X 0.63 mounting slot.

**RHC SERIES ENCLOSURES  
"MEDIUM" NEMA 3R HINGE COVER WALL-MOUNT**

**B7**



"MEDIUM" RHC SERIES HINGE COVER ENCLOSURES									
CATALOG NUMBER	BODY/DOOR STEEL GAUGE	ENCLOSURE SIZE H X W X D	BACK PANEL CATALOG NUMBER*		BACK PANEL SIZE A X B	C	E	F	G
			WHITE	PERFORATED					
RHC161206	14/14	16.00x12.00x6.00 (406x305x152)	NP1612	NP1612PP	13.00x9.00 (330x229)	18.00 (457)	17.00 (432)	5.00 (127)	—
RHC161606	14/14	16.00x16.00x6.00 (406x406x152)	NP1616	NP1616PP	13.00x13.00 (330x330)	18.00 (457)	17.00 (432)	9.00 (229)	—
RHC201606	14/14	20.00x16.00x6.00 (508x406x152)	NP2016	NP2016PP	17.00x13.00 (432x330)	22.00 (559)	21.00 (533)	9.00 (229)	—
RHC202008	14/14	20.00x20.00x8.00 (508x508x203)	NP2020	NP2020PP	17.00x17.00 (432x432)	22.00 (559)	21.00 (533)	13.00 (330)	—
RHC242008	14/14	24.00x20.00x8.00 (610x508x203)	NP2420	NP2420PP	21.00x17.00 (533x432)	26.00 (660)	25.00 (635)	13.00 (330)	—
RHC242408	14/14	24.00x24.00x8.00 (610x610x203)	NP2424	NP2424PP	21.00x21.00 (533x533)	26.00 (660)	25.00 (635)	17.00 (432)	—
RHC302408	14/14	30.00x24.00x8.00 (762x610x203)	NP3024	NP3024PP	27.00x21.00 (686x533)	32.00 (813)	31.00 (787)	17.00 (432)	—
RHC303012	14/14	30.00x30.00x12.00 (762x762x305)	NP3030	NP3030PP	27.00x27.00 (686x686)	32.00 (813)	31.00 (787)	27.00 (686)	13.50 (343)
RHC362412	14/14	36.00x24.00x12.00 (914x610x305)	NP3624	NP3624PP	33.00x21.00 (838x533)	38.00 (965)	37.00 (940)	17.00 (432)	—
RHC363012	14/14	36.00x30.00x12.00 (914x762x305)	NP3630	NP3630PP	33.00x27.00 (838x686)	38.00 (965)	37.00 (940)	27.00 (686)	13.50 (343)
RHC363612	14/14	36.00x36.00x12.00 (914x914x305)	NP3636	NP3636PP	33.00x33.00 (838x838)	38.00 (965)	37.00 (940)	27.00 (686)	13.50 (343)
RHC423012	14/14	42.00x30.00x12.00 (1067x762x305)	NP4230	—	39.00x27.00 (991x686)	44.00 (1118)	43.00 (1092)	27.00 (686)	13.50 (343)
RHC423612	14/14	42.00x36.00x12.00 (1067x914x305)	NP4236	—	39.00x33.00 (991x838)	44.00 (1118)	43.00 (1092)	27.00 (686)	13.50 (343)
RHC483612	14/14	48.00x36.00x12.00 (1219x914x305)	NP4836	—	45.00x33.00 (1143x838)	50.00 (1270)	49.00 (1245)	27.00 (686)	13.50 (343)
RHC603612	14/14	60.00x36.00x12.00 (1524x914x305)	NP6036	—	57.00x33.00 (1448x838)	62.00 (1575)	61.00 (1549)	27.00 (686)	13.50 (343)
RHC303016	14/14	30.00x30.00x16.00 (762x762x406)	NP3030	NP3030PP	27.00x27.00 (686x686)	32.00 (813)	31.00 (787)	27.00 (686)	13.50 (343)
RHC483616	14/14	48.00x36.00x16.00 (1219x914x406)	NP4836	NP4836PP	45.00x33.00 (991x838)	50.00 (1270)	49.00 (1245)	27.00 (686)	13.50 (343)

\* Back panels must be ordered separately.

PART NUMBER	PAGE	PART NUMBER	PAGE	PART NUMBER	PAGE	PART NUMBER	PAGE
PBXD4	H16-H26	RHC423612	B6	RSC101004G	B2	RSC161610	B2
PBXD4S	H16-H26	RHC483612	B6	RSC101004GNK	B2	RSC161610G	B2
PBXD4SS	E2	RHC483616	B6	RSC101004NK	B2	RSC181804	B2
PBXD6	H16-H26	RHC603612	B6	RSC101006	B2	RSC181804G	B2
PBXD9	H16-H26	RSC040404	B2	RSC101006G	B2	RSC181804GNK	B2
PBYX12	H16-H26	RSC040404G	B2	RSC101006GNK	B2	RSC181804NK	B2
PBYX16	H16-H26	RSC040404GNK	B2	RSC101006NK	B2	RSC181806	B2
PBYX20	H16-H26	RSC040404NK	B2	RSC101204	B2	RSC181806G	B2
PBYX25	H16-H26	RSC040604	B2	RSC101204G	B2	RSC181806GNK	B2
PBYX30	H16-H26	RSC040604G	B2	RSC101204GNK	B2	RSC181806NK	B2
PBYX36	H16-H26	RSC040604GNK	B2	RSC101204NK	B2	RSC181808	B2
PBYX42	H16-H26	RSC040604NK	B2	RSC101206	B2	RSC181808G	B2
PBYX4S	H16-H26	RSC060604	B2	RSC101206G	B2	RSC182406	B2
PBYX6	H16-H26	RSC060604G	B2	RSC101206GNK	B2	RSC182406G	B2
PBYX9	H16-H26	RSC060604GNK	B2	RSC101206NK	B2	RSC182406GNK	B2
PSL1	H16-H26	RSC060604NK	B2	RSC121204	B2	RSC182406NK	B2
PSL2	H16-H26	RSC060606	B2	RSC121204G	B2	RSC182408	B2
PSL3	H16-H26	RSC060606G	B2	RSC121204GNK	B2	RSC182408G	B2
PSL4	H16-H26	RSC060606GNK	B2	RSC121204NK	B2	RSC202408	B2
R0402	G2	RSC060606NK	B2	RSC121206	B2	RSC202408G	B2
R0402G	G2	RSC060804	B2	RSC121206G	B2	RSC242406	B2
R0604	G2	RSC060804G	B2	RSC121206GNK	B2	RSC242406G	B2
R0604G	G2	RSC060804GNK	B2	RSC121206NK	B2	RSC242406GNK	B2
R0806	G2	RSC060804NK	B2	RSC121206NK	B2	RSC242406NK	B2
R0806G	G2	RSC060806	B2	RSC121208	B2	RSC242408	B2
R1008	G2	RSC060806G	B2	RSC121208G	B2	RSC242408G	B2
R1008G	G2	RSC060806GNK	B2	RSC121208NK	B2	RSC242412	B2
R1208	G2	RSC060806NK	B2	RSC121210	B2	RSC242412G	B2
R1208G	G2	RSC080804	B2	RSC121210G	B2	RSC242416	B2
RHC060604	B4	RSC080804G	B2	RSC121504	B2	RSC242416G	B2
RHC060804	B4	RSC080804GNK	B2	RSC121504G	B2	RSC243008	B2
RHC080804	B4	RSC080804NK	B2	RSC121504GNK	B2	RSC243008G	B2
RHC080806	B4	RSC080806	B2	RSC121504NK	B2	RSC243612	B2
RHC081006	B4	RSC080806G	B2	RSC121506	B2	RSC243612G	B2
RHC101206	B4	RSC080806GNK	B2	RSC121506G	B2	RSC303012	B2
RHC121206	B4	RSC080806NK	B2	RSC121506GNK	B2	RSC303012G	B2
RHC161206	B6	RSC081004	B2	RSC121506NK	B2	RSC303016	B2
RHC161606	B6	RSC081004G	B2	RSC121806	B2	RSC303016G	B2
RHC201606	B6	RSC081004GNK	B2	RSC121806G	B2	RSC303612	B2
RHC202008	B6	RSC081004NK	B2	RSC121806GNK	B2	RSC303612G	B2
RHC242008	B6	RSC081006	B2	RSC121806NK	B2	RSC363612	B2
RHC242408	B6	RSC081006G	B2	RSC121808	B2	RSC363612G	B2
RHC302408	B6	RSC081006GNK	B2	RSC121808G	B2	RSC363616	B2
RHC303012	B6	RSC081006NK	B2	RSC151806	B2	RSC363616G	B2
RHC303016	B6	RSC081206	B2	RSC151806G	B2	RSC364816	B2
RHC362412	B6	RSC081206G	B2	RSC151806GNK	B2	RSC364816G	B2
RHC363012	B6	RSC081206GNK	B2	RSC151806NK	B2	RSCG040412	G18
RHC363612	B6	RSC081206NK	B2	RSC151808	B2	RSCG040412G	G18
RHC423012	B6	RSC101004	B2	RSC151808G	B2	RSCG040412GNK	G18