



B101006CH

**Industry Standards**

UL 50, Types 12 & 13  
 CSA Certified, Type 12  
 NEMA/EEMAC Type 12 & 13  
 JIC EL-1-71

 UL Files E6924

 CSA File LL66078

**FEATURES-SPECIFICATIONS**

**Applications**

Intended for use as electrical junction boxes, terminal wiring boxes, and instrument housings. Hinged door provides convenient access. Designed to provide protection from dust, dirt, oil, and water.

**Construction**

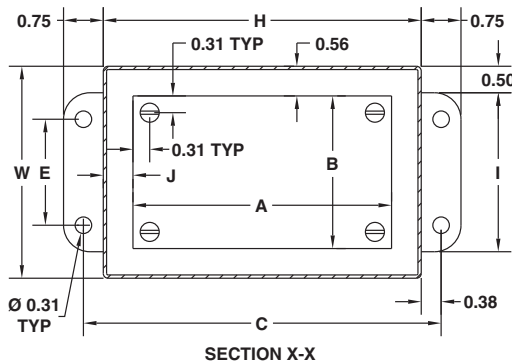
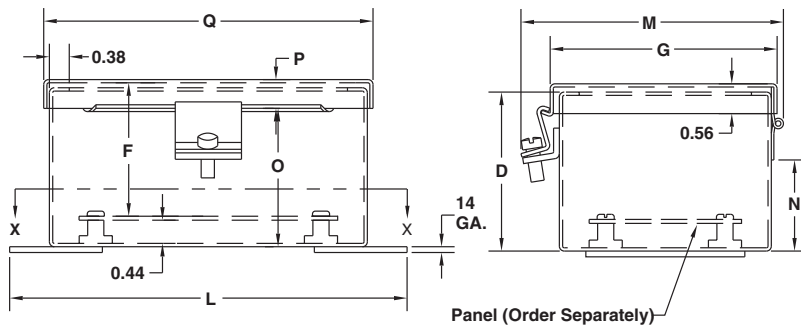
- Bodies 14 gauge and doors fabricated from 16 gauge and steel
- Continuously welded seams ground smooth, less knockouts or holes
- Lids are sealed with closed cell oil resistant neoprene gasket
- External mounting plates, top and bottom of enclosure
- Weldnuts are provided for mounting optional panels securely on models 6.00" x 4.00" and larger
- External screw clamps are quick and easy to operate
- Standard continuous hinge
- Grounding provisions provided

**Finish**

- ANSI-61 gray polyester powder inside and out
- **Optional** back panels are white polyester powder
- **Optional** "G" panels have a conductive finish (See page I2)

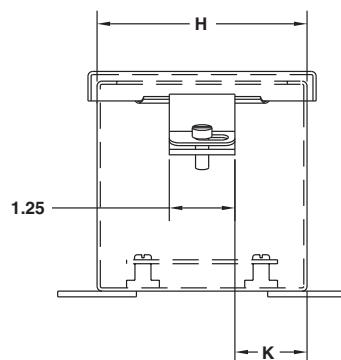
**Accessories**

- Back panels (reference tables)
- See pages J1-J22

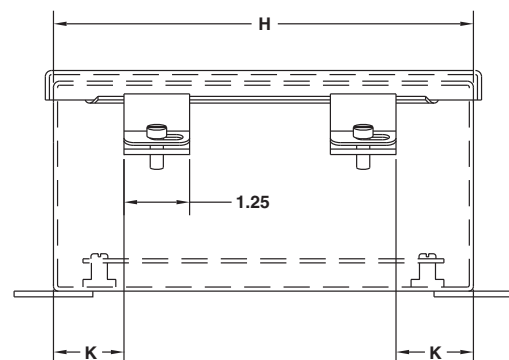


**Notes:**

1. Panels are 14 Ga. steel.
2. Panel Screws are #10-32 Pan Head.
3. Two clamps are used if "H" = 8.00"



VIEW SHOWING CLAMP POSITION  
 WHEN "H" IS LESS THAN 8"



VIEW SHOWING CLAMP POSITION  
 WHEN "H" EQUALS 8" OR MORE

**B-CH SERIES ENCLOSURES  
NEMA 12 JIC CONTINUOUS HINGE WALL-MOUNT**

**C5**

B-CH SERIES JIC CONTINUOUS HINGE ENCLOSURES															
CATALOG NUMBER	ENCLOSURE SIZE H X W X D	BACK PANEL CATALOG NUMBER*		BACK PANEL SIZE A X B	MOUNTING C X E	OVERALL L X M	F	G	I	J	K	N	O	P	Q
		WHITE	"G"												
B040403CH	4.00x4.00x3.00 (102x102x76)	—	—	—	4.75x2.00 (121x51)	5.50x5.00 (140x127)	2.53 (76)	4.31 (109)	3.00 (76)	—	1.38 (35)	1.78 (45)	2.53 (64)	0.63 (16)	4.31 (110)
B040404CH	4.00x4.00x4.00 (102x102x102)	—	—	—	4.75x2.00 (121x51)	5.50x5.00 (140x127)	3.53 (101)	4.31 (109)	3.00 (76)	—	1.38 (35)	2.78 (71)	3.53 (90)	0.63 (16)	4.31 (110)
B060403CH	6.00x4.00x3.00 (152x102x76)	P0604	P0604G	4.88x2.88 (124x73)	6.75x2.00 (171x51)	7.50x5.00 (191x127)	2.53 (76)	4.31 (109)	3.00 (76)	0.56 (14)	2.38 (60)	1.78 (45)	2.53 (64)	0.63 (16)	6.31 (160)
B060404CH	6.00x4.00x4.00 (152x102x102)	P0604	P0604G	4.88x2.88 (124x73)	6.75x2.00 (171x51)	7.50x5.00 (191x127)	3.53 (101)	4.31 (109)	3.00 (76)	0.56 (14)	2.38 (60)	2.78 (71)	3.53 (90)	0.63 (16)	6.31 (160)
B060604CH	6.00x6.00x4.00 (152x152x102)	P0606	P0606G	4.88x4.88 (124x124)	6.75x4.00 (171x102)	7.50x7.00 (191x178)	3.53 (101)	6.31 (160)	5.00 (127)	0.56 (14)	2.38 (60)	2.78 (71)	3.53 (90)	0.63 (16)	6.31 (160)
B080603CH	8.00x6.00x3.50 (203x152x89)	P0806	P0806G	6.88x4.88 (175x124)	8.75x4.00 (222x102)	9.50x7.00 (241x178)	3.03 (88)	6.31 (160)	5.00 (127)	0.56 (14)	1.00 (25)	2.28 (58)	3.03 (77)	0.63 (16)	8.31 (211)
B080606CH	8.00x6.00x6.00 (203x152x152)	P0806	P0806G	6.88x4.88 (175x124)	8.75x4.00 (222x102)	9.50x7.00 (241x178)	5.53 (152)	6.31 (160)	5.00 (127)	0.56 (14)	1.00 (25)	4.78 (121)	5.53 (141)	0.63 (16)	8.31 (211)
B080804CH	8.00x8.00x4.00 (203x203x102)	P0808	P0808G	6.88x6.88 (175x175)	8.75x6.00 (222x152)	9.50x9.00 (241x229)	3.53 (101)	8.31 (211)	7.00 (178)	0.56 (14)	1.00 (25)	2.78 (71)	3.53 (90)	0.63 (16)	8.31 (211)
B100804CH	10.00x8.00x4.00 (254x203x102)	P1008	P1008G	8.88x6.88 (226x175)	10.75x6.00 (273x152)	11.50x9.00 (292x229)	3.53 (101)	8.31 (211)	7.00 (178)	0.56 (14)	1.00 (25)	2.78 (71)	3.53 (90)	0.63 (16)	10.31 (262)
B100804CHS	8.00x10.00x4.00 (203x254x102)	P1008	P1008G	8.88x6.88 (226x175)	10.75x6.00 (273x152)	11.50x9.00 (292x229)	3.53 (101)	8.31 (211)	7.00 (178)	0.56 (14)	1.00 (25)	2.78 (71)	3.53 (90)	0.63 (16)	10.31 (262)
B100806CH	10.00x8.00x6.00 (254x203x152)	P1008	P1008G	8.88x6.88 (226x175)	10.75x6.00 (273x152)	11.50x9.00 (292x229)	5.53 (152)	8.31 (211)	7.00 (178)	0.56 (14)	1.00 (25)	4.78 (121)	5.53 (141)	0.63 (16)	10.31 (262)
B101006CH	10.00x10.00x6.00 (254x254x152)	P1010	P1010G	8.88x8.88 (225x225)	10.75x8.00 (273x203)	11.50x11.00 (292x279)	5.53 (152)	10.31 (262)	9.00 (229)	0.56 (14)	1.00 (25)	4.78 (121)	5.53 (141)	0.63 (16)	10.31 (262)
B120604CH	12.00x6.00x4.00 (305x152x102)	P1206	P1206G	10.88x4.88 (276x124)	12.75x4.00 (324x102)	13.50x7.00 (343x178)	3.53 (101)	6.31 (160)	5.00 (127)	0.56 (14)	1.00 (25)	2.78 (71)	3.53 (90)	0.63 (16)	12.31 (313)
B121005CH	10.00x12.00x5.00 (254x305x127)	P1210	P1210G	10.88x8.88 (276x226)	12.75x8.00 (324x203)	13.50x11.00 (343x279)	4.53 (127)	10.31 (262)	9.00 (229)	0.56 (14)	1.00 (25)	3.78 (96)	4.53 (115)	0.63 (16)	12.31 (313)
B121005CHS	10.00x12.00x5.00 (254x305x127)	P1210	P1210G	10.88x8.88 (276x226)	12.75x8.00 (324x203)	13.50x11.00 (343x279)	4.53 (127)	10.31 (262)	9.00 (229)	0.56 (14)	1.00 (25)	3.78 (96)	4.53 (115)	0.63 (16)	12.31 (313)
B121008CH	12.00x10.00x8.00 (305x254x203)	P1210	P1210G	10.88x8.88 (276x226)	12.75x8.00 (324x203)	13.50x11.00 (343x279)	7.53 (203)	10.31 (262)	9.00 (229)	0.56 (14)	1.00 (25)	6.78 (172)	7.53 (191)	0.63 (16)	12.31 (313)
B121206CH	12.00x12.00x6.00 (305x305x152)	P1212	P1212G	10.88x10.88 (276x276)	12.75x10.00 (324x254)	13.50x13.00 (343x330)	5.53 (152)	12.31 (313)	11.00 (279)	0.56 (14)	1.00 (25)	4.78 (121)	5.53 (141)	0.63 (16)	12.31 (313)
B140806CH	14.00x8.00x6.00 (356x203x152)	P1408	P1408G	12.88x6.88 (327x175)	14.75x6.00 (375x152)	15.50x9.00 (394x229)	5.53 (152)	8.31 (211)	7.00 (178)	0.56 (14)	1.00 (25)	4.78 (121)	5.53 (141)	0.63 (16)	14.31 (364)
B141206CH	14.00x12.00x6.00 (356x305x152)	P1412	P1412G	12.88x10.88 (327x276)	14.75x10.00 (375x254)	15.50x13.00 (394x330)	5.53 (152)	12.31 (313)	11.00 (279)	0.56 (14)	1.00 (25)	4.78 (121)	5.53 (141)	0.63 (16)	14.31 (364)
B141206CHS	12.00x14.00x6.00 (305x356x152)	P1412	P1412G	12.88x10.88 (327x276)	14.75x10.00 (375x254)	15.50x13.00 (394x330)	5.53 (152)	12.31 (313)	11.00 (279)	0.56 (14)	1.00 (25)	4.78 (121)	5.53 (141)	0.63 (16)	14.31 (364)
B141208CH	14.00x12.00x8.00 (356x305x203)	P1412	P1412G	12.88x10.88 (327x276)	14.75x10.00 (375x254)	15.50x13.00 (394x330)	7.53 (203)	12.31 (313)	11.00 (279)	0.56 (14)	1.00 (25)	6.78 (172)	7.53 (191)	0.63 (16)	14.31 (364)
B161006CH	16.00x10.00x6.00 (406x254x152)	P1610	P1610G	14.88x8.88 (378x226)	16.75x8.00 (425x203)	17.50x11.00 (445x279)	5.53 (152)	10.31 (262)	9.00 (229)	0.56 (14)	1.00 (25)	4.78 (121)	5.53 (141)	0.63 (16)	16.31 (414)
B161406CH	16.00x14.00x6.00 (406x356x152)	P1614	P1614G	14.88x12.88 (378x327)	16.75x12.00 (425x305)	17.50x15.00 (445x381)	5.53 (152)	14.31 (363)	13.00 (330)	0.56 (14)	1.00 (25)	4.78 (121)	5.53 (141)	0.63 (16)	16.31 (414)
B161406CHS	14.00x16.00x6.00 (356x406x152)	P1614	P1614G	14.88x12.88 (378x327)	16.75x12.00 (425x305)	17.50x15.00 (445x381)	5.53 (152)	14.31 (363)	13.00 (330)	0.56 (14)	1.00 (25)	4.78 (121)	5.53 (141)	0.63 (16)	16.31 (414)
B161408CH	16.00x14.00x8.00 (406x356x203)	P1614	P1614G	14.88x12.88 (378x327)	16.75x12.00 (425x305)	17.50x15.00 (445x381)	7.53 (203)	14.31 (363)	13.00 (330)	0.56 (14)	1.00 (25)	6.78 (172)	7.53 (191)	0.63 (16)	16.31 (414)
B161410CH	16.00x14.00x10.00 (406x356x254)	P1614	P1614G	14.88x12.88 (378x327)	16.75x12.00 (425x305)	17.50x15.00 (445x381)	9.53 (254)	14.31 (363)	13.00 (330)	0.56 (14)	1.00 (25)	8.78 (223)	9.53 (242)	0.63 (16)	16.31 (414)

\*Back panels must be ordered separately.

PART NUMBER	PAGE	PART NUMBER	PAGE	PART NUMBER	PAGE	PART NUMBER	PAGE
A040503	A6	AF0404	G2	B060404SC	C2-C15	B161406CH	C2-C15
A040604	A6	AF0404G	G2	B060604	C2-C15	B161406CHQR	C2-C15
A060603	A6	AF0606	G2	B060604CH	C2-C15	B161406CHS	C2-C15
A060604	A6	AF0606G	G2	B060604CHQR	C2-C15	B161406SC	C2-C15
A060606	A6	AF0808	G2	B060604SC	C2-C15	B161408CH	C2-C15
A060804	A6	AF0808G	G2	B080603	C2-C15	B161410CH	C2-C15
A080804	A6	AF1010	G2	B080603CH	C2-C15	B201607CH	C6
A080806	A6	AF1010G	G2	B080603CHQR	C2-C15	B201609CH	C6
A081004	A6	AF1212	G2	B080603SC	C2-C15	B202007CH	C6
A081006	A6	AF1212G	G2	B080606	C2-C15	B202009CH	C6
A081204	A6	ALN4161206	E30	B080606CH	C2-C15	B242007CH	C6
A101004	A6	ALN4161608	E30	B080606SC	C2-C15	B242009CH	C6
A101006	A6	ALN4201606	E30	B080804	C2-C15	B242407CH	C6
A101204	A6	ALN4201610	E30	B080804CH	C2-C15	B242409CH	C6
A101206	A6	ALN4202006	E30	B080804SC	C2-C15	B242411CH	C6
A121204	A6	ALN4242006	E30	B100804	C2-C15	B302007CH	C6
A121206	A6	ALN4242010	E30	B100804CH	C2-C15	B302009CH	C6
A121504	A6	ALN4242408	E30	B100804CHQR	C2-C15	B302409CH	C6
A121604	A6	ALN4242410	E30	B100804CHS	C2-C15	B302413CH	C6
A121606	A6	ALN4302408	E30	B100804SC	C2-C15	B362407CH	C6
A121804	A6	ALN4302412	E30	B100806	C2-C15	B362409CH	C6
A121806	A6	ALN4362408	E30	B100806CH	C2-C15	B362411CH	C6
A151506	A6	ALN4363008	E30	B100806SC	C2-C15	B363009CH	C6
A151804	A6	ALN4363012	E30	B100845CHFTC	C15	B363013CH	C6
A161606	A6	ALN4483608	E30	B101004SC	C2-C15	B423609CH	C6
A181806	A6	ALN4603612	E30	B101006CH	C2-C15	B483611CH	C6
A182406	A6	ALNP1612	E30	B101006SC	C2-C15	B0604045CHFTC	C15
A242406	A6	ALNP1616	E30	B120604CH	C2-C15	B0606045CHFTC	C15
A243006	A6	ALNP2016	E30	B121005	C2-C15	B0806045CHFTC	C15
A243606	A6	ALNP2020	E30	B121005CH	C2-C15	BH0202	G2
A243608	A6	ALNP2420	E30	B121005CHQR	C2-C15	BH0202G	G2
ABN12242108	F23	ALNP2424	E30	B121005CHS	C2-C15	BH0404	G2
ABN12242508	F23	ALNP3024	E30	B121005SC	C2-C15	BH0404G	G2
ABN12302108	F23	ALNP3624	E30	B121008CH	C2-C15	BH0606	G2
ABN12302508	F23	ALNP3630	E30	B121055CHFTC	C15	BH0606G	G2
ABN12362510	F23	ALNP4836	E30	B121206	C2-C15	BH0808	G2
ABN12363108	F23	ALNP6036	E30	B121206CH	C2-C15	BH0808G	G2
ABN12363110	F23	B040403	C2-C15	B121206SC	C2-C15	BH1010	G2
ABN12423108	F23	B040403CH	C2-C15	B140806CH	C2-C15	BH1010G	G2
ABN12483710	F23	B040403SC	C2-C15	B141206	C2-C15	BH1212	G2
ABN12483812	F23	B040404	C2-C15	B141206CH	C2-C15	BH1212G	G2
ABN12483812A	F23	B040404CH	C2-C15	B141206CHQR	C2-C15	BN4040403	D2-D5
ABN12483816	F23	B040404SC	C2-C15	B141206CHS	C2-C15	BN4040403CH	D2-D5
ABN12603710	F23	B060403	C2-C15	B141206SC	C2-C15	BN4040403SS	E6
ABN12603812	F23	B060403CH	C2-C15	B141208CH	C2-C15	BN4060403	D2-D5
ABN12603812A	F23	B060403CHQR	C2-C15	B141265CHFTC	C15	BN4060403AL	E10
ABN12603816	F23	B060403SC	C2-C15	B161006CH	C2-C15	BN4060403CH	D2-D5
AF0202	G2	B060404	C2-C15	B161406	C2-C15	BN4060403SS	E6
AF0202G	G2	B060404CH	C2-C15	B1614065CHFTC	C15	BN4060404CHSS	E6