

N1C SERIES ENCLOSURES "SMALL" NEMA 1 HINGED WALL-MOUNT



N1C060604

Industry Standards

UL 50, Type 1

CSA Certified, Type 1

NEMA/EEMAC Type 1

 UL Files E6924

 CSA File LL66078

FEATURES-SPECIFICATIONS

Applications

Designed for use as control enclosures and instrument cases in areas not requiring oil-tight and dust-tight specifications.

Construction

- Bodies and doors fabricated from 14 gauge steel (reference tables)
- Continuous hinged covers
- Mounting holes on back of cabinet
- Grounding provisions provided

- Doors furnished standard with flushmount quarter-turn style latch
- Weldnuts provided for mounting optional back panels

Finish

- ANSI-61 gray polyester powder inside and out
- Optional back panels are white polyester powder

- Optional perforated panels are painted white polyester powder

Accessories

- Back panels (reference tables) and page I3
- Cylinder lock kit
- See pages J1-J22

"SMALL" N1C SERIES HINGE COVER ENCLOSURES						
CATALOG NUMBER	BODY/DOOR STEEL GAUGE	ENCLOSURE SIZE H+ ¹ / ₈ ", W+ ¹ / ₈ ", D+ ³ / ₁₆ "	BACK PANEL CATALOG NUMBER*		BACK PANEL STEEL GAUGE	BACK PANEL SIZE A X B
			PAINTED	PERFORATED		
N1C060604	14/14	6.00x6.00x4.00 (152x152x102)	N1P0606	N1P0606PP	14	4.25x4.25 (108x108)
N1C060804	14/14	8.00x6.00x4.00 (203x152x102)	N1P0608	N1P0608PP	14	6.25x4.25 (159x108)
N1C080804	14/14	8.00x8.00x4.00 (203x203x102)	N1P0808	N1P0808PP	14	6.25x6.25 (159x159)
N1C081004	14/14	10.00x8.00x4.00 (254x203x102)	N1P0810	N1P0810PP	14	8.25x6.25 (210x159)
N1C101004	14/14	10.00x10.00x4.00 (254x254x102)	N1P1010	N1P1010PP	14	8.25x8.25 (210x210)
N1C101204	14/14	12.00x10.00x4.00 (305x254x102)	N1P1012	N1P1012PP	14	10.25x8.25 (260x210)
N1C121204	14/14	12.00x12.00x4.00 (305x305x102)	N1P1212	N1P1212PP	14	10.25x10.25 (260x260)
N1C121404	14/14	14.00x12.00x4.00 (356x305x102)	N1P1214	N1P1214PP	14	12.25x10.25 (311x260)
N1C060806	14/14	8.00x6.00x6.00 (203x152x152)	N1P0608	N1P0608PP	14	6.25x4.25 (159x108)
N1C080806	14/14	8.00x8.00x6.00 (203x203x152)	N1P0808	N1P0808PP	14	6.25x6.25 (159x159)
N1C081006	14/14	10.00x8.00x6.00 (254x203x152)	N1P0810	N1P0810PP	14	8.25x6.25 (210x159)
N1C101006	14/14	10.00x10.00x6.00 (254x254x152)	N1P1010	N1P1010PP	14	8.25x8.25 (210x210)
N1C101206	14/14	12.00x10.00x6.00 (305x254x152)	N1P1012	N1P1012PP	14	10.25x8.25 (260x210)
N1C121206	14/14	12.00x12.00x6.00 (305x305x152)	N1P1212	N1P1212PP	14	10.25x10.25 (260x260)
N1C121406	14/14	14.00x12.00x6.00 (356x305x152)	N1P1214	N1P1214PP	14	12.25x10.25 (311x260)
N1C121606S	14/14	16.00x12.00x6.00 (406x305x152)	N1P1216	N1P1216PP	14	14.25x10.25 (362x260)
N1C122006	14/14	20.00x12.00x6.00 (508x305x152)	N1P1220	N1P1220PP	14	18.25x10.25 (464x260)
+ N1C121208	14/14	12.00x12.00x8.00 (305x305x203)	N1P1212	N1P1212PP	14	10.25x10.25 (260x260)
+ N1C121408	14/14	14.00x12.00x8.00 (356x305x203)	N1P1214	N1P1214PP	14	12.25x10.25 (311x260)

*Back panels must be ordered separately

(+) All products, unless otherwise denoted by a (+), are: H+1/8", W+1/8", D+3/16"

NOTE: Second numerical value of catalog # represents height.

**RHC SERIES ENCLOSURES
"SMALL" NEMA 3R HINGE COVER WALL-MOUNT**



RHC060604

Industry Standards

UL 50, Types 1 & 3R
CSA Certified, Type 1 & 3R
NEMA/EEMAC Type 1 & 3R

 UL File E6924

 CSA File LL66078

FEATURES-SPECIFICATIONS

Applications

Designed for use as wiring boxes and junction boxes. Provides protection in outdoor installations against rain, sleet, and snow, or indoors against dripping water.

Construction

- Bodies and doors fabricated from 16 gauge carbon steel
- Continuous hinge
- Lid is supplied with a padlockable draw latch

- Hinge is made of carbon steel with a stainless steel hinge pin
- Standard size enclosures are provided with knockouts in bottom
- Weldnuts provided for mounting optional back panels
- External mounting plates, top and bottom of enclosure
- Knockouts on bottom of enclosure
- Grounding provisions provided

Finish

- ANSI-61 gray polyester powder inside and out
- **Optional** back panels are white polyester powder
- **Optional** perforated panels are painted white polyester powder (See page I3)

Accessories

- Back panels (reference tables)
- See pages J1-J22

"SMALL" RHC SERIES HINGE COVER ENCLOSURES								
CATALOG NUMBER	BODY/DOOR STEEL GAUGE	ENCLOSURE SIZE H X W X D	KNOCKOUT PATTERN	BACK PANEL CATALOG NUMBER*		BACK PANEL SIZE A X B	C	E
				WHITE	PERFORATED			
RHC060604	16/16	6.06x6.00x4.13 (154x152x105)	G-F-G	N1P0606	N1P0606PP	4.25x4.25 (108x108)	8.00 (203)	7.00 (178)
RHC060804	16/16	8.06x6.00x4.13 (205x152x105)	G-F-G	N1P0608	N1P0608PP	6.25x4.25 (159x108)	10.00 (254)	9.00 (229)
RHC080804	16/16	8.06x8.00x4.13 (205x203x105)	G-F-G	N1P0808	N1P0808PP	6.25x6.25 (159x159)	10.00 (254)	9.00 (229)
RHC080806	16/16	8.06x8.00x6.13 (205x203x156)	G-F-G	N1P0808	N1P0808PP	6.25x6.25 (159x159)	10.00 (254)	9.00 (229)
RHC081006	16/16	10.06x8.00x6.13 (256x203x156)	G-F-G	N1P0810	N1P0810PP	8.25x6.25 (210x159)	12.00 (305)	11.00 (279)
RHC101206	16/16	12.06x10.00x6.13 (306x254x156)	G-F-G	N1P1012	N1P1012PP	10.25x8.25 (260x210)	14.00 (356)	13.00 (330)
RHC121206	16/16	12.06x12.00x6.13 (306x305x156)	F-G-H-I-G	N1P1212	N1P1212PP	10.25x10.25 (260x260)	14.00 (356)	13.00 (330)

* Back panels must be ordered separately.

NOTE: Second numerical value of catalog # represents height.

WA-GIE SERIES ENCLOSURES NEMA 12 JIC HINGED SCREW COVER WALL-MOUNT



WA060604GIE

Industry Standards

UL 50, Types 12 & 13
CSA Certified, Type 12
NEMA/EEMAC Type 12 & 13
JIC EL-1-71

 UL File E6924

 CSA File LL66078

FEATURES-SPECIFICATIONS

Applications

Designed for use as instrument housings, electrical control enclosures, terminal wiring boxes or electrical junction boxes. Provides protection from dirt, dust, oil and water.

Construction

- Fabricated from 14 gauge steel
- Continuously welded seams ground smooth, less knockouts or holes

- Lids are sealed with closed cell oil resistant neoprene gasket
- Cover is secured by continuous hinge
- Captivated door screws thread into sealed wells
- No mounting feet or mounting holes are provided
- Weldnuts are provided to mount optional panels
- Grounding provisions provided

Finish

- ANSI-61 gray polyester powder inside and out
- **Optional** back panels are white polyester powder

Accessories

- Back panels (reference tables)
- See pages J1-J22

WA-GIE SERIES JIC HINGED SCREW COVER ENCLOSURES									
CATALOG NUMBER	ENCLOSURE CATALOG H X W X D	BACK PANEL CATALOG NUMBER*	BACK PANEL SIZE A X B	OVERALL L X M	F	J	N	O	P
		WHITE							
WA060604GIE	6.00x6.00x4.00 (152x152x102)	N1P0606	4.25x4.25 (108x108)	6.31x6.31 (160x160)	3.53 (90)	0.88 (22)	2.78 (71)	3.59 (91)	0.56 (14)
WA080604GIE	8.00x6.00x4.00 (203x152x102)	N1P0608	6.25x4.25 (159x108)	8.31x6.31 (211x160)	3.53 (90)	0.88 (22)	2.78 (71)	3.59 (91)	0.56 (14)
WA080804GIE	8.00x8.00x4.00 (203x203x102)	N1P0808	6.25x6.25 (159x159)	8.31x8.31 (211x211)	3.53 (90)	0.88 (22)	2.78 (71)	3.59 (91)	0.56 (14)
WA080806GIE	8.00x8.00x6.00 (203x203x152)	N1P0808	6.25x6.25 (159x159)	8.31x8.31 (211x211)	5.53 (141)	0.88 (22)	4.78 (121)	5.59 (142)	0.56 (14)
WA100804GIE	10.00x8.00x4.00 (254x203x102)	N1P0810	8.25x6.25 (210x159)	10.31x8.31 (262x211)	3.53 (90)	0.88 (22)	2.78 (71)	3.59 (91)	0.56 (14)
WA100806GIE	10.00x8.00x6.00 (254x203x152)	N1P0810	8.25x6.25 (210x159)	10.31x8.31 (262x211)	5.53 (141)	0.88 (22)	4.78 (121)	5.59 (142)	0.56 (14)
WA101006GIE	10.00x10.00x6.00 (254x254x152)	N1P1010	8.25x8.25 (210x210)	10.31x10.31 (262x262)	5.53 (141)	0.88 (22)	4.78 (121)	5.59 (142)	0.56 (14)
WA121004GIE	12.00x10.00x4.00 (305x254x102)	N1P1012	10.25x8.25 (260x210)	12.31x10.31 (313x262)	3.53 (90)	0.88 (22)	2.78 (71)	3.59 (91)	0.56 (14)
WA121006GIE	12.00x10.00x6.00 (305x254x152)	N1P1012	10.25x8.25 (260x210)	12.31x10.31 (313x262)	5.53 (141)	0.88 (22)	4.78 (121)	5.59 (142)	0.56 (14)
WA121206GIE	12.00x12.00x6.00 (305x305x152)	N1P1212	10.25x10.25 (260x260)	12.31x12.31 (313x313)	5.53 (141)	0.88 (22)	4.78 (121)	5.59 (142)	0.56 (14)
WA141206GIE	14.00x12.00x6.00 (356x305x152)	N1P1214	12.25x10.25 (311x260)	14.31x12.31 (364x313)	5.53 (141)	0.88 (22)	4.78 (121)	5.59 (142)	0.56 (14)

* Back panels must be ordered separately.

**N1P SERIES BACK PANELS
ACCESSORY PANELS FOR SMALL NIC & RHC ENCLOSURES**



N1P0606PP



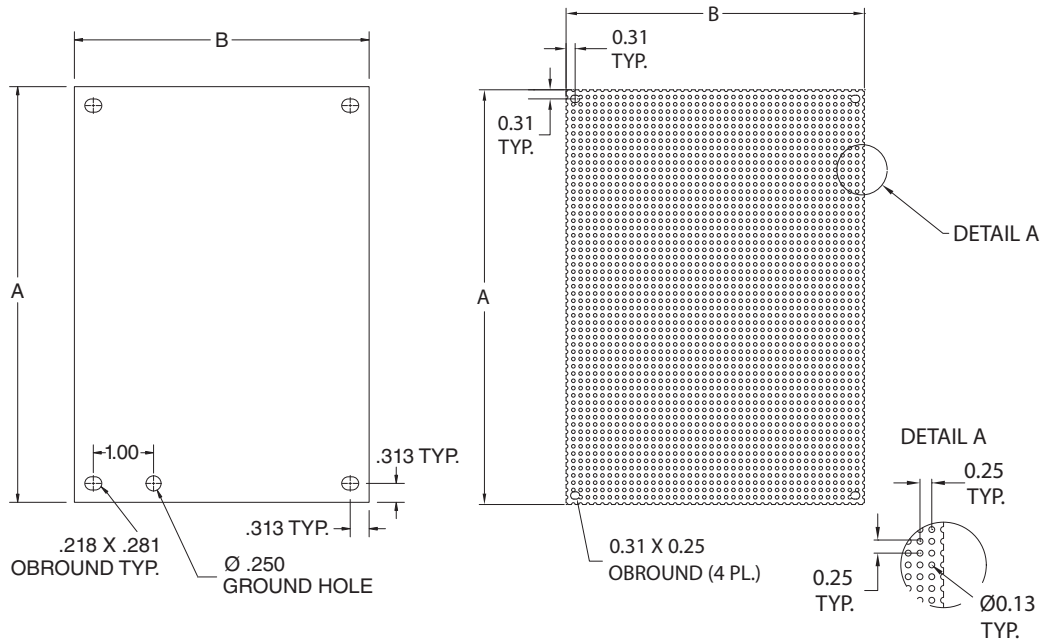
N1P0606

FEATURES-SPECIFICATIONS

Description

- 14 gauge (non-perforated)
- White polyester powder
- Panels fit the following enclosures:
 - NEMA 1 Small (NIC)
 - NEMA 3R Small (RHC)
 - NEMA 12 WAGIE
- Perforated steel panels are 14 gauge
- Accept self-tapping screws - eliminates the need to measure, mark and drill when mounting components
- Panels are used for mounting lightweight control components

BACK PANELS FOR SMALL NIC & RHC ENCLOSURES		
CATALOG NUMBER		PANEL SIZE A X B
PAINTED	PERFORATED	
N1P0606	N1P0606PP	4.25x4.25 (108x108)
N1P0608	N1P0608PP	6.25x4.25 (159x108)
N1P0808	N1P0808PP	6.25x6.25 (159x159)
N1P0810	N1P0810PP	8.25x6.25 (210x159)
N1P1010	N1P1010PP	8.25x8.25 (210x210)
N1P1012	N1P1012PP	10.25x8.25 (260x210)
N1P1212	N1P1212PP	10.25x10.25 (260x260)
N1P1214	N1P1214PP	12.25x10.25 (311x260)
N1P1216	N1P1216PP	14.25x10.25 (362x260)
N1P1220	N1P1220PP	18.25x10.25 (464x260)



PART NUMBER	PAGE	PART NUMBER	PAGE	PART NUMBER	PAGE	PART NUMBER	PAGE
LOH202008	B8	N12302408	C16	N12606010	C21	N1C202410LP	A10
LOH242008	B8	N12302410	C16	N12606012	C21	N1C203006LP	A10
LOH242408	B8	N12302412	C16	N12606016	C21	N1C242008LP	A10
LOH302408	B8	N12302416	C16	N12606024	C21	N1C242406LP	A10
MM08600-4	K24-K42	N12302420	C16	N12723012	C16	N1C242408LP	A10
MM08601-5	K24-K42	N12302424	C16	N12723016	C16	N1C242412LP	A10
MM08602-7	K24-K42	N12303008	C16	N12723612	C16	N1C243006LP	A10
MM08608-10	K24-K42	N12303012	C16	N12726010	C21	N1C243008LP	A10
N12122406	C16	N12303608	C16	N12726012	C21	N1C243010LP	A10
N12122408	C16	N12362406	C16	N12726016	C21	N1C243012LP	A10
N12161206	C16	N12362408	C16	N12726020	C21	N1C243606LP	A10
N12161208	C16	N12362410	C16	N12726024	C21	N1C243608LP	A10
N12161210	C16	N12362412	C16	N12727210	C21	N1C303008LP	A10
N12161606	C16	N12363006	C16	N12727212	C21	N1C303606LP	A10
N12161608	C16	N12363008	C16	N12727216	C21	N1C303608LP	A10
N12162006	C16	N12363010	C16	N12727220	C21	N1C303612LP	A10
N12162008	C16	N12363012	C16	N12727224	C21	N1C304209	A12
N12201206	C16	N12363016	C16	N1C060604	A8	N1C304213	A12
N12201208	C16	N12363020	C16	N1C060804	A8	N1C364209	A12
N12201606	C16	N12363608	C16	N1C060806	A8	N1C364809	A12
N12201608	C16	N12363612	C16	N1C080804	A8	N1C364811	A12
N12201610	C16	N12422408	C16	N1C080806	A8	N1C364817	A12
N12201612	C16	N12423008	C16	N1C081004	A8	N1P0606	I3
N12202006	C16	N12423010	C16	N1C081006	A8	N1P0606PP	I3
N12202008	C16	N12423012	C16	N1C101004	A8	N1P0608	I3
N12202010	C16	N12423608	C16	N1C101006	A8	N1P0608PP	I3
N12202406	C16	N12423610	C16	N1C101204	A8	N1P0808	I3
N12202408	C16	N12423612	C16	N1C101206	A8	N1P0808PP	I3
N12241206	C16	N12423616	C16	N1C121204	A8	N1P0810	I3
N12241208	C16	N12482408	C16	N1C121206	A8	N1P0810PP	I3
N12241210	C16	N12483008	C16	N1C121208	A8	N1P1010	I3
N12241606	C16	N12483010	C16	N1C121404	A8	N1P1010PP	I3
N12241608	C16	N12483608	C16	N1C121406	A8	N1P1012	I3
N12242006	C16	N12483610	C16	N1C121408	A8	N1P1012PP	I3
N12242008	C16	N12483612	C16	N1C121606LP	A8	N1P1212	I3
N12242010	C16	N12483616	C16	N1C121606S	A8	N1P1212PP	I3
N12242012	C16	N12483620	C16	N1C121608LP	A8	N1P1214	I3
N12242016	C16	N12544208	C21	N1C122006	A8	N1P1214PP	I3
N12242406	C16	N12603608	C16	N1C14T	J2-J19	N1P1216	I3
N12242408	C16	N12603610	C16	N1C14TKL	J2-J19	N1P1216PP	I3
N12242410	C16	N12603612	C16	N1C161606LP	A10	N1P1216L	A11
N12242412	C16	N12603616	C16	N1C162006LP	A10	N1P1216LPP	A11
N12242416	C16	N12603620	C16	N1C162008LP	A10	N1P1220	I3
N12243008	C16	N12604808	C21	N1C162406LP	A10	N1P1220PP	I3
N12301606	C16	N12604810	C21	N1C201606LP	A10	N1P1616	A11
N12302006	C16	N12604812	C21	N1C202006LP	A10	N1P1616PP	A11
N12302008	C16	N12604816	C21	N1C202008LP	A10	N1P1620	A11
N12302010	C16	N12604820	C21	N1C202406LP	A10	N1P1620PP	A11
N12302406	C16	N12604824	C21	N1C202408LP	A10	N1P1624	A11