

Application

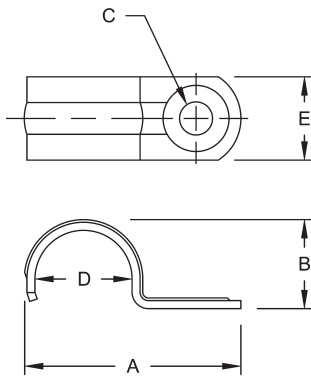
- For use in mounting EMT conduit

Product Features

- All steel construction insures mechanical protection
- RACO® steel one-hole straps snap on to the conduit, allowing the installer to easily position the strap before mounting
- Oversized bolt holes make alignment of the fastener quick and easy
- All straps are zinc electro plated for corrosion protection



ONE HOLE PUSH-ON STRAPS
STAMPED STEEL



- A = Overall length
- B = Height
- C = Hole size
- D = Diameter
- E = Width of strap

ORDERING INFORMATION - DIMENSIONS

ONE HOLE PUSH-ON STRAPS STAMPED - STEEL

CATALOG NUMBER	TRADE SIZE	UNIT CTN. QTY.	SHIP CTN. QTY.	UPC BAR CODE
2082	1/2"	100	1000	—
2083	3/4"	50	500	—
2084	1"	50	500	—
2085	1-1/4"	—	50	—
2086	1-1/2"	—	50	—
2088	2"	—	25	—
1337	2-1/2"	—	25	—
1339	3"	—	25	—
1340	3-1/2"	—	10	—
1341	4"	—	10	—

DIMENSIONS

CATALOG NUMBER	A	B	C	D	E
2082	1-5/8"	49/64"	1/4"	23/32"	5/8"
2083	2-3/16"	1"	9/32"	59/64"	5/8"
2084	2-9/16"	1-9/32"	9/32"	1-11/64"	3/4"
2085	3-1/8"	1-41/64"	9/32"	1-17/32"	7/8"
2086	3-5/8"	1-57/64"	11/32"	1-3/4"	1"
2088	4-7/16"	2-25/64"	11/32"	2-3/16"	1-1/8"
1337	5-5/16"	3-1/16"	21/32"	2-7/8"	1-1/4"
1339	6-1/16"	3-11/16"	21/32"	3-1/2"	1-1/4"
1340	6-7/8"	4-1/4"	21/32"	4"	1-1/4"
1341	7-3/8"	4-3/4"	21/32"	4-1/2"	1-1/4"