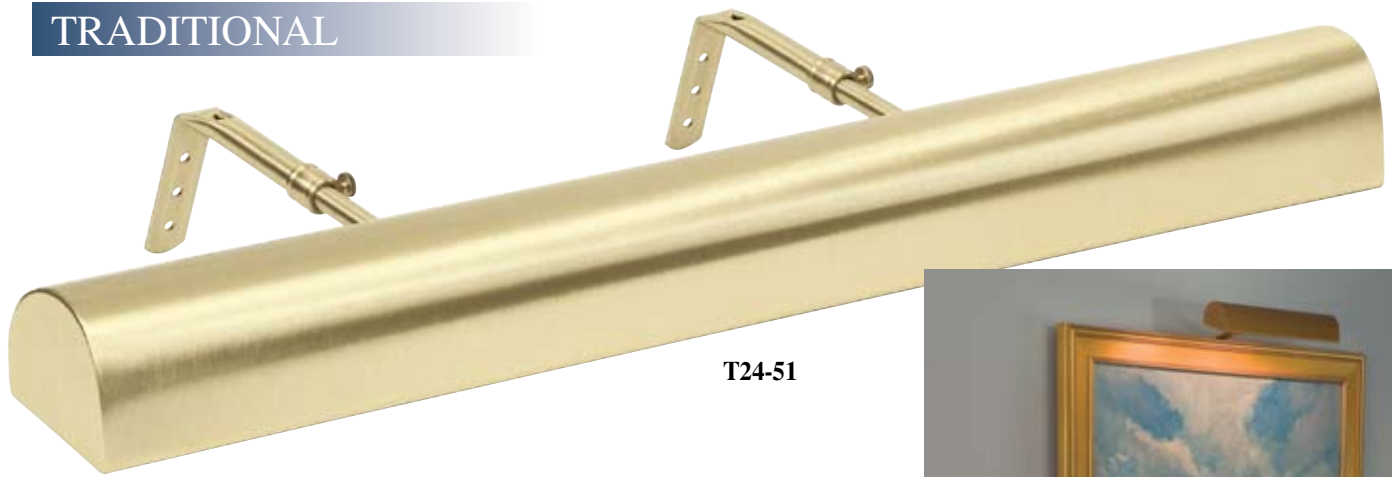


Classic Picture Lights

TRADITIONAL



T24-51



T8-1



T14-1

SIZE SELECTION
Shade length should be
one half the width of the
image it is illuminating.

Specifications

T4" & T5" shades { California Title 20
one 15T7F bulb { as shown for 5" only

T8" and T9" shades { California Title 20
one 25 or 40T10F bulb { one candelabra socket

T14" and T18" shades { California Title 20
two 25 or 40T10F bulbs { two candelabra sockets

7" center to center
T21" shade { California Title 20
three 25 or 40T10F bulbs { three candelabra sockets

10" center to center
T 24" shade { California Title 20
three 25 or 40T10F bulbs { three candelabra sockets

16" center to center
T30" shade
four 25 or 40T10F bulbs

11" center to center 11" center to center
T36" shade
five 25 or 40T10F bulbs

14" center to center 14" center to center
T42" shade
six 25 or 40T10F bulbs

Finishes

- Gold #1
- Gold Wrinkle #2
- Bronze #5
- Pewter #31
- Satin Brass #51
- Statuary Bronze #56
- Polished Brass #61
- Antique Brass #71
- Weathered Brass #76
- Mahogany Bronze #81

Custom orders available on request.

NOTE:

Traditional Series Picture Lights with more than one arm, have a pre-wired, aluminum splice-box (2" x 2" x 3/8") which hangs behind the artwork.