

## Overlapping Cover, Type 4X

### Flat Cover with Latches, Type 4X



#### Industry Standards

UL 508A Listed; Type 3, 3R, 4, 4X, 12, 13; File No. E54315  
cUL Listed per CSA C22.2 No 94; Type 3, 3R, 4, 4X, 12, 13; File No. E54315

Enclosure flammability per UL 508A

NEMA/EEMAC Type 3, 3R, 4, 4X, 12, 13  
CSA File No. 217184: Type 3, 3R, 4, 4X, 12, 13  
IEC 60529, IP66

Meets NEMA Type 3RX requirements

#### Application

Enclosures feature a flat, overlapping cover design that ensures a more-secure seal. Available with solid and window covers. Latches provide easy access and security.

#### Specifications

- Compression-molded fiberglass construction
- Overlapping solid- and window-cover models are available
- Windows are clear polycarbonate
- Cover fastens with padlockable Type 316 stainless steel latches
- Type 304 stainless steel piano hinges
- Integral mounting brackets
- Enclosures protect equipment and operators from indirect electrical contact

#### Finish

Fiberglass material is RAL 7035 light-gray inside and out. Optional steel panels are painted white. Optional stainless steel, aluminum, conductive and composite panels are unpainted.

#### Accessories

See also Accessories.

H2OMIT® Vent Drains, Type 4X  
HOL-SEALERS™ Non-Metallic Hole Seals  
Panels for Junction Boxes  
Swing-Out Panel Kit  
Terminal Block Kit Assembly for Junction Boxes Overview  
Ventilators

#### Modification and Customization

Hoffman excels at modifying and customizing products to your specifications. Contact your local Hoffman sales office or distributor for complete information.

Bulletin: HJ

# Overlapping Cover, Type 4X

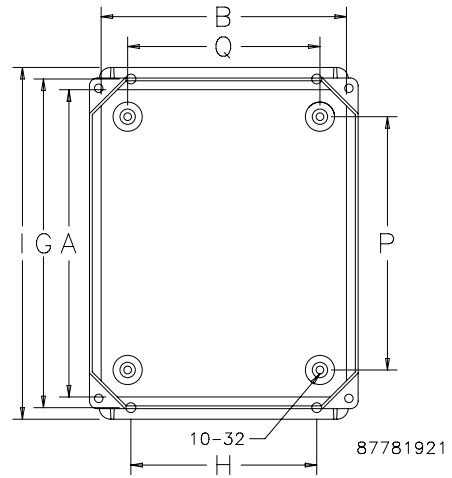
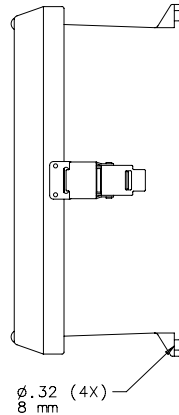
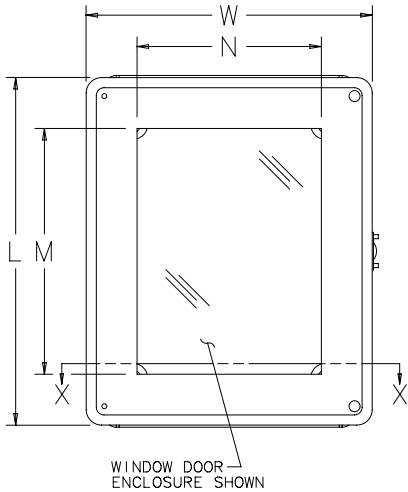
## Standard Product

| Catalog Number | AxBxCin./mm          | No. of Latches | Window Size   |          |          |          |          |          |          |          |          |          |          | Steel Panel | Aluminum Panel | Panel Size in./mm |               |
|----------------|----------------------|----------------|---------------|----------|----------|----------|----------|----------|----------|----------|----------|----------|----------|-------------|----------------|-------------------|---------------|
|                |                      |                | M x N in./mm  | D in./mm | F in./mm | G in./mm | H in./mm | I in./mm | J in./mm | K in./mm | L in./mm | P in./mm | Q in./mm |             |                |                   | W in./mm      |
| HJ606HWPL1LG   | 6.00 x 6.00 x 4.10   | 1              | —             | 4.96     | 4.64     | 6.77     | 4.01     | 7.52     | 4.34     | 0.50     | 7.31     | 4.26     | 4.25     | 7.31        | A6P6           | A6P6AL            | 4.88 x 4.88   |
|                | 152 x 152 x 104      | —              | —             | 126      | 118      | 172      | 102      | 191      | 110      | 13       | 186      | 108      | 105      | 186         | —              | —                 | 124 x 124     |
| HJ806HWPL1LG   | 8.00 x 6.00 x 4.10   | 1              | —             | 4.96     | 4.64     | 8.74     | 4.01     | 9.50     | 3.19     | 1.65     | 9.30     | 6.26     | 4.25     | 7.31        | A8P6           | A8P6AL            | 6.75 x 4.88   |
|                | 203 x 152 x 104      | —              | —             | 126      | 118      | 222      | 102      | 241      | 81       | 42       | 276      | 159      | 108      | 186         | —              | —                 | 171 x 124     |
| HJ1008HWPL1LG  | 10.00 x 8.00 x 4.59  | 1              | —             | 5.43     | 5.12     | 10.75    | 6.02     | 11.52    | 3.66     | 1.65     | 11.31    | 8.25     | 6.24     | 9.31        | A10P8          | A10P8AL           | 8.75 x 6.88   |
|                | 254 x 203 x 117      | —              | —             | 138      | 130      | 276      | 153      | 293      | 93       | 42       | 287      | 210      | 158      | 236         | —              | —                 | 222 x 102     |
| HJ1210HWPL2LG  | 12.00 x 10.00 x 4.74 | 2              | —             | 5.58     | 5.25     | 12.75    | 8.01     | 13.51    | 3.81     | 1.65     | 13.30    | 10.25    | 8.25     | 11.29       | A12P10         | A12P10AL          | 10.75 x 8.88  |
|                | 305 x 254 x 120      | —              | —             | 142      | 133      | 324      | 203      | 343      | 97       | 42       | 338      | 260      | 210      | 287         | —              | —                 | 273 x 226     |
| HJ1412HWPL2LG  | 14.00 x 12.00 x 5.74 | 2              | —             | 6.70     | 6.38     | 14.75    | 10.00    | 15.50    | 4.93     | 1.65     | 15.32    | 12.25    | 10.24    | 13.30       | A14P12         | A14P12AL          | 12.75 x 10.88 |
|                | 356 x 305 x 146      | —              | —             | 170      | 162      | 375      | 254      | 394      | 125      | 42       | 389      | 311      | 260      | 338         | —              | —                 | 324 x 276     |
| HJ1614HWPL2LG  | 16.00 x 14.00 x 5.74 | 2              | —             | 6.70     | 6.38     | 16.73    | 12.00    | 17.52    | 4.93     | 1.65     | 17.31    | 14.25    | 12.24    | 15.30       | A16P14         | A16P14AL          | 14.75 x 12.88 |
|                | 406 x 356 x 146      | —              | —             | 170      | 162      | 425      | 305      | 445      | 125      | 42       | 440      | 362      | 311      | 389         | —              | —                 | 375 x 327     |
| HJ1816HWPL2LG  | 18.00 x 16.00 x 8.62 | 2              | —             | 9.58     | 9.25     | 18.74    | 12.00    | 19.50    | 7.81     | 1.65     | 19.31    | 16.25    | 14.25    | 17.31       | A18P16         | A18P16AL          | 16.75 x 14.88 |
|                | 457 x 406 x 219      | —              | —             | 243      | 235      | 476      | 305      | 495      | 198      | 42       | 490      | 413      | 362      | 440         | —              | —                 | 425 x 378     |
| HJB606HWPL1LG  | 6.00 x 6.00 x 4.10   | 1              | 4.00 x 4.00   | 4.96     | 4.64     | 6.77     | 4.01     | 7.52     | 4.34     | 0.50     | 7.31     | 4.25     | 4.25     | 7.31        | A6P6           | A6P6AL            | 4.88 x 4.88   |
|                | 152 x 152 x 104      | —              | 102 x 102     | 126      | 118      | 172      | 102      | 191      | 110      | 13       | 186      | 108      | 108      | 186         | —              | —                 | 124 x 124     |
| HJB806HWPL1LG  | 8.00 x 6.00 x 4.10   | 1              | 6.00 x 4.00   | 4.96     | 4.64     | 8.74     | 4.01     | 9.50     | 3.19     | 1.65     | 9.30     | 6.26     | 4.25     | 7.31        | A8P6           | A8P6AL            | 6.75 x 1.88   |
|                | 203 x 152 x 104      | —              | 152 x 102     | 126      | 118      | 222      | 102      | 241      | 81       | 42       | 276      | 159      | 108      | 186         | —              | —                 | 171 x 124     |
| HJB1008HWPL1LG | 10.00 x 8.00 x 4.59  | 1              | 8.00 x 6.00   | 5.43     | 5.12     | 10.75    | 6.02     | 11.52    | 3.66     | 1.65     | 11.31    | 8.25     | 6.24     | 9.31        | A10P8          | A10P8AL           | 8.75 x 6.88   |
|                | 254 x 203 x 117      | —              | 203 x 152     | 138      | 130      | 273      | 153      | 293      | 93       | 42       | 287      | 210      | 158      | 236         | —              | —                 | 222 x 102     |
| HJB1210HWPL2LG | 12.00 x 10.00 x 4.74 | 2              | 10.00 x 8.00  | 5.58     | 5.24     | 12.75    | 8.01     | 13.52    | 3.81     | 1.65     | 13.30    | 10.25    | 8.25     | 11.29       | A12P10         | A12P10AL          | 10.78 x 8.88  |
|                | 305 x 254 x 120      | —              | 254 x 203     | 142      | 133      | 324      | 203      | 343      | 97       | 42       | 338      | 324      | 210      | 287         | —              | —                 | 273 x 226     |
| HJB1412HWPL2LG | 14.00 x 12.00 x 5.74 | 2              | 12.00 x 10.00 | 6.70     | 6.38     | 14.75    | 10.00    | 15.50    | 4.93     | 1.65     | 15.32    | 12.25    | 10.24    | 13.30       | A14P12         | A14P12AL          | 12.75 x 10.88 |
|                | 356 x 305 x 146      | —              | 305 x 254     | 170      | 162      | 375      | 254      | 394      | 125      | 42       | 389      | 311      | 260      | 338         | —              | —                 | 324 x 276     |
| HJB1614HWPL2LG | 16.00 x 14.00 x 5.74 | 2              | 14.00 x 12.00 | 6.70     | 6.38     | 16.73    | 12.00    | 17.52    | 4.93     | 1.65     | 17.31    | 14.25    | 12.24    | 15.30       | A16P14         | A16P14AL          | 14.75 x 12.88 |
|                | 406 x 356 x 146      | —              | 356 x 305     | 170      | 162      | 425      | 305      | 445      | 125      | 42       | 440      | 362      | 311      | 389         | —              | —                 | 375 x 327     |
| HJB1816HWPL2LG | 18.00 x 16.00 x 8.62 | 2              | 16.00 x 14.00 | 9.58     | 9.25     | 18.74    | 12.00    | 19.50    | 7.81     | 1.65     | 19.31    | 16.25    | 14.25    | 17.31       | A18P16         | A18P16AL          | 16.75 x 14.88 |
|                | 457 x 406 x 219      | —              | 406 x 356     | 243      | 235      | 476      | 305      | 495      | 198      | 42       | 490      | 413      | 362      | 440         | —              | —                 | 425 x 378     |

A x B x Care internal dimensions.

Purchase panels separately. Optional stainless steel, composite and aluminum panels are available for most sizes.

## Flat Cover Window Enclosures



Top View with Door/Cover Removed

