

## RJ45FC5E-ORN

Category 5e modular keystone jack - Orange - 1/bag

Article Number: 852-25048



Part Number: RJ45FC5E-ORN

Type: RJ45FC5E



### Base Data

**Part No.** RJ45FC5E-ORN

**Type** RJ45FC5E

**Color** Orange

**Features**

When using HellermannTyton's modular jacks, patch panels, and patch cords with approved horizontal cables, the GigaBand® Category 6 and MegaBand® Category 5e systems far exceed the TIA requirements for structured cabling systems. HellermannTyton's modular jacks are an integral part of the Category 6 and Category 5e systems, offering quality, versatility and reliability.

- Quality –
- Standard keystone style interface
- RJ45 terminated to a 110 IDC PCB connector
- Jack life a maximum of 1,000 insertions
- Contact set constructed of phosphor bronze

material with 50 micro-inch gold plating• Components manufactured from UL94V-0 thermoplastic material• Unique strain relief design secures cable terminations• Innovative crosstalk cancellation technology – 10 internal contacts (two extra to cancel out crosstalk) and 8 external contacts in standard configuration to accept industry standard patch cords• Staggered contacts provide superior performanceVersatility –• Configured with both 568A and 568B wiring schemes• IDC accepts 22-26 AWG solid twisted-pair cable• Available in 12 colors to match any faceplate or color coding identification• Palm tool available for easy on-site installationReliability –• RJ45 jacks are factory tested 200 times with an RJ11 plug (4P or 6P) to ensure there is no damage to the contacts. • Each jack is individually tested three times to ensure quality performance• IDC is factory tested to 50 terminations

## Logistic and Packaging

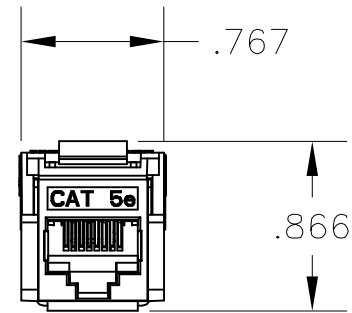
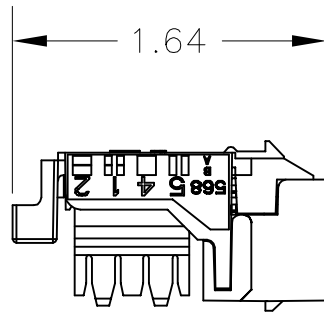
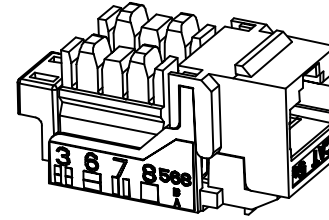
---

<b>Packaging Type</b>	bag
<b>Pkg. Qty.</b>	1 / 1
<b>Carton Qty.</b>	50
<b>Minimum Order Quantity</b>	1
<b>UPC</b>	08930621471

## Technical Specifications and Drawings

---

- [RJ45FC5E-ORN \(Technical Drawing\) \(dwg\)](#)



**HellermannTyton**  
 A SPIRENT Company

CATALOG NUMBER:	RJ45FC5E
DESCRIPTION:	CAT 5E FLUSH MOUNT JACK
	SIZE: A
	SCALE: 1:1

ALL PROPRIETARY RIGHTS IN THE SUBJECT MATTER SHOWN ON THIS DRAWING ARE EXCLUSIVE PROPERTY OF HELLERMANNTYTON

5

4

3

2

1

## Modular Jacks

When using HellermannTyton's modular jacks, patch panels, and patch cords with approved horizontal cables, the GigaBand® Category 6 and MegaBand® Category 5e systems far exceed the TIA requirements for structured cabling systems. HellermannTyton's modular jacks are an integral part of the Category 6 and Category 5e systems, offering quality, versatility, and reliability.

### Quality –

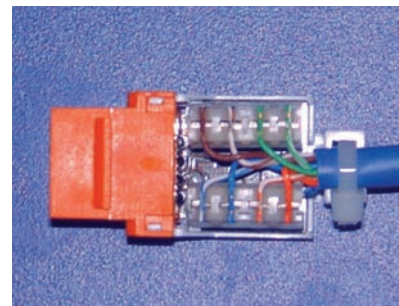
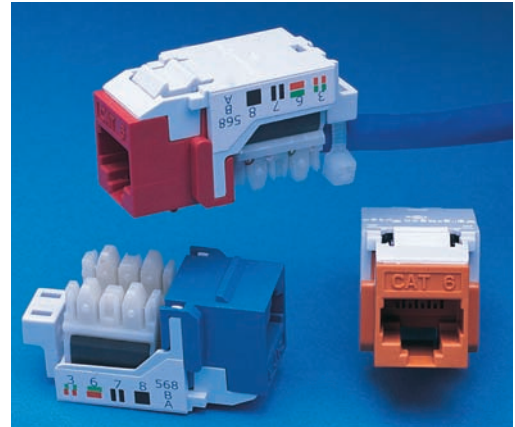
- Standard keystone style interface
- RJ45 terminated to a 110 IDC PCB connector
- Jack life up to 1,000 insertions
- Contact set constructed of phosphor bronze material with 50 micro-inch gold plating
- Components manufactured from UL94V-0 thermoplastic material
- Unique strain relief design secures cable terminations
- Innovative crosstalk cancellation technology – 10 internal contacts (two extra to cancel out crosstalk) and 8 external contacts in standard configuration to accept industry standard patch cords
- Staggered contacts provide superior performance

### Versatility –

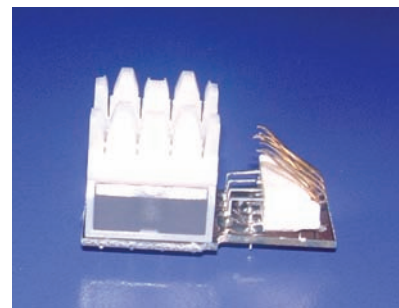
- Configured with both 568A and 568B wiring schemes
- IDC accepts 22-26 AWG solid twisted-pair cable
- Available in 12 colors to match any faceplate or color coding identification
- Palm tool available for easy on-site installation

### Reliability –

- RJ45 jacks are factory tested 200 times with an RJ11 plug (4P or 6P) to ensure there is no damage to the contacts
- Each jack is individually tested three times to ensure quality performance
- IDC is factory tested to 50 terminations



*Cable strain relief*





*Patented crosstalk cancellation technology*

### Category 6 GigaBand® Flush Jack

HellermannTyton's GigaBand flush Category 6 modular jack is designed to "future proof" installations. Its patented design uses innovative crosstalk cancellation technology. The performance of the GigaBand system provides significant margin over TIA Category 6 (TIA/EIA-568-B.2-1) and ISO Class E (ISO/IEC-11801, 2nd edition) requirements. The GigaBand system will easily support emerging applications such as Gigabit Ethernet. **ETL tested and approved for Category 6 component compliance.**

**400 MHz**  
system supports  
data rates up to  
**4.8 Gb/s**

#### Product Selection



Part Number	Description	Pkg. Qty.	Carton Qty.
<b>RJ45FC6-X</b>	Category 6 Flush Mount Keystone Jack	1	50
	Replace "X" in the part number with the following letters for desired color: X = BLK (black), BLU (blue), BRN (brown), FW (office white), GRN (green), GRY (gray), I (ivory), ORN (orange), RED (red), VIO (violet), W (white), YEL (yellow).		
	1 PIPT palm tool included in each carton of 50. For bulk packaging of 50 jacks per box without bags, order part number RJ45FC6B-X See next page for more information		

### Category 5e MegaBand® Flush Jack

The MegaBand flush Category 5e modular jack offers exceptional performance that will support Gigabit Ethernet and 622 Mbps ATM applications with complete reliability. This Category 5e jack meets and exceeds the requirements of TIA/EIA-568-B.2.

**200 MHz**  
system supports  
data rates up to  
**2.4 Gb/s**

#### Product Selection

Part Number	Description	Pkg. Qty.	Carton Qty.
<b>RJ45FC5E-X</b>	Category 5e Flush Mount Keystone Jack	1	50
	Replace "X" in the part number with the following letters for desired color: X = BLK (black), BLU (blue), BRN (brown), FW (office white), GRN (green), GRY (gray), I (ivory), ORN (orange), RED (red), VIO (violet), W (white), YEL (yellow).		
	1 PIPT palm tool included in each carton of 50. For bulk packaging of 50 jacks per box without bags, order part number RJ45FC5EB-X See next page for more information		



W (white) FW (office white) I (ivory) GRY (gray) BLK (black) YEL (yellow) ORN (orange) BRN (brown) BLU (blue) GRN (green) VIO (violet) RED (red)

Reference appendix for installation instructions and wiring diagram for modular jacks.