

FIGURE A

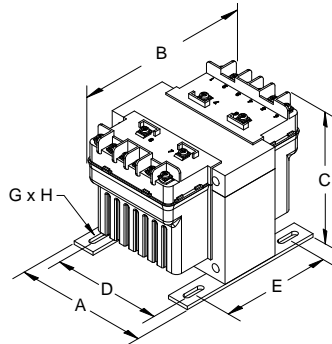


FIGURE B

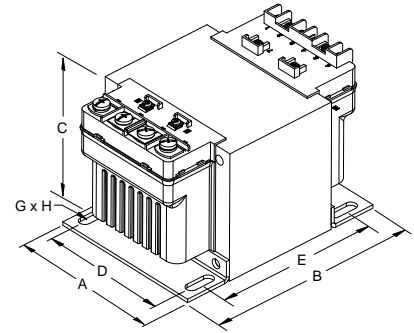


FIGURE C

Group I

Primary Voltage: 480/240 || **460/230/208** || 440/220/200
 Secondary Voltage: 120/25 || **115/24** || 110/23

cUL[®] US CE 50/60 Hertz

VA Rating	Catalog Number	Mtg. Fig.	Output Amps	Overall Dimensions			Mounting Centers		Mounting Slot G X H	Height with Finger Guard	Depth with Finger Guard	Approx. Ship Weight Lbs.	Optional Primary Fuse Kit P/N	Optional Unfused and Fused Finger Guard Kit P/N
				A	B	C	D	E						
50	PH50MLI	A	0.43/2.08	3.25	4.06	3.56	2.63	2.50	0.22 x 0.44	4.37	5.50	4.00	PFK5	FG2*/FGF2
75	PH75MLI	A	0.65/3.13	3.25	4.25	3.56	2.63	2.50	0.22 x 0.44	4.37	5.69	4.60	PFK5	FG2*/FGF2
100	PH100MLI	A	0.87/4.17	3.25	4.69	3.63	2.63	2.63	0.22 x 0.44	4.44	6.13	5.20	PFK5	FG2*/FGF2
150	PH150MLI	B	1.30/6.25	4.00	5.44	3.81	3.38	2.75	0.22 x 0.75	4.50	6.94	7.60	PFK6	FG3
250	PH250MLI	B	2.17/10.42	4.50	5.19	4.44	3.75	3.75	0.22 x 0.75	4.94	6.69	10.1	PFK6	FG4
350	PH350MLI	B	3.04/14.58	4.50	5.56	4.44	3.75	3.75	0.22 x 0.75	4.94	7.06	11.0	PFK7	FG4
500	PH500MLI	B	4.35/20.83	4.75	6.69	4.31	4.06	4.50	0.31 x 0.94	4.81	8.19	16.3	PFK7	FG4
750	PH750MLI	C	6.52/31.25	5.25	6.50	4.94	4.50	4.13	0.31 x 0.81	5.56	8.00	21.0	PFK7	FG5
1000	PH1000MLI	C	8.70/41.67	5.25	8.19	4.94	4.50	5.81	0.31 x 0.81	5.56	9.69	31.2	PFK7	FG5

Secondary fuse clips and fuse clip mounting screws supplied standard with transformers up to and including 500VA. All dimensions in inches
 Primary and Secondary voltage links/jumpers supplied standard with transformers up to and including 1000VA.
 *Note: Unfused finger guard kits are marked with an asterisk, for more information refer to page 45.
 Refer to page 72 for wiring schematic drawing. Custom voltages and VA sizes available upon request.
 *** Available with FACTORY INSTALLED Primary and Secondary Fuse Kits up to 1000VA. To order, add the suffix "-FK" to the above part number. Refer to page 44 for details. ***

Group J

Primary Voltage: 415/400/380
 Secondary Voltage: 110 X 220

cUL[®] US CE 50/60 Hertz

VA Rating	Catalog Number	Mtg. Fig.	Output Amps	Overall Dimensions			Mounting Centers		Mounting Slot G X H	Height with Finger Guard	Depth with Finger Guard	Approx. Ship Weight Lbs.	Optional Primary Fuse Kit P/N	Optional Unfused and Fused Finger Guard Kit P/N
				A	B	C	D	E						
50	PH50MEMX	A	0.45/0.23	3.00	4.38	3.19	2.50	2.25	0.22 x 0.44	4.00	5.82	3.50	PFK4	FG1*/FGF1
75	PH75MEMX	A	0.68/0.34	3.25	4.06	3.63	2.63	2.63	0.22 x 0.44	4.44	5.50	4.10	PFK5	FG2*/FGF2
100	PH100MEMX	A	0.91/0.45	3.25	4.19	3.63	2.63	2.63	0.22 x 0.44	4.44	5.63	4.50	PFK5	FG2*/FGF2
150	PH150MEMX	B	1.36/0.68	4.00	4.94	3.81	3.38	2.75	0.22 x 0.75	4.50	6.44	5.70	PFK6	FG3
250	PH250MEMX	B	2.27/1.14	4.50	5.44	3.81	3.75	3.13	0.22 x 0.75	4.50	6.94	7.50	PFK6	FG3
350	PH350MEMX	B	3.18/1.59	4.50	5.19	4.44	3.75	3.75	0.22 x 0.75	4.94	6.69	10.1	PFK7	FG4
500	PH500MEMX	B	4.55/2.27	4.75	5.94	4.31	4.06	3.81	0.31 x 0.94	4.81	7.44	14.2	PFK7	FG4
750	PH750MEMX	B	6.82/3.41	5.25	6.50	4.94	4.50	4.13	0.31 x 0.81	5.56	8.00	21.0	PFK7	FG5
1000	PH1000MEMX	B	9.09/4.55	5.25	6.81	4.94	4.50	4.44	0.31 x 0.81	5.56	8.31	23.6	PFK7	FG5

Secondary fuse clips, fuse clip mounting screws and primary and secondary voltage links/jumpers supplied standard with transformers. All dimensions in inches
 *Note: Unfused finger guard kits are marked with an asterisk, for more information refer to page 45.
 Refer to page 73 for wiring schematic drawing. Custom voltages and VA sizes available upon request.

