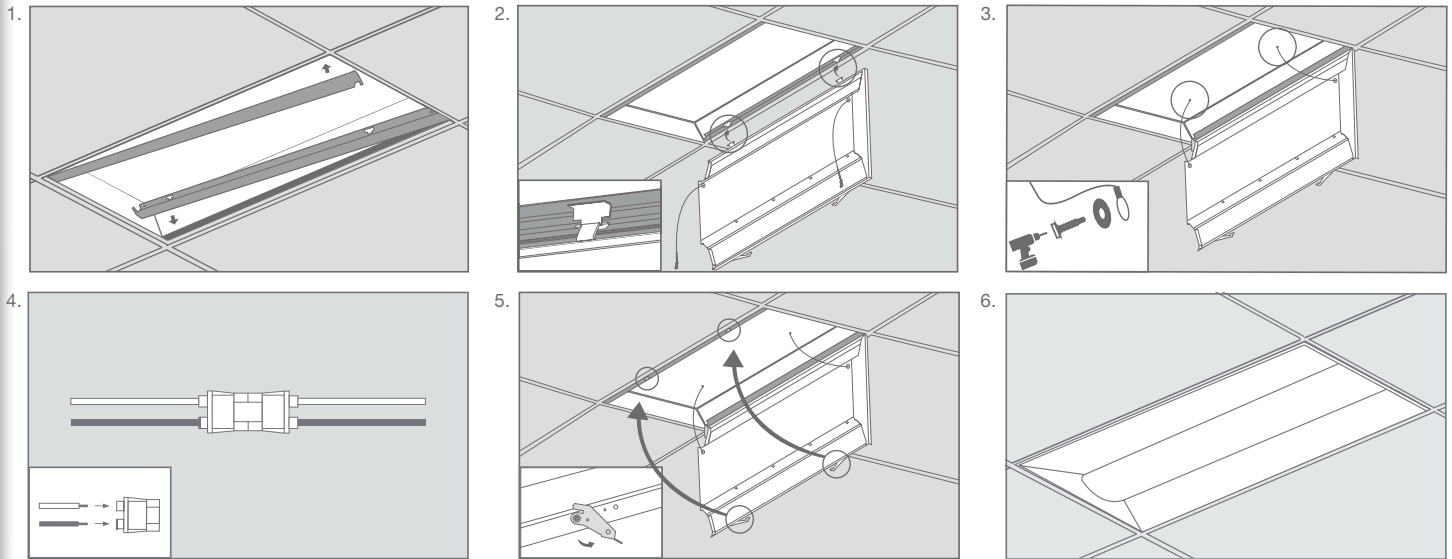


# RETROFIT KIT 30W 2X2' TITANIUM LED SERIES



## INSTALLATION GUIDE



- Step 1.** Make sure the **POWER IS TURNED OFF** at the source to the location at which you are installing the product.
- Step 2.** Remove existing lamps, door frame (if applicable), reflector and ballast cover.
- Step 3.** Gently lift the original luminaire housing and slide in both side mounting brackets between the housing and the T-grid. (fig. 1)
- Step 4.** Hang the retrofit kit body by hooking the T-hinges into the respective slots on one of the mounting brackets. (fig. 2)
- Step 5.** Connect the safety clips to the holes on the sides of one mounting bracket (fig. 3)
- Step 6.** Connect the retrofit kit power to the AC power. Connect the power supply to the retrofit kit. (fig. 4)
- Step 7.** Close the retrofit kit by pushing it up and securing both latches. (fig. 5)
- Step 8.** Return power back to the source and installation is complete. (fig. 6)

## SPECIFICATIONS

Product Model	97795 30TROFKIT22DIM/830/277V/R	97796 30TROFKIT22DIM/835/277V/R	97797 30TROFKIT22DIM/840/277V/R
<b>Type</b>	2x2' Troffer Retrofit Kit	2x2' Troffer Retrofit Kit	2x2' Troffer Retrofit Kit
<b>Power (W)</b>	30	30	30
<b>Voltage - Frequency</b>	120-277V 50-60Hz	120-277V 50-60Hz	120-277V 50-60Hz
<b>Color Temp. (ANSI)</b>	Warm White 3000K	Neutral White 3500K	Cool White 4000K
<b>CRI (Ra)</b>	80	80	80
<b>Typical lumens (lm)</b>	3330	3330	3330
<b>Efficacy (LPW)</b>	111	111	111
<b>Beam Angle</b>	120°	120°	120°
<b>Dimmable</b>	Yes	Yes	Yes
<b>Power Factor</b>	0.9	0.9	0.9
<b>THD</b>	<20%	<20%	<20%
<b>Rated Lifetime - L85 (hrs.)</b>	50,000	50,000	50,000
<b>L x W x H (w/ brackets)</b>	23.90"x23.90"x2.76" (607x607x70mm)	23.90"x23.90"x2.76" (607x607x70mm)	23.90"x23.90"x2.76" (607x607x70mm)
<b>L x W x H (w/o brackets)</b>	22.44"x20.59"x2.76" (570x523x70mm)	22.44"x20.59"x2.76" (570x523x70mm)	22.44"x20.59"x2.76" (570x523x70mm)
<b>Weight (lb. / g)</b>	6.92lb. / 3.14kg	6.92lb. / 3.14kg	6.92lb. / 3.14kg

\* Suitable for damp locations. Not for use where directly exposed to the weather or water