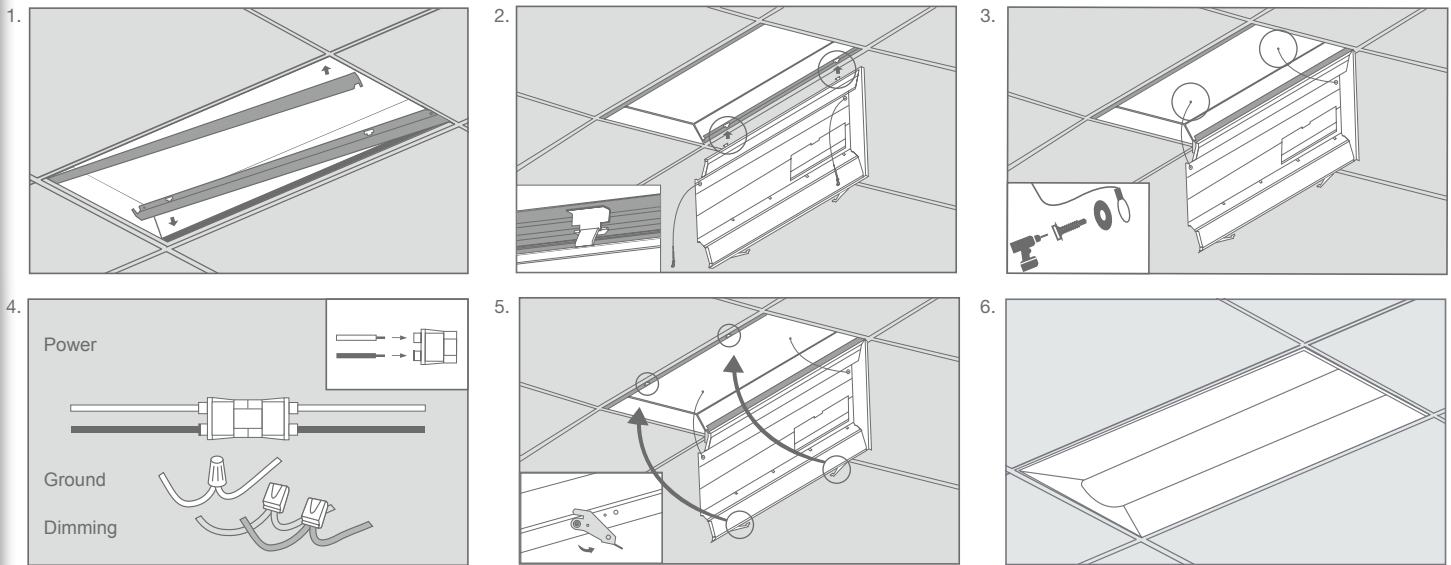


RETROFIT KIT 25W HE 2X2¹

INSTALLATION GUIDE



RETROFIT KIT INSTALLATION

- Step 1.** Make sure the **POWER IS TURNED OFF** at the source to the location at which you are installing the product.
- Step 2.** Remove existing lamps, door frame (if applicable), reflector and ballast cover.
- Step 3.** Gently lift the original luminaire housing and slide in both side mounting brackets between the housing and the T-grid. (fig. 1)
- Step 4.** Hang the retrofit kit body by hooking the T-hinges into the respective slots on one of the mounting brackets. (fig. 2)
- Step 5.** Attach the safety cables to the original luminaire housing using the self-tapping hex head screws and washers provided. (fig. 3)
- Step 6.** Connect the retrofit kit power to the AC power. Connect the power supply to the retrofit kit. (fig. 4)
- Step 7.** Close the retrofit kit by pushing it up and securing both latches. (fig. 5)
- Step 8.** Return power back to the source and installation is complete. (fig. 6)

SPECIFICATIONS

Product	28337	28338	28339
Model	25TROFKIT22DIM/830/277V	25TROFKIT22DIM/835/277V	25TROFKIT22DIM/840/277V
Type	2x2' Troffer Retrofit Kit	2x2' Troffer Retrofit Kit	2x2' Troffer Retrofit Kit
Power (W)	25	25	25
Voltage - Frequency	120-277V 50-60Hz	120-277V 50-60Hz	120-277V 50-60Hz
Color Temp. (ANSI)	Warm White 3000K	Neutral White 3500K	Cool White 4000K
CRI (Ra)	82	82	82
Typical lumens (lm)	3500	3500	3600
Efficacy (LPW)	140	140	144
Beam Angle	120°	120°	120°
Dimmable	Yes	Yes	Yes
Power Factor	0.9	0.9	0.9
THD	<20%	<20%	<20%
Rated Lifetime - L70 (hrs.)	100,000	100,000	100,000
Rated Lifetime - L90 (hrs.)	44,000	44,000	44,000
L x W x H (w/ brackets)	23.90"x23.94"x2.76"(607x608x70mm)	23.90"x23.94"x2.76"(607x608x70mm)	23.90"x23.94"x2.76"(607x608x70mm)
L x W x H (w/o brackets)	22.51"x20.59"x2.76"(572x523x70mm)	22.51"x20.59"x2.76"(572x523x70mm)	22.51"x20.59"x2.76"(572x523x70mm)
Weight (lb. / g)	10.58lb. / 4.8kg	10.58lb. / 4.8kg	10.58lb. / 4.8kg

* Suitable for damp locations. Not for use where directly exposed to the weather or water