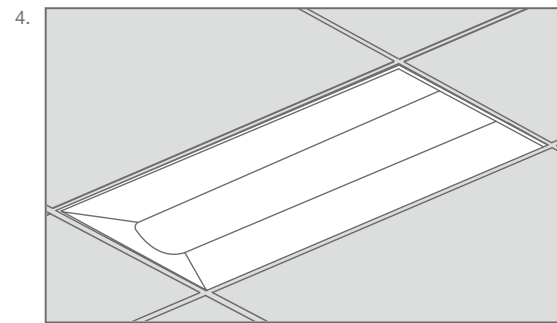
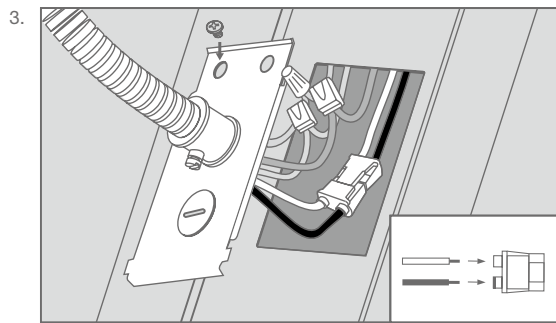
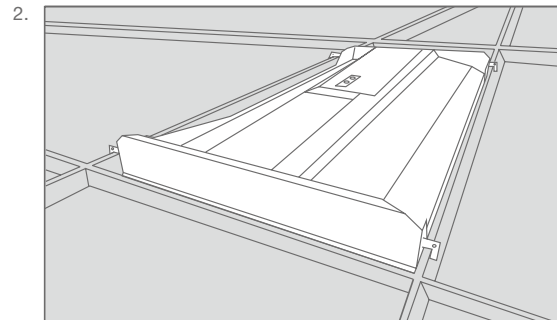
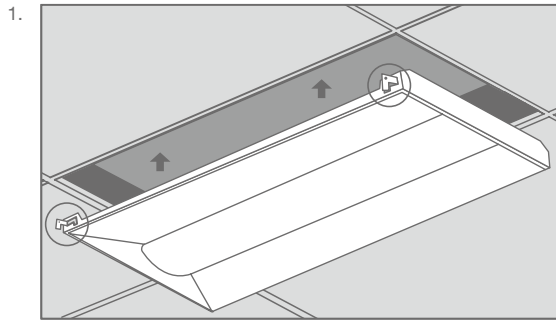


# TROFFER 30W HE 2X4' TITANIUM LED SERIES



## INSTALLATION GUIDE



### TROFFER INSTALLATION

- Step 1.** Make sure the **POWER IS TURNED OFF** at the source to the location at which you are installing the product.
- Step 2.** Remove existing troffer if applicable.
- Step 3.** Pull L tabs out on each corner. (fig. 1)
- Step 4.** Place troffer in ceiling making sure each L tab is securely hooked on T-bar grid. (fig. 1 & fig. 2)

- Step 5.** Remove power conduit plate. Insert power supply into power conduit plate using appropriate electrical fittings. (fig. 3)
- Step 6.** Return power back to the source and installation is complete. (fig. 4)

## SPECIFICATIONS

Product Model	28333 30TROF24DIM/830/277V	28334 30TROF24DIM/835/277V	28335 30TROF24DIM/840/277V
Type	2x4' Troffer	2x4' Troffer	2x4' Troffer
Power (W)	30	30	30
Voltage - Frequency	120-277V 50-60Hz	120-277V 50-60Hz	120-277V 50-60Hz
Color Temp. (ANSI)	Warm White 3000K	Neutral White 3500K	Cool White 4000K
CRI (Ra)	82	82	82
Typical lumens (lm)	4200	4200	4300
Efficacy (LPW)	140	140	143
Beam Angle	120°	120°	120°
Dimmable	Yes	Yes	Yes
Power Factor	0.9	0.9	0.9
THD	<20%	<20%	<20%
Rated Lifetime - L70 (hrs.)	100,000	100,000	100,000
Rated Lifetime - L90 (hrs.)	44,000	44,000	44,000
Dimensions (LxWxH)	47.76"x23.78"x2.76" (1213x604x70mm)	47.76"x23.78"x2.76" (1213x604x70mm)	47.76"x23.78"x2.76" (1213x604x70mm)
Weight (lb. / g)	16.93lb. / 7.68kg	16.93lb. / 7.68kg	16.93lb. / 7.68kg

\* Suitable for damp locations. Not for use where directly exposed to the weather or water