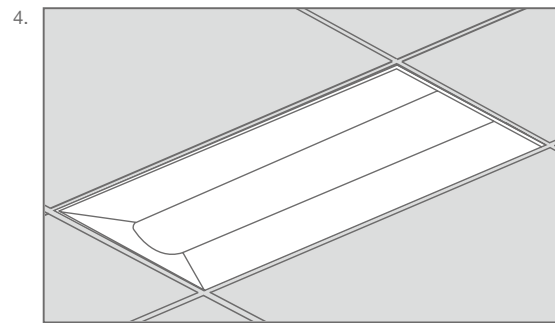
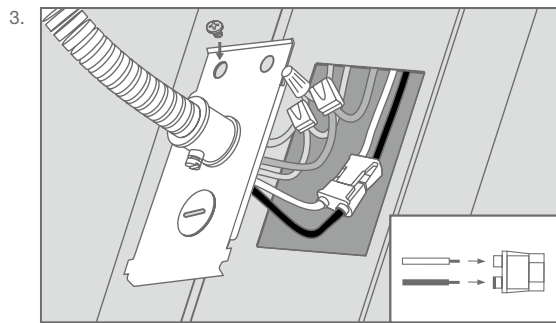
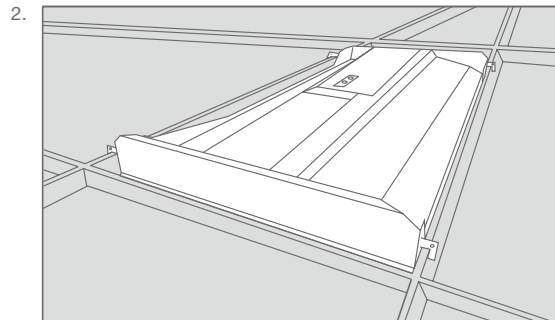
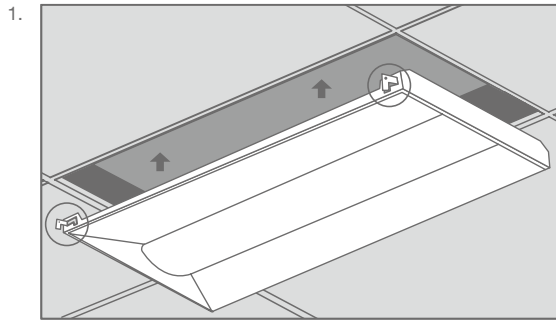


# TROFFER 25W HE 2X2' TITANIUM LED SERIES



## INSTALLATION GUIDE



### TROFFER INSTALLATION

- Step 1.** Make sure the **POWER IS TURNED OFF** at the source to the location at which you are installing the product.
- Step 2.** Remove existing troffer if applicable.
- Step 3.** Pull L tabs out on each corner. (fig. 1)
- Step 4.** Place troffer in ceiling making sure each L tab is securely hooked on T-bar grid. (fig. 1 & fig. 2)

- Step 5.** Remove power conduit plate. Insert power supply into power conduit plate using appropriate electrical fittings. (fig. 3)
- Step 6.** Return power back to the source and installation is complete. (fig. 4)

## SPECIFICATIONS

Product Model	28329 25TROF22DIM/830/277V	28330 25TROF22DIM/835/277V	28331 25TROF22DIM/840/277V
<b>Type</b>	2x2' Troffer	2x2' Troffer	2x2' Troffer
<b>Power (W)</b>	25	25	25
<b>Voltage - Frequency</b>	120-277V 50-60Hz	120-277V 50-60Hz	120-277V 50-60Hz
<b>Color Temp. (ANSI)</b>	Warm White 3000K	Neutral White 3500K	Cool White 4000K
<b>CRI (Ra)</b>	82	82	82
<b>Typical lumens (lm)</b>	3500	3500	3600
<b>Efficacy (LPW)</b>	140	140	144
<b>Beam Angle</b>	120°	120°	120°
<b>Dimmable</b>	Yes	Yes	Yes
<b>Power Factor</b>	0.9	0.9	0.9
<b>THD</b>	<20%	<20%	<20%
<b>Rated Lifetime - L70 (hrs.)</b>	100,000	100,000	100,000
<b>Rated Lifetime - L90 (hrs.)</b>	44,000	44,000	44,000
<b>Dimensions (LxWxH)</b>	23.78"x23.78"x2.76"(604x604x70mm)	23.78"x23.78"x2.76"(604x604x70mm)	23.78"x23.78"x2.76"(604x604x70mm)
<b>Weight (lb. / g)</b>	10.93lb. / 4.96kg	10.93lb. / 4.96kg	10.93lb. / 4.96kg

\* Suitable for damp locations. Not for use where directly exposed to the weather or water