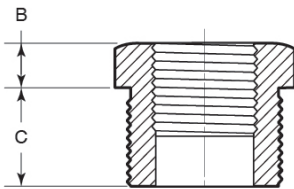
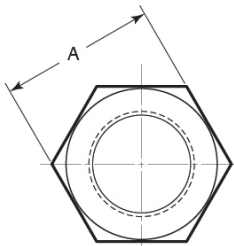
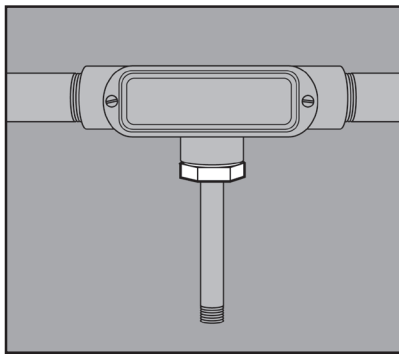


# STAINLESS STEEL HEX HEAD REDUCING BUSHINGS



## PRODUCT DETAILS

**Material:**  
316 SS

**Country of Origin:**  
Import

## APPLICATION

- Provide a means of connecting a smaller size of conduit to a larger conduit fitting port
- Threaded male to female
- Manufactured in stainless steel to help prevent corrosion
- Can be installed using ordinary hand tools and require little maintenance or repair
- Provided in a bright, polished finish that does not require touch up or painting

Part Number	Size	Weight/ 100 (lbs.)	-----Description-----		
			A	B	C
7500RB	1/2 x 1/4	8	0.87	0.20	0.55
7500RB	1/2 x 3/8	7	0.87	0.20	0.55
7500RB	3/4 x 1/4	16	1.06	0.24	0.63
7500RB	3/4 x 3/8	15	1.06	0.24	0.63
7500RB	3/4 x 1/2	12	1.06	0.24	0.63
7500RB	1 x 3/8	22	1.42	0.24	0.75
7500RB	1 x 1/2	20	1.42	0.24	0.75
7500RB	1 x 3/4	16	1.42	0.24	0.75
7500RB	1-1/4 x 1/2	41	1.81	0.28	0.83
7500RB	1-1/4 x 3/4	38	1.81	0.28	0.83
7500RB	1-1/4 x 1	31	1.81	0.28	0.83
7500RB	1-1/2 x 1/2	70	2.00	0.31	0.83
7500RB	1-1/2 x 3/4	67	2.00	0.31	0.83
7500RB	1-1/2 x 1	61	2.00	0.31	0.83
7500RB	1-1/2 x 1-1/4	47	2.00	0.31	0.83
7500RB	2 x 1/2	92	2.56	0.35	0.87
7500RB	2 x 3/4	84	2.56	0.35	0.87
7500RB	2 x 1	79	2.56	0.35	0.87
7500RB	2 x 1-1/4	79	2.56	0.35	0.87
7500RB	2 x 1-1/2	69	2.56	0.35	0.87
7500RB	2-1/2 x 1/2	170	2.95	0.39	1.06
7500RB	2-1/2 x 3/4	163	2.95	0.39	1.06
7500RB	2-1/2 x 1	172	2.95	0.39	1.06
7500RB	2-1/2 x 1-1/4	155	2.95	0.39	1.06
7500RB	2-1/2 x 1-1/2	145	2.95	0.39	1.06
7500RB	2-1/2 x 2	117	2.95	0.39	1.06
7500RB	3 x 1	279	3.54	0.39	1.10
7500RB	3 x 1-1/4	264	3.54	0.39	1.10
7500RB	3 x 1-1/2	247	3.54	0.39	1.10
7500RB	3 x 2	219	3.54	0.39	1.10
7500RB	3 x 2-1/2	183	3.54	0.39	1.10
7500RB	4 x 1-1/4	415	4.53	0.51	1.26
7500RB	4 x 1-1/2	423	4.53	0.51	1.26
7500RB	4 x 2	441	4.53	0.51	1.26
7500RB	4 x 2-1/2	428	4.53	0.51	1.26
7500RB	4 x 3	353	4.53	0.51	1.26

