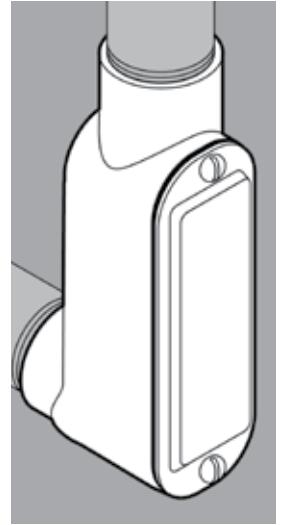
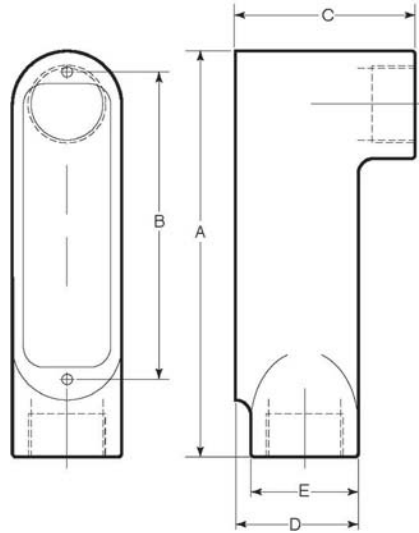


LB Conduit Body

Part Number	Conduit Size	Weight/ Each (lbs.)	Dimension (in.)				
			A	B	C	D	E
7050LB	½ in.	1	4.85	3.50	2.10	1.38	1.188
7075LB	¾ in.	2	5.72	4.31	2.5	1.63	1.50
7100LB	1 in.	3	6.4v8	5.00	2.825	2.00	1.75
7125LB	1-¼ in.	5	7.75	6.00	3.50	2.50	2.13
7150LB	1-½ in.	5	8.38	6.562	3.75	2.75	2.31
7200LB	2 in.	9	10.50	8.50	4.375	3.375	2.75
7300LB	3 in.	18	13.50	11.25	6.125	4.625	4.00
7400LB	4 in.	28	16.625	13.75	7.25	5.625	5.125



T Conduit Body

Part Number	Conduit Size	Weight/ Each (lbs.)	Dimension (in.)				
			A	B	C	D	E
7050T	½ in.	2	5.556	3.5	1.997	1.75	1.188
7075T	¾ in.	3	6.61	4.312	2.50	2.00	1.50
7100T	1 in.	4	7.525	5.00	2.70	2.31	1.75
7125T	1-¼ in.	5	8.75	6.00	3.25	2.50	2.13
7150T	1-½ in.	6	9.37	6.562	3.53	2.75	2.31
7200T	2 in.	9	11.50	8.50	4.125	3.375	2.75
7300T	3 in.	19	15.00	11.25	5.75	4.625	4.00
7400T	4 in.	29	18.25	13.75	7.125	5.437	5.125

