

# STAINLESS STEEL HUBS



Hub



Grounding Hub

**HUB:** Heavy-duty, cast CF8M/316 SS conduit hubs are designed for use with threaded conduit and provide a means of connecting conduit to various enclosures and/or for terminating electric circuits. A neoprene "O" ring provides a weather proof seal and a specially designed locknut grips firmly for secure installation.

**GROUNDING HUB:** Stainless steel grounding hubs, like the standard conduit hubs, are designed for use with threaded conduit and provide a means of connecting conduit to various enclosures and/or for terminating electric circuits. A grounding lug and screw provide a secure connection for ground wiring.

## PRODUCT DETAILS

### **Hub**

#### **Material:**

-Body: CF8M (316 SS)

-Locknut: 316 SS ( $\frac{1}{2}$ " – 1"); CF8M ( $1\frac{1}{4}$ " – 4")

#### **Standards:**

ASTM A240 (locknut sizes  $\frac{1}{2}$ " – 1");

ASTM A351 (body, locknut sizes  $1\frac{1}{4}$ " – 4")

### **Grounding Hub**

#### **Material:**

-Body, Locknut: CF8M (316 SS)

-Grounding Screw: 316 SS

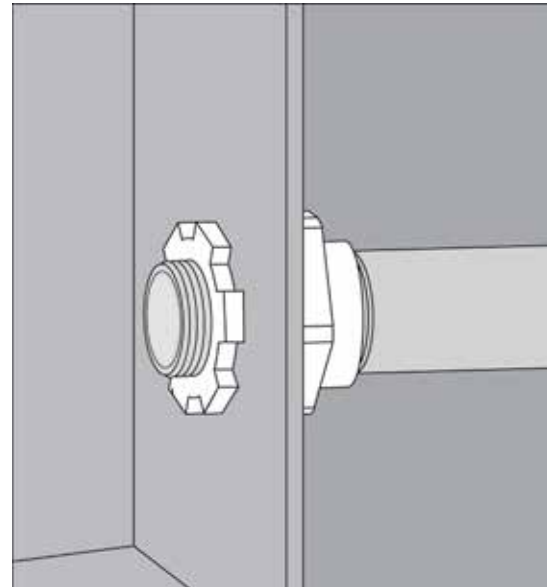
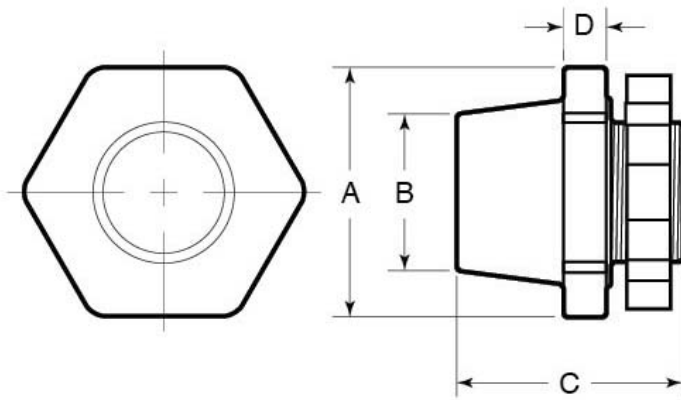
#### **Standards:**

ASTM A351, ASTM F593



# Hub

Part Number	Conduit Size	Weight/ 100 (lbs.)	Dimension (in.)			
			A	B	C	D
7050-HUB	½ in.	20	1.313	1.065	1.315	0.25
7075-HUB	¾ in.	31	1.625	1.27	1.5	0.32
7100-HUB	1 in.	45	1.863	1.6	1.687	0.313
7125-HUB	1-¼ in.	71	2.25	2.00	1.813	0.375
7150-HUB	1-½ in.	85	2.563	2.375	1.813	0.3753
7200-HUB	2 in.	112	3.063	2.78	1.85	0.375
7250-HUB	2-½ in.	190	3.6	3.2	2.4	0.42
7300-HUB	3 in.	331	4.5	4.125	2.75	0.5
7400-HUB	4 in.	453	5.375	5.2	3.00	0.56



# Grounding Hub

Part Number	Conduit Size	Weight/ 100 (lbs.)	Dimension (in.)			
			A	B	C	D
7050-G-HUB	½ in.	22	1.313	1.065	1.315	0.25
7075-G-HUB	¾ in.	34	1.625	1.27	1.5	0.32
7100-G-HUB	1 in.	49	1.863	1.6	1.687	0.313
7125-G-HUB	1-¼ in.	73	2.25	2.00	1.813	0.375
7150-G-HUB	1-½ in.	87	2.563	2.375	1.813	0.3753
7200-G-HUB	2 in.	114	3.063	2.78	1.85	0.375
7250-G-HUB	2-½ in.	192	3.6	3.2	2.4	0.42
7300-G-HUB	3 in.	334	4.5	4.125	2.75	0.5
7400-G-HUB	4 in.	459	5.375	5.2	3.00	0.56

