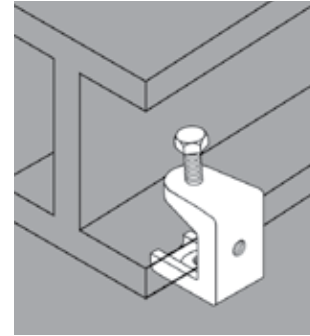
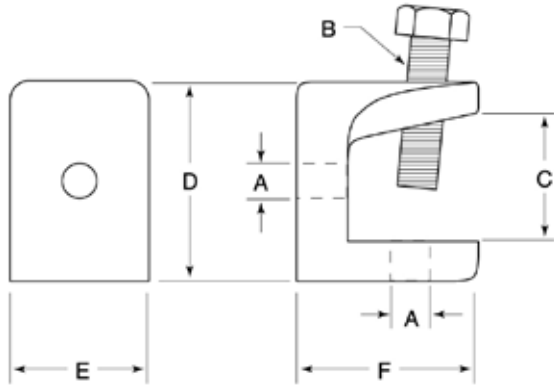


## 2000 Series Beam Clamp

Part Number	Size	Load Rating* (lbs.)	Weight/ 100 (lbs.)	Dimension (in.)					
				A	B	C	D	E	F
2001	¼ in.	150	25	¼-20	5/16-18	.908	1.438	.81	1.313
2003	⅜ in.	750	87	⅜-16	½-13	1.156	1.9	1.875	2.00
2004	½ in.	1,100	148	½-13	⅝-11	1.125	2.188	2.125	2.25

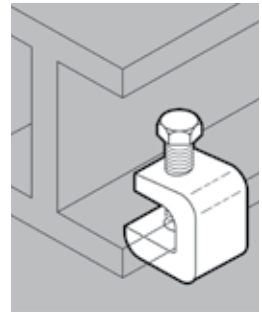
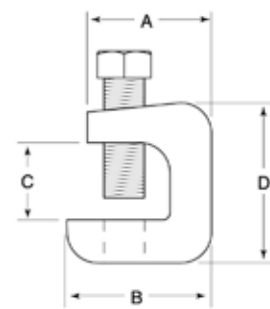
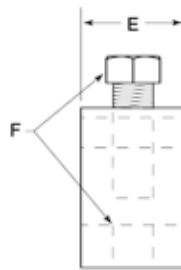
\* Based on upright installation, as shown from bottom attachment hole.



## 2100 Series Beam Clamp

Part Number	Size	Load Rating* (lbs.)	Weight/ 100 (lbs.)	Dimension (in.)					
				A	B	C	D	E	F
2103	⅜ in.	400	51	1.505	1.755	.89	1.9	1.00	⅝-16
2104	½ in.	600	55	1.505	1.755	.89	1.9	1.00	½-13

\* Based on upright installation, as shown from bottom attachment hole.



## Junior Top Beam Clamp

Part Number	Size	Load Rating (lbs.)	Weight/ 100 (lbs.)	Dimension (in.)									
				A	B	C	D	E	F	G	H	I	J
JTB375	⅜ in.	750	33	1.625	1.500	0.812	0.375	0.592	0.125	0.750	⅜-16	⅜-16	.625
JTB500	½ in.	750	32	1.625	1.500	0.812	0.375	0.592	0.125	0.750	⅜-16	½-13	.625

