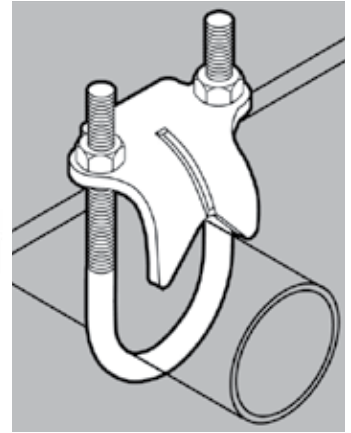
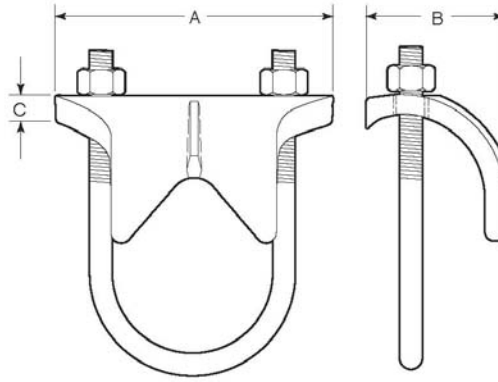


Right Angle Clamp

| Part Number | Pipe/Rigid Conduit Size | Weight/ 100 (lbs.) | -----Dimension (in.)----- | | |
|-------------|-------------------------|--------------------|---------------------------|-------|--------|
| | | | A | B | C |
| 1050 | ½ in. | 34 | 1.9375 | 1.625 | 0.1875 |
| 1075 | ¾ in. | 35 | 2.0625 | 1.625 | 0.1875 |
| 1100 | 1 in. | 43 | 2.5625 | 1.625 | 0.1875 |
| 1125 | 1-¼ in. | 51 | 2.8125 | 1.625 | 0.1875 |
| 1150 | 1-½ in. | 61 | 3.3125 | 1.625 | 0.1875 |
| 1200 | 2 in. | 96 | 3.8125 | 1.625 | 0.1875 |
| 1250 | 2-½ in. | 125 | 4.5625 | 1.75 | 0.25 |
| 1300 | 3 in. | 146 | 5.1875 | 1.75 | 0.25 |
| 1350 | 3-½ in. | 166 | 5.6875 | 1.75 | 0.25 |
| 1400 | 4 in. | 177 | 6.1875 | 1.75 | 0.25 |
| 1600 | 6 in. | 351 | 8.50 | 2.25 | 0.45 |



Parallel Clamp

| Part Number | Pipe/Rigid Conduit Size | Weight/ 100 (lbs.) | ----Dimension (in.)---- | |
|-------------|-------------------------|--------------------|-------------------------|-------|
| | | | A | B |
| 4075 | ¾ in. | 58 | 2.875 | 2.525 |
| 4100 | 1 in. | 60 | 3.10 | 2.525 |

