

GP7500E

GP SERIES
Commercial/Residential
Portable Generators

A/C Rated Output Watts: 7500
A/C Maximum Output Watts: 9375

Model 5978-0

UPC Number: 696471059786
Emissions Certification: 49/CSA



features

- LONG LIFE OHV ENGINE
- LOW OIL SHUTDOWN PROTECTION
- COVERED, CIRCUIT BREAKER PROTECTED OUTLETS
- STEEL FUEL TANK WITH BUILT-IN FUEL GAUGE
- LOCKING, FOLD-DOWN HANDLE
- NEVER-FLAT WHEEL KIT
- 1.25" HARDENED STEEL TUBE FRAME
- ELECTRIC START - BATTERY INCLUDED
- HOUR METER TO TRACK MAINTENANCE
- LOW TONE MUFFLER

customer connections

Connection Outlets

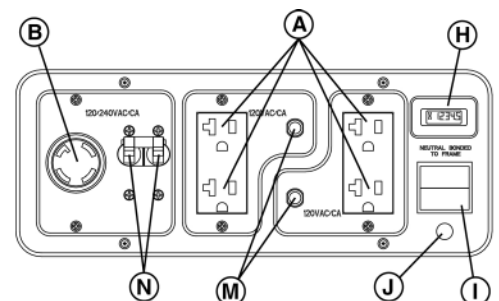
A	(4) 5-20R 120V
B	L14-30R Twist-Lock 120/240V

Circuit Breakers

M	(2) 20A
N	(2) 30A

Other Features

H	Hour Meter
I	Off/On/Start Switch
J	12VDC Battery Charger Input



GP7500E

specifications

Product Series	GP7500E
Model	5978-0
Configuration/Emissions	49/CSA
A/C Rated Output Watts:	7500
A/C Maximum Output Watts:	9375
A/C Voltage	120/240VAC
A/C Frequency	60 Hz
Rated 120/240 VAC Amperage	31.2
Max 120/240 VAC Amperage	39.0
Engine Displacement	420cc
Engine Type	OHV
Engine RPM	3600
Recommended Oil	SAE30
Lubrication Method	Splash Sump
Choke Type	Manual Lever
Fuel Shut Off	Manual Lever
Idle Control	No
Starting Method	Electric/Manual
Battery	Included
Battery Size	12VDC 10 Ahr
Low Oil Shutdown Method	Low Level

Start Switch Type	3-Position
Switch Location	On Control Panel
Single-Point Lifting Eye	N/A
Fuel Gauge	Built-in Tank
Fuel Tank Capacity (Gal)	8.00
Fuel Tank Capacity (Ltrs)	30.28
Run Time at 50% (Hours)	12.00
Cord Set	N/A
Handle Style	Folding
Wheel type	9.5" Solid Wheels
Maintenance Kit	Sold Separately
Warranty - Residential	2 Year
Warranty - Commercial	1 Year

dimensions and weights

Length (L)	28.8
Width (W)	26.8
Height (H)	26.0
Extended Length (EL)	45.0
Carton Length	31.0
Carton Width	21.7
Carton Height	24.0
Unit Weight (lbs)	201.0
Shipping Weight (lbs)	215.0

