

# GP7500E

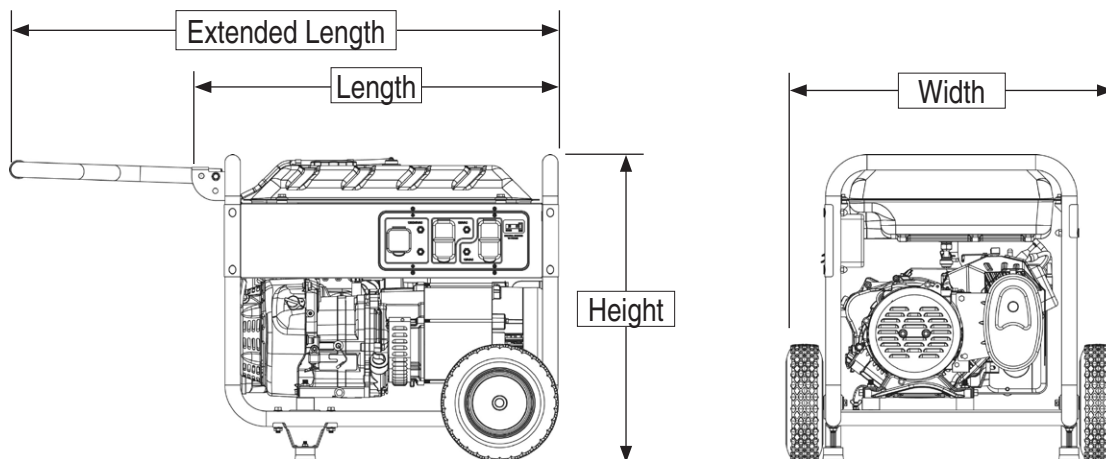
## specifications

Product Series	GP7500E
Model (Configuration)	5943-4, 5943-5 (EPA) 5978-2 (EPA/CSA)
AC Rated Output Running Watts:	7500
AC Maximum Output Motor Starting Watts:	9375
AC Voltage	120/240 VAC
AC Frequency	60 Hz
Rated VAC Amperage	62.5/31.3
Max Rated VAC Amperage	78/39.1
Engine Displacement	420cc
Engine Type	OHV
Engine RPM	3600
Recommended Oil	10W-30 / SAE30
Lubrication Method	Splash
Automatic Voltage Regulation (AVR)	Yes
Choke Location	On Engine
Fuel Shut Off	On Fuel Tank
Starting Method	Electric/Recoil Pull Start
Low Oil Shutdown Method	Low Level
Battery Type	12VDC, 10AH
Battery Charger Input Jack	Included
Neutral Bonded to Ground	Yes

Start Switch Type	Start/Run/Off Switch
Switch Location	On Control Panel
Fuel Gauge	Built-In Tank
Fuel Tank Capacity Gal (Ltr)	7.5 (28.4)
Run Time at 50% (Hours)	12
Handle Style	Single Folding / Locking
Wheel Type	9.5" Solid Wheels
Maintenance Kit	Sold Separately
Warranty - Residential	2 Year Ltd
Warranty - Commercial	1 Year Ltd

## Dimensions and Weights

	Model 5978-2	Models 5943-4 / 5943-5
Length in (mm)	27.25 (692)	
Width in (mm)	27 (687)	
Height in (mm)	26 (658)	25 (638)
Extended Length in (mm)	44.5 (1129)	
Carton Length in (mm)	31 (790)	31.5 (802) / 31 (790)
Carton Width in (mm)	21.5 (550)	22 (559) / 21.75 (555)
Carton Height in (mm)	24 (610)	24 (614) / 24 (610)
Unit Weight lbs (kg)	191.5 (86.9)	
Shipping Weight lbs (kg)	215 (97.6)	



**GENERAC**<sup>®</sup>

Generac Power Systems, Inc. • P.O. Box 8, Waukesha, WI 53187 • generac.com

©2013 Generac Power Systems, Inc. All rights reserved. All specifications are subject to change without notice. Bulletin 0197820-A / Printed in U.S.A. 09/19/13