

Modular Metering Mini Mod III

Basic Devices
Ring-Type and Ringless



TMM4412R

Product Features

- UL Listed (Panelboards No. 67)
- Indoor/Outdoor Construction
- Ring-Type and Ringless Meter Sockets
- Bondable Neutral, Strap Included
- 11-inch Mounting Z Rail Included
- Swing Away Mounting Feet Factory Installed
- Underground, incoming feed only

Ring Type Socket¹

Socket Amps	No. of Sockets	Main Ampere Rating	Main Wire Size AWG/kcmil Cu/A	Service Ground	Equipment Ground	Product Number
125 A	2	200	(1) 6 - 300	6-2/0	14-4	TMM2212R ²
125 A	3	400	(1) 6 - 600 or (2) 2/0 - 250	4-300	14-4	TMM4312R
125 A	4	400	(1) 6 - 600 or (2) 2/0 - 250	4-300	14-4	TMM4412R
125 A	5	600	(2) 250 - 500	4-300	14-4	TMM6512R
125 A	6	600	(2) 250 - 500	4-300	14-4	TMM6612R
200 A	2	400	(2) 250 - 500	4-300	14-4	TMM4220R
200 A	3	600	(2) 250 - 500	4-300	14-4	TMM6320R
200 A	4	600	(2) 250 - 500	4-300	14-4	TMM6420R
200 A	5	600	(2) 250 - 500	4-300	14-4	TMM6520R
200 A	6	600	(2) 250 - 500	4-300	14-4	TMM6620R

¹One snap-type, aluminum sealing ring(TSR5) per socket included

²May be fed from overhead. Use hub TC300.

Ringless Type Socket³

Socket Amps	No. of Sockets	Main Ampere Rating	Main Wire Size AWG/kcmil Cu/Al	Service Ground	Equipment Ground	Product Number
125 A	2	200	(1) 6 - 300	6-2/0	14-4	TMMR2212R ⁴
125 A	3	400	(1) 6 - 600 or (2) 2/0 - 250	4-300	14-4	TMMR4312R
125 A	4	400	(1) 6 - 600 or (2) 2/0 - 250	4-300	14-4	TMMR4412R
125 A	5	600	(2) 250 - 500	4-300	14-4	TMMR6512R
125 A	6	600	(2) 250 - 500	4-300	14-4	TMMR6612R
200 A	2	400	(2) 250 - 500	4-300	14-4	TMMR4220R
200 A	3	600	(2) 250 - 500	4-300	14-4	TMMR6320R
200 A	4	600	(2) 250 - 500	4-300	14-4	TMMR6420R
200 A	5	600	(2) 250 - 500	4-300	14-4	TMMR6520R
200 A	6	600	(2) 250 - 500	4-300	14-4	TMMR6620R

³Includes factory installed fifth jaw. Available with factory installed horn-type by-pass. Add HB suffix to Product Number.

⁴May be fed from overhead. Use hub TC300.

Short Circuit Ratings — UL Listed

All Mini Mod IIIs are UL listed for the short circuit rating at 240 Vac maximum in rms symmetrical amperes of the tenant breaker installed, selected from table below.

The short circuit rating is limited to the lowest interrupting rating of any tenant breaker installed.

Replacement breakers shall be of the same manufacturer and type and shall have an interrupting rating equal to or greater than the interrupting rating of any tenant breaker presently installed in this device.

Tenant Main Breaker Frame	UL Listed AIC Rating
TMQD	100,000
TMQL	42,000
THQD	22,000
THHQL	22,000
TQD	10,000
THQL	10,000

GE breakers rated 10,000 AIC or greater when installed on the load side of the Mini Mod III are protected for the interrupting rating per the UL Listing marked on the tenant breaker.



Modular Metering Mini Mod III

Tenant Main Circuit Breakers

Section 2

Mini Mod III Factory Installed Lug Kit

Main Mini Mod	Amp. Rating	Phase		Neutral		GE Lug Kit Product Number	Lugs Per Kit
		Description	Wire Size	Description	Wire Size		
TMM2212R	125		#6-300		#6-300 (80-6307)		
TMMR2212R	125		#6-300		#6-300 (80-6307)		
TMM4312R	125	(1) 2/0-600 or (2) #6-250		(1) 2/0-600 or (2) #6-250		TMMLK1	1 lug/kit, 1 lug per phase, 2 hole lug
TMMR4312R	125	(1) 2/0-600 or (2) #6-250		(1) 2/0-600 or (2) #6-250		TMMLK1	1 lug/kit, 1 lug per phase, 2 hole lug
TMM4412R	125	(1) 2/0-600 or (2) #6-250		(1) 2/0-600 or (2) #6-250		TMMLK1	1 lug/kit, 1 lug per phase, 2 hole lug
TMMR4412R	125	(1) 2/0-600 or (2) #6-250		(1) 2/0-600 or (2) #6-250		TMMLK1	1 lug/kit, 1 lug per phase, 2 hole lug
TMM6512R	125	(2) 250-500 per lug		(2) 250-500 per lug		TMPAL30	1 lug per kit, 1 lug per phase
TMMR6512R	125	(2) 250-500 per lug		(2) 250-500 per lug		TMPAL30	1 lug per kit, 1 lug per phase
TMM6612R	125	(2) 250-500 per lug		(2) 250-500 per lug		TMPAL30	1 lug per kit, 1 lug per phase
TMMR6612R	125	(2) 250-500 per lug		(2) 250-500 per lug		TMPAL30	1 lug per kit, 1 lug per phase
TMM4220R	200	(2) 250-500 per lug		(2) 250-500 per lug		TMPAL30	1 lug per kit, 1 lug per phase
TMMR4220R	200	(2) 250-500 per lug		(2) 250-500 per lug		TMPAL30	1 lug per kit, 1 lug per phase
TMM6320R	200	(2) 250-500 per lug		(2) 250-500 per lug		TMPAL30	1 lug per kit, 1 lug per phase
TMMR6320R	200	(2) 250-500 per lug		(2) 250-500 per lug		TMPAL30	1 lug per kit, 1 lug per phase
TMM6420R	200	(2) 250-500 per lug		(2) 250-500 per lug		TMPAL30	1 lug per kit, 1 lug per phase
TMMR6420R	200	(2) 250-500 per lug		(2) 250-500 per lug		TMPAL30	1 lug per kit, 1 lug per phase
TMM6520R	200	(2) 250-500 per lug		(2) 250-500 per lug		TMPAL30	1 lug per kit, 1 lug per phase
TMMR6520R	200	(2) 250-500 per lug		(2) 250-500 per lug		TMPAL30	1 lug per kit, 1 lug per phase
TMM6620R	200	(2) 250-500 per lug		(2) 250-500 per lug		TMPAL30	1 lug per kit, 1 lug per phase
TMMR6620R	200	(2) 250-500 per lug		(2) 250-500 per lug		TMPAL30	1 lug per kit, 1 lug per phase

Mini Mod III Factory Optional Lug Kit and Optional Compression Lug Kit

Main Mini Mod	Amp. Rating	Phase				Lugs Per Kit
		Wire Size	GE Lug Kit Product Number	Wire Size	GE Lug Kit Product Number	
TMM4312R	125	(3) #4-300 (2) 250-500 per lug	TMPAL40 TMPAL30	Compression	TMM6CLL	2 studs per phase, double stack for up to 2 conductors per phase, kit includes 3 lug landing pads (1 kit per device)
TMMR4312R	125	(3) #4-300 (2) 250-500 per lug	TMPAL40 TMPAL30	Compression	TMM6CLL	
TMM4412R	125	(3) #4-300 (2) 250-500 per lug	TMPAL40 TMPAL30	Compression	TMM6CLL	
TMMR4412R	125	(3) #4-300 (2) 250-500 per lug	TMPAL40 TMPAL30	Compression	TMM6CLL	
TMM6512R	125	(3) #4-300 (1) 2/0-600 or (2) #6-250	TMPAL40 TMMLK1	Compression	TMM6CLL	
TMMR6512R	125	(3) #4-300 (1) 2/0-600 or (2) #6-250	TMPAL40 TMMLK1	Compression	TMM6CLL	
TMM6612R	125	(3) #4-300 (1) 2/0-600 or (2) #6-250	TMPAL40 TMMLK1	Compression	TMM6CLL	
TMMR6612R	125	(3) #4-300 (1) 2/0-600 or (2) #6-250	TMPAL40 TMMLK1	Compression	TMM6CLL	
TMM4220R	200	(3) #4-300 (1) 2/0-600 or (2) #6-250	TMPAL40 TMMLK1	Compression	TMM6CLL	
TMMR4220R	200	(3) #4-300 (1) 2/0-600 or (2) #6-250	TMPAL40 TMMLK1	Compression	TMM6CLL	
TMM6320R	200	(3) #4-300 (1) 2/0-600 or (2) #6-250	TMPAL40 TMMLK1	Compression	TMM6CLL	
TMMR6320R	200	(3) #4-300 (1) 2/0-600 or (2) #6-250	TMPAL40 TMMLK1	Compression	TMM6CLL	
TMM6420R	200	(3) #4-300 (1) 2/0-600 or (2) #6-250	TMPAL40 TMMLK1	Compression	TMM6CLL	
TMMR6420R	200	(3) #4-300 (1) 2/0-600 or (2) #6-250	TMPAL40 TMMLK1	Compression	TMM6CLL	
TMM6520R	200	(3) #4-300 (1) 2/0-600 or (2) #6-250	TMPAL40 TMMLK1	Compression	TMM6CLL	
TMMR6520R	200	(3) #4-300 (1) 2/0-600 or (2) #6-250	TMPAL40 TMMLK1	Compression	TMM6CLL	
TMM6620R	200	(3) #4-300 (1) 2/0-600 or (2) #6-250	TMPAL40 TMMLK1	Compression	TMM6CLL	
TMMR6620R	200	(3) #4-300 (1) 2/0-600 or (2) #6-250	TMPAL40 TMMLK1	Compression	TMM6CLL	



Dimensions

Product Number	Figure No. ¹	Width (in inches)	Height (in inches)	Depth (in inches)	Section A (in inches)	Section B (in inches)
TMM2212R	1	11.625	34.325	5.5	18	9
TMMR2212R	1	11.625	34.325	5.5	18	9
TMM4312R	3	24.25	48.25	7	12.5	9
TMMR4312R	3	24.25	48.25	7	12.5	9
TMM4412R	3	24.25	48.25	7	12.5	9
TMMR4412R	3	24.25	48.25	7	12.5	9
TMM6512R	2	36.25	41.5	7	12.5	9
TMMR6512R	2	36.25	41.5	7	12.5	9
TMM6612R	2	36.25	41.5	7	12.5	9
TMMR6612R	2	36.25	41.5	7	12.5	9
TMM4220R	5	25.5	38	6.625	14.75	12.625
TMMR4220R	5	25.5	38	6.625	14.75	12.625
TMM6320R	5	25.5	61	6.625	14.75	12.625
TMMR6320R	5	25.5	61	6.625	14.75	12.625
TMM6420R	5	25.5	61	6.625	14.75	12.625
TMMR6420R	5	25.5	61	6.625	14.75	12.625
TMM6520R	4	38.825	48.75	6.625	14.75	12.625
TMMR6520R	4	38.825	48.75	6.625	14.75	12.625
TMM6620R	4	38.825	48.75	6.625	14.75	12.625
TMMR6620R	4	38.825	48.75	6.625	14.75	12.625

Knockouts

Symbol	•	A	B	C	D	E	F	G	H	I	J	K	L
Conduit Size in Inches	½	½	-	-	-	-	-	-	-	-	-	-	-
	-	¾	-	-	-	-	-	-	-	-	-	-	-
	-	1	1	1	-	1	-	-	-	-	-	-	-
	-	-	1½	1½	1½	1½	-	-	-	-	-	-	-
	-	-	-	2	2	2	2	2	2	-	-	-	-
	-	-	-	-	-	2½	2½	2½	2½	2½	-	-	-
	-	-	-	-	-	-	-	3	3	3	3	-	-
	-	-	-	-	-	-	-	-	3½	3½	3½	-	-
	-	-	-	-	-	-	-	-	-	4	4	4	-
	-	-	-	-	-	-	-	-	-	-	-	-	5

¹Figures 2, 3, 4 and 5 have removable drip hood and open end wall.

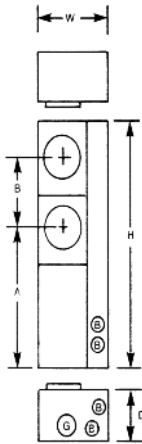


Figure 1

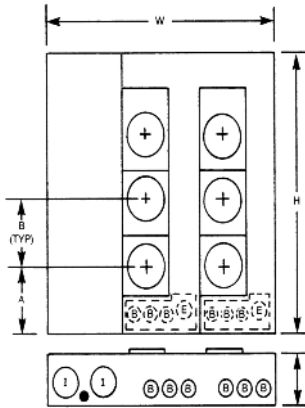


Figure 2

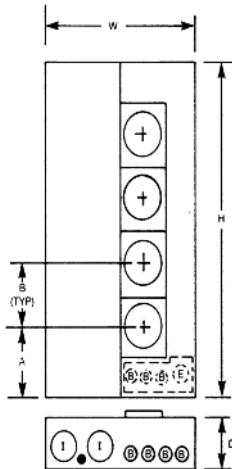


Figure 3

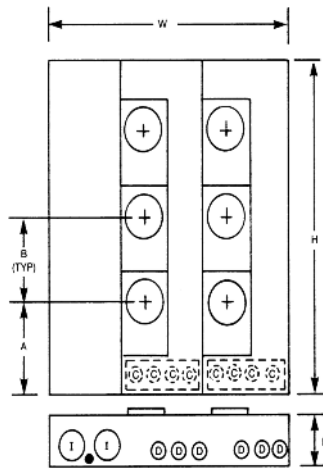


Figure 4

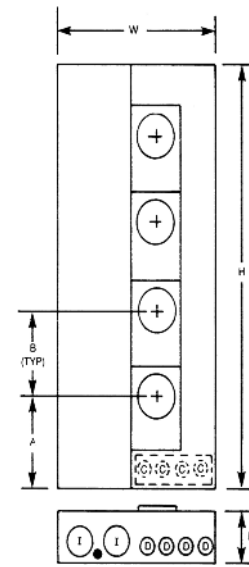


Figure 5

