

Pilot and Signaling Devices Heavy-Duty 22.5 mm Watertight/Oiltight Accessories C-2000

Enclosures

600 VAC Max., 300 VDC Max.

10 Amps Continuous AC, 2.5 Amps Continuous DC

Die-Cast Aluminum NEMA Type 1, 3, 3R, 4, 4X, 12 and 13

Enclosure Holes	Useful Depth (inches/mm)	Product Number ¹	List Price GO-10GC
1	2.83 (72)	080SP1	\$30.00
1	3.82 (97)	080SP1M	\$35.00
2	2.83 (72)	080SP2	\$35.00
2	3.82 (97)	080SP2M	\$42.00
3	3.82 (97)	080SP3	\$42.00
4	2.83 (72)	080SP4	\$43.00
4	3.82 (97)	080SP4M	\$51.00
6	3.82 (97)	080SP6	\$53.00
8	3.82 (97)	080SP8	\$63.00
12	3.82 (97)	080SP12	\$83.00
18	3.82 (97)	080SP18	\$113.00
24	3.82 (97)	080SP24	\$143.00
35	4.37 (111)	080SP35	\$198.00

¹Multi-function push buttons (P9DPL...) are not suitable for these enclosures.



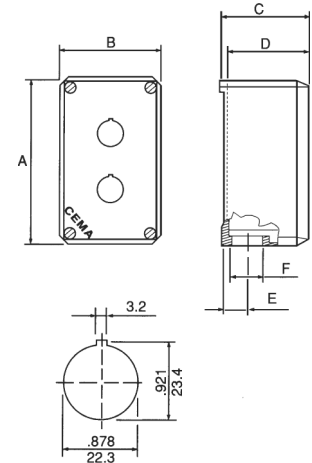
Die-Cast Aluminum Enclosures

Hole Location and Centerline Distances

Product Number	Vertical Hole Location	Vertical Centerline Distance in (mm)	Horizontal Hole Location	Horizontal Centerline Distance in (mm)
080SP2	2	1.97 (50)	—	—
080SP2M	2	1.97 (50)	—	—
080SP3	3	1.97 (50)	—	—
080SP4	2	1.97 (50)	2	1.18 (30)
080SP4M	2	1.97 (50)	2	1.18 (30)
080SP6	3	1.97 (50)	2	1.18 (30)
080SP8	2	1.97 (50)	4	1.18 (30)
080SP12	3	1.97 (50)	4	1.18 (30)
080SP18	3	1.97 (50)	6	1.18 (30)
080SP24	4	1.97 (50)	6	1.18 (30)
080SP35	5	1.97 (50)	7	1.18 (30)

Dimensions in (mm)

Product Number	Dimension A in (mm)	Dimension B in (mm)	Dimension C in (mm)	Dimension D in (mm)	Dimension E in (mm)	Dimension F metric type hole
080SP1	3.43 (87)	3.43 (87)	2.95 (75)	2.83 (72)	.846 (21.5)	PG21
080SP1M	3.43 (87)	3.43 (87)	3.94 (100)	3.82 (97)	.846 (21.5)	PG21
080SP2	5.71 (145)	3.43 (87)	2.95 (75)	2.83 (72)	.846 (21.5)	PG21
080SP2M	5.71 (145)	3.43 (87)	3.94 (100)	3.82 (97)	.846 (21.5)	PG21
080SP3	7.67 (195)	3.43 (87)	3.94 (100)	3.82 (97)	.846 (21.5)	PG21
080SP4	5.71 (145)	3.43 (87)	2.95 (75)	2.83 (72)	.846 (21.5)	PG21
080SP4M	5.71 (145)	3.43 (87)	3.94 (100)	3.82 (97)	.846 (21.5)	PG21
080SP6	7.67 (195)	3.43 (87)	3.94 (100)	3.82 (97)	.846 (21.5)	PG21
080SP8	5.98 (152)	5.98 (152)	3.94 (100)	3.82 (97)	1.06 (27)	PG29
080SP12	8.07 (205)	9.05 (230)	3.94 (100)	3.82 (97)	1.06 (27)	PG29
080SP18	10.12 (257)	11.81 (300)	3.94 (100)	3.82 (97)	1.37 (35)	PG36
080SP24	10.12 (257)	11.81 (300)	3.94 (100)	3.82 (97)	1.37 (35)	PG36
080SP35	13.78 (350)	13.78 (350)	4.80 (122)	4.37 (111)	1.61 (41)	PG36



Outlines and Dimensions (in. / mm)
(For Estimating Only)

Metric to NPT Adaptors

Adaptor Type	Product Number	List Price GO-10GC
PG21 to 1/2-inch	080PG21A	\$25.00
PG21 to 3/4-inch	080PG21B	\$25.00
PG29 to 1-inch	080PG29C	\$25.00
PG36 to 1-1/4-inch	080PG36D	\$25.00

