

NEMA Full Voltage Power Devices

NEMA Rated Full Voltage Starters - Magnetic

CR306, CR386 Magnetic Starters

Nonreversing, Non-combination
 NEMA Sizes 00-9 with Thermal Overload Relay
 600 Volts Maximum 50/60 Hertz

Application

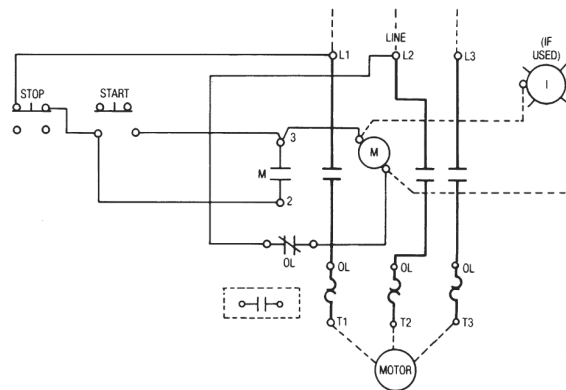
GE's magnetic motor starters listed here may be used for starting full-voltage, nonreversing, single-speed ac motors up to 1600 horsepower, 600 Volts maximum, providing protection to the motor against running or stalled overloads. Their compact size and ease of wiring make them especially suitable for motor control centers, custom-type control panels, and switchgear equipment. Refer to page 1-9 for features of basic starter.



Typical CR306 Size 4 magnetic motor starter

Product Number Selection Instructions

- Specify starter by complete Product Number.
 Example: CR306C103 is a Size 1 starter with 230-240-Volt, 60-Hertz coil and in Type 1 general-purpose enclosure @ **\$246.00, GO-10G.**
- The final letter of the Product Number denotes extra auxiliary contacts (sometimes referred to as auxiliary interlocks). Order the desired extra auxiliary contacts by replacing the final letter with one from first column of auxiliary interlock table (see page 1-136).
 Example: CR306C103AAB is Size 1 starter with one extra normally open, auxiliary contact @ **\$312.00, GO-10G.**
- Starter forms are available with coils of other ratings than those shown on pages 1-11 to 1-12. Refer to coil suffix table, page 1-8 for information. To order forms with other coil ratings, insert suffix from coil table in place of fifth and sixth numbers of listed starter Product Number shown on pages 1-11 to 1-12. (Contact your nearest GE Energy Representative for other available starter coils not shown in table.) Example: A CR306C102 NEMA Size 1, three-pole starter in Type 1 enclosure with 24-Volt, 60-Hertz coil becomes a CR306C124 Product Number.
- For continuous rated motors with a service factor of 1.15 to 1.25 select the heater with maximum motor Amperes equal to or immediately greater than the actual full-load current taken directly from the nameplate of motor. Order heaters by complete Product Number from appropriate heater tables on pages 1-155 to 1-161. **List Price \$9.00 each, GO-10H.** Packaged in quantities of three; must be ordered in multiples of three.
- Order special modifications or forms not listed by complete description using a listed Product Number as reference.
 Example: Similar to CR306C104 except with 480/120-Volt control transformer and red indicating light in cover.
Total List Price \$483.00, GO-10G.
- Two-phase, four-wire forms are available. Contact nearest GE Energy Representative for pricing and ordering information.
- Standard Coil Ratings**
 Standard Voltages (60 Hertz): 24, 115-120, 200-208, 230-240, 265-277, 460-480 and 575-600
 Standard Voltages (50 Hertz): 110, 220, 380, 440 and 550
 For price adders on special voltage and/or frequency coils, refer to page 1-128.
- 50-Hertz Starters**
 Pricing of starters for use on 50 Hertz at standard voltages is the same as shown in table for 60 Hertz. Refer to page 1-6 for three-phase horsepower ratings at 380 Volts, 50 Hertz.



Typical Schematic Diagram for CR306 Starter (NEMA Sizes 00-6)

9. Product Notes

Motor full-load current should not exceed continuous ampere rating of starter.

Reference Publications

Instructions	Publication Number
NEMA Size 00, 0, 1	GEH-5190
2	GEH-4774
3	GEH-4806
4	GEH-4807
5	GEH-4839
6	GEH-5198
7-9	GEH-5108

CR306, CR386 Magnetic Starters - Contents

Basic Features (300-Line) and Technical Features (CR306, CR386).....	1-9
Non-combination, NEMA Sizes 00-9 with Thermal Overload Relays — Application Information and Selection Instructions (CR306, CR386).....	1-10
Non-combination, NEMA Sizes 00-9 with Thermal Overload Relays (CR306, CR386).....	1-11
Outlines and Dimensions (CR306, CR386).....	1-15



Other Coil Voltages: See page 1-8
 Factory Installed Modifications: See pages 1-126 to 1-133

Field Installed Modifications: See pages 1-134 to 1-140
 Extra Auxiliary Contacts: See pages 1-134 to 1-136
 Heater Selection Tables: See pages 1-155 to 1-161

NEMA Full Voltage Power Devices

NEMA Rated Full Voltage Starters - Magnetic

CR306, CR386 Magnetic Starters

Section 1

Nonreversing, Non-combination, Open, NEMA Type 1, 3R, 12, 4/4X
 NEMA Sizes 00-9 with Thermal Overload Relay
 600 Volts Maximum 50/60 Hertz

Single-Phase

List price includes a holding interlock. One heater (per starter) for sizes 00-2 and two heaters (per starter) for size 3 should be ordered as separate items. See pages 1-155 to 1-161 for selection. **List price \$9.00 each, GO-10H.**

CR306, Single-Phase Magnetic Starters

NEMA Size	Continuous Ampere Rating ¹	Voltage	Horsepower	Open Type		NEMA Type 1		NEMA Type 3R		NEMA Type 12		NEMA Type 4/4X	
				Product Number CR306	List Price GO-10G	Product Number CR306	List Price GO-10G	Product Number CR306	List Price GO-10G	Product Number CR306	List Price GO-10G	Product Number CR306	List Price GO-10G
00	9	115-120	1/3	H002	\$162.00	H102	\$174.00	Use NEMA Size 0		Use NEMA Size 0		Use NEMA Size 0	
00	9	230-240	1	H003	\$162.00	H103	\$174.00	Use NEMA Size 0		Use NEMA Size 0		Use NEMA Size 0	
0	18	115-120	1	J002	\$183.00	J102	\$195.00	J602	\$267.00	J202	\$267.00	J402	\$405.00
0	18	230-240	2	J003	\$183.00	J103	\$195.00	J603	\$267.00	J203	\$267.00	J403	\$405.00
1	27	115-120	2	K002	\$213.00	K102	\$225.00	K602	\$297.00	K202	\$297.00	K402	\$441.00
1	27	230-240	3	K003	\$213.00	K103	\$225.00	K603	\$297.00	K203	\$297.00	K403	\$441.00
1P	36	115-120	3	K002BMA	\$279.00	K102BKA	\$291.00	K602BKA	\$363.00	K202BKA	\$363.00	K402BKA	\$507.00
1P	36	230-240	5	K003BMA	\$279.00	K103BKA	\$291.00	K603BKA	\$363.00	K203BKA	\$363.00	K403BKA	\$507.00
2	45	115-120	3	L002	\$387.00	L102	\$447.00	L602	\$579.00	L202	\$579.00	L402	\$879.00
2	45	230-240	7 1/2	L003	\$387.00	L103	\$447.00	L603	\$579.00	L203	\$579.00	L403	\$879.00
3	90	115-120	7 1/2	M002	\$642.00	M102	\$762.00	M602	\$918.00	M202	\$918.00	M402	\$1374.00
3	90	230-240	15	M003	\$642.00	M103	\$762.00	M603	\$918.00	M203	\$918.00	M403	\$1374.00
3	90	460-480	25	M004	\$642.00	M104	\$762.00	M604	\$918.00	M204	\$918.00	M404	\$1374.00
3	90	575-600	25	M005	\$642.00	M105	\$762.00	M605	\$918.00	M205	\$918.00	M405	\$1374.00

¹Motor full load current should not exceed continuous ampere rating of the starter.

