

Thermal overload relays for contactors



	For use with:	Setting range (regulation)		Fuses ⁽¹⁾		Srew terminal		Ring terminal		Pack	
				aM	gL - gG						
		min. A	max. A	A	A	Cat. no.	Ref. no.	Cat. no.	Ref. no.		
Class 10A	CL00	0.16	0.26	2	2	RT1B	113700	RT1RB	114087	5	
	CL01	0.25	0.41	2	2	RT1C	113701	RT1RC	114088	5	
	CL02	0.4	0.65	2	2	RT1D	113702	RT1RD	114089	5	
	CL25	0.65	1.1	2	4	RT1F	113703	RT1RF	114090	5	
	CL03	1.0	1.5	4	6	RT1G	113704	RT1RG	114091	5	
	CL04	1.3	1.9	4	6	RT1H	113705	RT1RH	114092	5	
	CL45	1.8	2.7	6	10	RT1J	113706	RT1RJ	114093	5	
		2.5	4.0	8	16	RT1K	113707	RT1RK	114094	5	
		4.0	6.3	12	20	RT1L	113708	RT1RL	114095	5	
		5.5	8.5	16	20	RT1M	113709	RT1RM	114096	5	
		8.0	12.0	20	25	RT1N	113710	RT1RN	114097	5	
		10.0	16.0	25	35	RT1P	113711	RT1RP	114098	5	
		14.5	18.0	32	50	RT1S	113712	RT1RS	114099	5	
		17.5	22.0	40	50	RT1T	113713	RT1RT	114100	5	
		21.0	26.0	40	63	RT1U	113714	RT1RU	114101	5	
		25.0	32.0	50	80	RT1V	113715	RT1RV	114102	5	
		30.0	40.0	63	100	RT1W	113716	RT1RW	114103	5	
Class 10	CL05	11.5	15.0	32	35	RT2A	113717	RT2RA	114104	1	
	CL06	14.5	19.0	40	50	RT2B	113718	RT2RB	114105	1	
	CL07	18.5	25.0	50	63	RT2C	113719	RT2RC	114106	1	
	CL08	24.0	32.0	63	100	RT2D	113720	RT2RD	114107	1	
	CL09	30.0	43.0	80	125	RT2E	113721	RT2RE	114108	1	
	CL10	42.0	55.0	100	160	RT2G	113722	RT2RG	114109	1	
		54.0	65.0	125	160	RT2H	113723	RT2RH	114110	1	
		64.0	82.0	125	200	RT2J	113724	RT2RJ	114111	1	
		78.0	97.0	125	200	RT2L	113725	RT2RL	114112	1	
		90.0	110	160	250	RT2M	113726	RT2RM	114113	1	
Class 20	CL00	0.4	0.65	2	2	RT12D	139138	RT12RD	114060	5	
	CL01	0.65	1.1	2	4	RT12F	139139	RT12RF	114061	5	
	CL02	1	1.5	4	6	RT12G	139140	RT12RG	114062	5	
	CL25	1.3	1.9	4	6	RT12H	139141	RT12RH	114063	5	
	CL03	1.8	2.7	8	10	RT12J	139142	RT12RJ	114159	5	
	CL04	2.5	4.1	8	16	RT12K	113640	RT12RK	114114	5	
	CL45	4	6.3	12	20	RT12L	113641	RT12RL	114115	5	
		5.5	8.5	16	20	RT12M	113642	RT12RM	114116	5	
		8	12	20	35	RT12N	113643	RT12RN	114117	5	
		10	16	25	35	RT12P	113644	RT12RP	114118	5	
		14.5	18	32	50	RT12S	113645	RT12RS	114119	5	
		17.5	22	40	50	RT12T	113646	RT12RT	114120	5	
		21	26	40	63	RT12U	113647	RT12RU	114121	5	
		25	32	50	80	RT12V	113648	RT12RV	114122	5	
		30	40	63	100	RT12W	113649	RT12RW	114123	5	
		CL05	24	32	63	80	RT22D	113650	RT22RD	114124	1
		CL06	30	43	80	100	RT22E	113651	RT22RE	114125	1
		CL07	42	55	100	160	RT22G	113652	RT22RG	114126	1
		CL08	54	65	125	160	RT22H	113653	RT22RH	114127	1
		CL09	64	82	125	200	RT22J	113654	RT22RJ	114128	1
		CL10	78	97	125	200	RT22L	113655	RT22RL	114129	1
			90	110	160	250	RT22M	113656	RT22RM	114130	1

(1) Most suitable fuse in accordance with IEC 60947-4-1.

Order codes

A

B

C

D

E

F

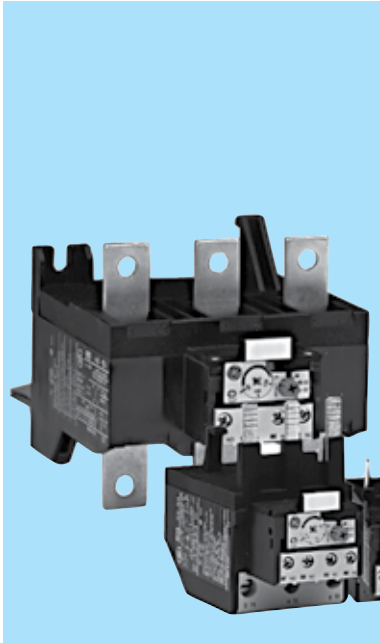
G

H

I

X





Thermal overload relays for contactors from 0.16 to 850A

- Control circuit up to 690V AC
- Power circuit:
 - RT1, RT12: up to 690V
 - RT2, RT22, RT3, RT32, RT4/4L, RT5/5L & RT6/6L: up to 1000V
- Thermal protection against normal overloads.
- Three pole differential (phase unbalance protection).
- Protection against long starting times.
- Automatic ambient temperature compensation between - 25°C y + 60°C.
- Front mounted test button.
- Trip indication.
- Independent auxiliary contacts with double rupture (1NO + 1NC).
- Function selector:
 - Manual RESET
 - Manual RESET and STOP
 - Automatic RESET with STOP
 - Automatic RESET without STOP

Standards

IEC/EN 60947-4-1	CSA 22.2/14
IEC/EN 60947-5-1	NI C 63-650
UNE 115	VDE 0660
NFC 63-650	UL 508
CEI 17-50	

Approvals



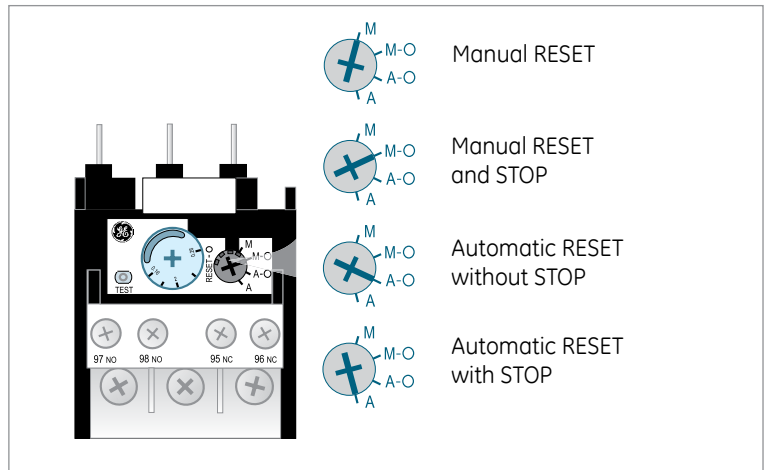
Lloyd's Register



Bureau Veritas



RINA



Order codes | pg. C.35
Dimensions | pg. C.44

