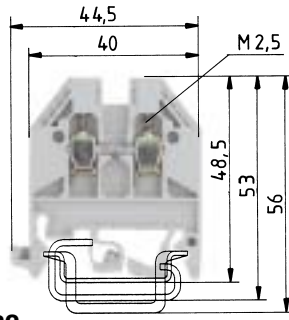


## SINGLE FEED-THROUGH TERMINAL BLOCK – SCREW TYPE

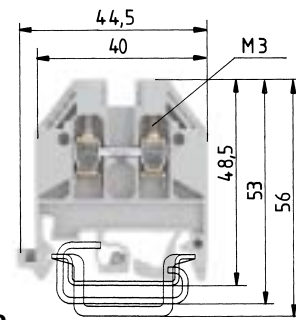
EN 60947-7-1  
DIN VDE 0611T1



**2.5 mm<sup>2</sup>**  
**451WN02G**

Max Wire Size (Fine Stranded)  
UL 600V  
CSA 600V  
Block Width  
Wire Stripping Length

12 AWG/2.5 mm<sup>2</sup>  
22-12 AWG 20A  
24-12 AWG 25A  
0.20" (5 mm)  
0.35" (9 mm)

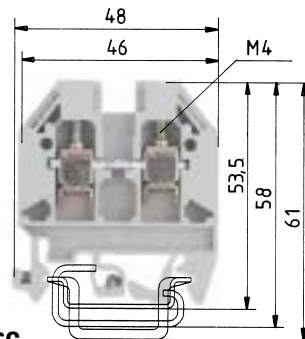


**4 mm<sup>2</sup>**  
**451WN04G**

10 AWG/4 mm<sup>2</sup>  
22-10 AWG 30A  
20-10 AWG 40A  
0.24" (6 mm)  
0.35" (9 mm)

Item	Description	Cat. No.	List Price, GO-10CB	Std. Pkg.	Cat. No.	List Price, GO-10CB	Std. Pkg.
Block	Gray	451WN02G	\$132.36	100	451WN04G	\$150.74*	100
	Blue	451WN02B	132.36	100	451WN04B	150.74	100
DIN Rail, 2 m, slotted	35 mm x 7.5 mm	451DR35075SL2	310.56	20	451DR35075SL2	310.56	20
	35 mm x 15 mm	451DR35015SL2	221.20	10	451DR35015SL2	221.20	10
End Clamps (35 mm)	8 mm - w/ Screw	451WNXEC3508S	179.79	50	451WNXEC3508S	179.79	50
End Plates	1.5 mm Thick	451WNXAP0201S1G	4.69	10	451WNXAP0201S1G	4.69	10
Partitions	1.5 mm Thick	451WNXSP0201S1G	6.32	10	451WNXSP0201S1G	6.32	10
Cross Connectors	2 Pole	451WNXJC0202S	15.89	10	451WNXJC0402S	15.25	10
	3 Pole	451WNXJC0203S	19.19	10	451WNXJC0403S	21.43	10
	10 Pole	451WNXJC0210S	56.87	10	451WNXJC0410S	64.35	10

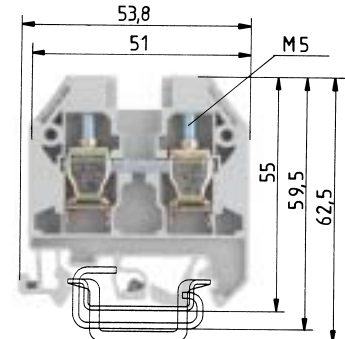
\*Contact GE for volume discounts.



**6 mm<sup>2</sup>**  
**451WN06G**

Max Wire Size (Fine Stranded)  
UL  
CSA  
Block Width  
Wire Stripping Length

8 AWG/6 mm<sup>2</sup>  
600V 22-8 AWG 50A  
600V 20-8 AWG 45A  
0.31" (8 mm)  
0.51" (13 mm)



**10 mm<sup>2</sup>**  
**451WN10G**

6 AWG/10 mm<sup>2</sup>  
600V 16-6 AWG 65A  
600V 16-6 AWG 70A  
0.39" (10 mm)  
0.51" (13 mm)

Item	Description	Cat. No.	List Price, GO-10CB	Std. Pkg.	Cat. No.	List Price, GO-10CB	Std. Pkg.
Block	Gray	451WN06G	\$216.73*	100	451WN10G	\$133.92*	50
DIN Rail, 2 m, slotted	35 mm x 7.5 mm	451DR35075SL2	310.56	20	451DR35075SL2	310.56	20
	35 mm x 15 mm	451DR35015SL2	221.20	10	451DR35015SL2	221.20	10
End Clamps (35 mm)	8 mm - w/ Screw	451WNXEC3508S	179.79	50	451WNXEC3508S	179.79	50
End Plates	1.5 mm Thick	451WNXAP0601S1G	5.33	10	451WNXAP1001S1G	6.22	10
Partitions	1.5 mm Thick	451WNXSP0601S1G	6.54	10	-	-	-
Cross Connectors	2 Pole	451WNXJC0602S	16.15	10	451WNXJC1002S	19.74	10
	3 Pole	451WNXJC0603S	25.75	10	451WNXJC1003S	22.89	10
	10 Pole	451WNXJC0610S	74.89	10	-	-	-

\*Contact GE for volume discounts.

List prices are per standard package quantity. Orders must be standard package quantity or multiples thereof.  
For ferrules, terminal strips, and marking labels and tags, see page 18.  
For additional wire size data, see inside back cover.