

Thermal overload relays for contactors from 0.16 to 850A

- Control circuit up to 690V AC
- Power circuit:
 - RT1, RT12: up to 690V
 - RT2, RT22, RT3, RT32, RT4/4L, RT5/5L & RT6/6L: up to 1000V
- Thermal protection against normal overloads.
- Three pole differential (phase unbalance protection).
- Protection against long starting times.
- Automatic ambient temperature compensation between - 25°C y + 60°C.
- Front mounted test button.
- Trip indication.
- Independent auxiliary contacts with double rupture (1NO + 1NC).
- Function selector:
 - Manual RESET
 - Manual RESET and STOP
 - Automatic RESET with STOP
 - Automatic RESET without STOP

Standards

IEC/EN 60947-4-1	CSA 22.2/14
IEC/EN 60947-5-1	NI C 63-650
UNE 115	VDE 0660
NFC 63-650	UL 508
CEI 17-50	

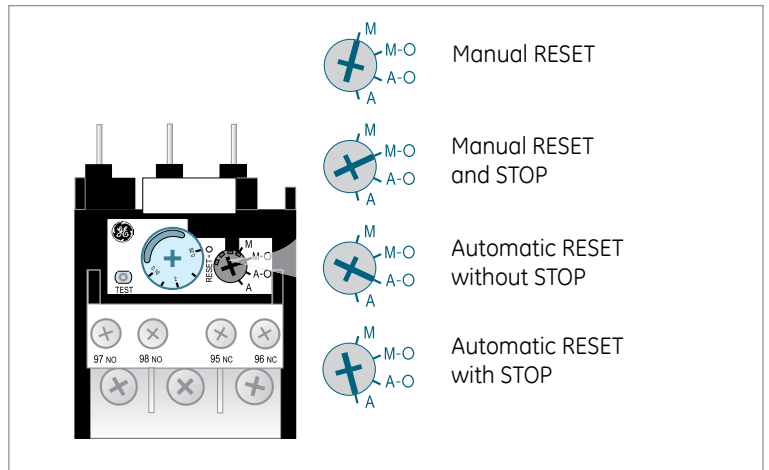
Approvals



Lloyd's Register

Bureau Veritas




RINA



Order codes | pg. C.35
 Dimensions | pg. C.44



Thermal overload relays for contactors

	For use with:	Setting range (regulation)		Fuses ⁽¹⁾		Cat. no. (Screw terminal)	Ref. no.	Pack		
		min.	max.	aM	gL - gG					
		A	A	A	A					
	Class 10 Direct mounting	CK75	55	80	125	200	RT3B	113727	1	
		CK08	63	90	125	200	RT3C	113728	1	
			90	120	160	250	RT3D	113729	1	
			110	140	200	315	RT3E	113730	1	
			140	190	250	355	RT3F	113731	1	
		CK85	120	190	250	315	RT4N	113732	1	
		CK09	175	280	315	400	RT4P	113733	1	
		CK95 ⁽²⁾	200	310	400	500	RT4R	113734	1	
		CK10	120	190	250	315	RT5A	113750	1	
		CK11	175	280	315	400	RT5B	113751	1	
		CK12 ⁽³⁾	250	400	500	630	RT5C	113752	1	
			315	500	630	800	RT5D	113753	1	
			430	700	800	1000	RT5E	113754	1	
		CK13 ⁽⁴⁾	500	850	100	1250	RT6A	113760	1	
	Class 20 Direct mounting	CK75	63	90	125	200	RT32C	113657	1	
		CK08	90	120	160	250	RT32D	113658	1	
			110	140	200	315	RT32E	113659	1	
			140	190	250	355	RT32F	113660	1	
	Class 30 Mounting with screws	CL...	2.5	4	10	16	RT4LA	113735	1	
		CK...	4	6.5	12	20	RT4LB	113736	1	
			5.5	8.5	16	25	RT4LC	113737	1	
			7.5	11	20	32	RT4LD	113738	1	
			10	16	25	40	RT4LE	113739	1	
			12.5	20	32	50	RT4LF	113740	1	
			17	27	50	80	RT4LG	113741	1	
			26	40	80	125	RT4LH	113742	1	
			32	52	100	160	RT4LJ	113743	1	
			45	70	125	160	RT4LK	113744	1	
			60	90	160	200	RT4LL	113745	1	
			80	125	200	250	RT4LM	113746	1	
			CK85	120	190	250	315	RT4LN	113747	1
			CK09	175	280	315	400	RT4LP	113748	1
			CK95 ⁽²⁾	200	310	400	500	RT4LR	113749	1
		CK10	120	190	250	315	RT5LA	113755	1	
		CK11	175	280	315	400	RT5LB	113756	1	
		CK12 ⁽³⁾	250	400	500	630	RT5LC	113757	1	
			315	500	630	800	RT5LD	113758	1	
			430	700	800	1000	RT5LE	113759	1	
	CK13 ⁽⁴⁾	500	850	1000	1250	RT6LA	113761	1		

(1) Most suitable fuse in accordance with IEC 60947-4-1.

(2) Fitting direct to the contactor.

(3) Fitting direct to the contactor: by means of a coupling and connection set. Separate mounting with screws on DIN rail / with cable connection.

(4) RT6A = RT1 with right setting range plus RTXP, independent mounting base adaptor, to be utilised with current transformer connected by passing cable chosen by customer. Current transformer data on request.