

How to Order

Use the circuit breaker mounting zone dimension table to determine the correct cable length for the application and ensure that the 3-inch minimum bending radius is not violated. Select the breaker mounted mechanism, operating cable and handle mechanism below. Order as separate components.

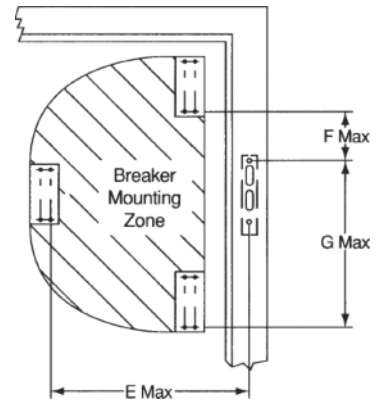
Publication References

| | |
|---|----------|
| Breaker types E150, SE150, SF250, SG600 | GEH-6290 |
| Breaker type SK1200 | GEH-6291 |

See Section 27 for publication ordering information.

Maximum Dimensions in Inches

To determine the maximum mounting dimensions for 60-through 120-inch-long operating cables, add the respective additional lengths to the 48-inch cable maximum dimensions. (Example: Add 12 inches to E, F and G dimensions for 60-inch cable length.) When cable is installed, the minimum cable bend radius should not be less than 3 inches. The minimum cable bending requirement must be met to ensure a safe operating environment.



Circuit Breaker Mounting Zone Dimensions

Maximum Mounting Dimensions (in.)

| Box Depth | 36" Cable | | | 48" Cable | | |
|-----------|----------------|-----|------|----------------|------|------|
| | E ¹ | F | G | E ¹ | F | G |
| 8" | 13.5 | 4.0 | 15.0 | 25.5 | 16.0 | 27.0 |
| 10" | 13.0 | 5.0 | 14.8 | 25.0 | 17.0 | 26.8 |
| 12" | 12.8 | 6.0 | 14.5 | 24.8 | 17.0 | 26.5 |
| 16" | 10.5 | 4.5 | 14.2 | 22.5 | 16.5 | 26.2 |
| 18" | 8.5 | 3.5 | 12.6 | 20.5 | 15.5 | 24.6 |
| 20" | - | 0.5 | 10.0 | 22.0 | 15.0 | 24.0 |
| 24" | - | - | - | 19.5 | 14.0 | 22.0 |

¹Maximum E Dimension only if F = 4.5"

Operating Cables

| Cable Length | Circuit Breaker Type | |
|--------------|---------------------------|----------------------|
| | E150, SE150, SF250, SG600 | SK1200 |
| 3' | Product Number SC3L | Product Number SC3H |
| 4' | Product Number SC4L | Product Number SC4H |
| 5' | Product Number SC5L | Product Number SC5H |
| 6' | Product Number SC6L | Product Number SC6H |
| 7' | Product Number SC7L | Product Number SC7H |
| 8' | Product Number SC8L | Product Number SC8H |
| 9' | Product Number SC9L | Product Number SC9H |
| 10' | Product Number SC10L | Product Number SC10H |

Breaker and Handle Mechanisms

| Circuit Breaker Type | Breaker Mounted Mechanism Product Number | Flange-Mounted Handle Mechanism | | | |
|----------------------|--|-----------------------------------|-------|---------------------------|--------|
| | | NEMA Enclosure Type 1, 3R, 12, 13 | | NEMA Enclosure Type 4, 4X | |
| | | 6" | 10" | 6" | 10" |
| E150 | SCOM1A | | | | |
| SE150 | SCOM1EF | | | | |
| SF250 | SCOM1EF | SCH1 | SCH2 | SCH1X | SCH2X |
| SG600 | SCOM1G | | | | |
| SK1200 | SCOM1K | - | SCH2K | - | SCH2KX |

