

Logic Control IEC Electronic Timers Multivoltage Electronic Timers

Delayed ON (See page 10-26 for technical data)

Input Voltage	Contact Configuration	Time Range	Product Number ¹	List Price GO-10RT
Direct 24-240V AC/DC	1 selectable NO-NC	0.06 sec. - 100 hrs	NMTCV	\$61.00
Direct 24-240V AC/DC	2 selectable NO-NC	0.06 sec. - 100 hrs	NMTCV2	\$75.00
With transformer	1 selectable NO-NC	0.06 sec. - 100 hrs	NMTCVT**	\$79.00



Delayed ON

Delayed ON with Instantaneous Contact (See page 10-27 for technical data)

Input Voltage	Contact Configuration	Time Range	Product Number	List Price GO-10RT
Direct 24-240V AC/DC	1 timed contact + 1 instant contact	0.06 sec. - 100 hrs	NMTCIV	\$64.00



Delayed ON w/
Instantaneous Contact

Impulse On (See page 10-27 for technical data)

Input Voltage	Contact Configuration	Time Range	Product Number ¹	List Price GO-10RT
Direct 24-240V AC/DC	1 selectable NO-NC	0.06 sec. - 100 hrs	NMICV	\$65.00

Star-Delta Starter (See page 10-28 for technical data)

Input Voltage	Contact Configuration	Time Range	Product Number ¹	List Price GO-10RT
Direct 24-240V AC/DC	2 timed	6 - 60 sec.	NMETV	\$89.00
With transformer	2 timed	6 - 60 sec.	NMETVT**	\$107.00

Delayed OFF (See page 10-29 for technical data)

Input Voltage	Contact Configuration	Time Range	Product Number ¹	List Price GO-10RT
Direct 24-240V AC/DC	1 selectable NO-NC	0.5 - 6 sec.	NMRDV-6	\$81.00
Direct 24-240V AC/DC	1 selectable NO-NC	5 - 60 sec.	NMRDV-60	\$81.00
Direct 24-240V AC/DC	1 selectable NO-NC	50 - 600 sec.	NMRDV-600	\$81.00
Direct 24-240V AC/DC	2 selectable NO-NC	0.5 - 6 sec.	NMRDV2-6	\$89.00
Direct 24-240V AC/DC	2 selectable NO-NC	5 - 60 sec.	NMRDV2-60	\$89.00
Direct 24-240V AC/DC	2 selectable NO-NC	50 - 600 sec.	NMRDV2-600	\$89.00
With transformer (up to 440V)	1 selectable NO-NC	0.5 - 6 sec.	NMRDVT-6**	\$93.00
With transformer (up to 440V)	1 selectable NO-NC	5 - 60 sec.	NMRDVT-60**	\$93.00
With transformer (up to 440V)	1 selectable NO-NC	50 - 600 sec.	NMRDVT-600**	\$93.00



Delayed OFF

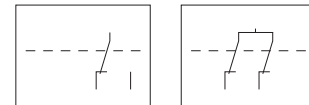
¹To complete the product number, replace the symbol ** with the code corresponding to the voltage.

**Coil Voltage

AC (50/60 Hz)	Coil Digits
110-125	AJ
200-240	AM
380-400	AU

Technical Data

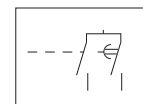
Type	See Page
NMTCV	10-26
NMTCIV	10-27
NMICV	10-27
NMETV	10-28
NMRDV	10-29



1NO-1NC

2NO-2NC

Contact Diagrams



2 Timed

Contact Diagrams



Logic Control

IEC Electronic Timers

Multivoltage Electronic Timers

Technical Data

****Available Input Voltages**

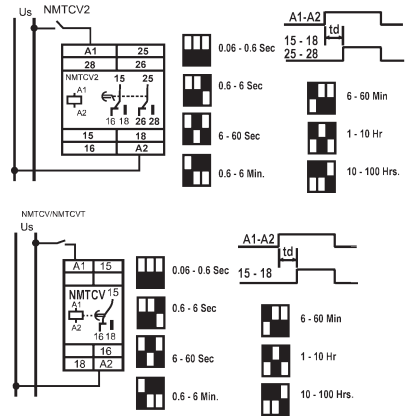
	Direct supply	Supplied with internal transformer		
	AC (50/60 Hz)/DC	AC (50/60Hz)		
Current				
Voltage	24-240	110-125	200-240	380-400
Product Number Code	None	AJ	AM	AU
NMETV	••			
NMETVT		••	•	•
NMICV	••			
NMIFV	••			
NMIVV	••			
NMMFV	••			
NMRDV	••			
NMRDV2	••			
NMRDVT		••	•	•
NMTCIV	••			
NMTCV	••			
NMTCV2	••			
NMTCVT		••	•	•
NMTDV	••			

- available
- recommended stock



NMTCV Delayed ON Timer

Electronic relay whose output contact connects with a certain adjustable delay from the moment voltage is applied to supply terminals A1-A2. It has four timing ranges: see drawing. Range selection is made by dip-switches located on the front of the relay. Times are set by front potentiometer controlling an Application Specific Integrated Circuit (ASIC) specially designed for this group of relays. This allows for excellent precision and repeatability features.



Product Number	NMTCV	NMTCV2	NMTCVT
Number of Selectable NO-NC Contacts	1	2	1
Output Contacts Rated Insulation Voltage: Ui AC	250V	250V	250V
Output Contacts Rated Insulation Voltage: Ui DC	250V	250V	250V
Output Contacts Thermal Current Ith	6A	6A	6A
Utilization Category AC15 Rated Voltage Ue	120/230V	120/230V	120/230V
Utilization Category AC15 Rated Current Ie	2.5/1.3A	2.5/1.3A	2.5/1.3A
Utilization Category DC13 Rated Voltage Ue	120/230V	110/230V	110/230V
Utilization Category DC13 Rated Current Ie	0.2/0.1A	0.2/0.1A	0.2/0.1A
Supply Voltage: AC (with transformer) Un	-	-	110-125V, 200-240V, 380-440V
Supply Voltage: DC/AC (direct)	24-240V	24-240V	-
Line Voltage Frequency	50/60 Hz	50/60 Hz	50/60 Hz
Supply Voltage Tolerance	+10/-20%	+10/-20%	+10/-15%
Consumption (mA)	60 (24V), 15 (240V)	60 (24V), 15 (240V)	-
Consumption (VA)	-	-	3.5
Input Circuit Test Voltage	2 kV	4 kV	4 kV
Switch ON Response Time	0.06 sec.-100 hrs.	0.06 sec.-100 hrs.	0.06 sec.-100 hrs.
Switch OFF Response Time	150 ms	150 ms	150 ms
Reset Time Between 2 Cycles	100 ms	100 ms	100 ms
Repeat Accuracy with 0.85 - 1.1 Un	1%	1%	1%
Weight	0.120, .26 lbs.	0.120, .26 lbs.	0.120, .26 lbs.
Approval & Standards	VDE 0106, VDE 0110, EN 50001, EN 50002, CSA C 22.2 N° 14, UL 94, UL 508, IEC 255.5		

For ambient conditions data see p. 10-32, Table 2. The relays have a green LED that lights when the relay is energized (flashing during the timing) and a red LED that lights when the output contact is made.

