

Terminal Blocks Panel or Mounting Track Terminal Boards

Section 12

CR2960

One Piece Terminal Board for Power Circuits
600 Volts
300 Amps Maximum
Heavy-Duty Use



Application

These heavy-duty terminal boards are for use in primary or power circuits up to the ampere rating listed.

Blocks have binding screws for both incoming and outgoing lines.

Features

- Where to use—power circuits.
- Ratings—50-, 100-, 150-, 300-amperes; 600 volts.
- Type of construction and material—one-piece, phenolic.
- Terminal configurations—binding screw terminals (stud terminals) on 300-ampere forms.
- Type of mounting—panel.

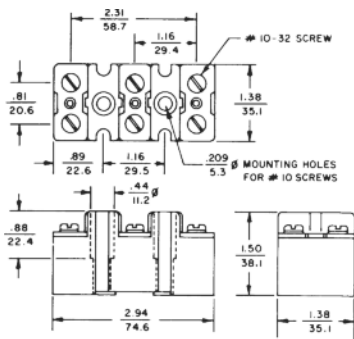
CR2960 Terminal Board (50-Amperes)

Panel or Mounting Track Terminal Boards—Screw

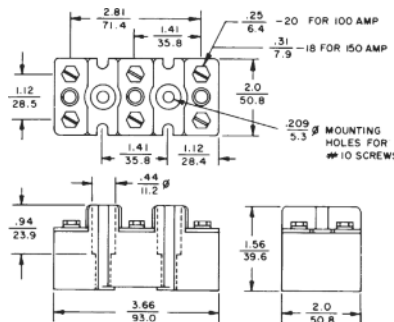
Points per Board ¹	Current (A)	Wire Size (AWG)	Screw/Stud Size	Distance Between Barriers (inches)	Product Number	List Price GO-10G6
2	300	through AWG kcmil 350	1/2"-13	1.31	CR2960SY139D2A	\$40.80
3	50	through AWG # 6	# 10-32	0.625	CR2960SY139C3B	\$20.10
3	100	through AWG # 1	1/4"-20	0.850	CR2960SY139C3C	\$25.50
3	150	through AWG # 3/0	5/16"-18	0.850	CR2960SY139C3D	\$31.50
3	300	through AWG kcmil 350	1/2"-13	1.31	CR2960SY139D3A	\$58.20

¹Where number of circuits desired is not listed, use combination of boards.

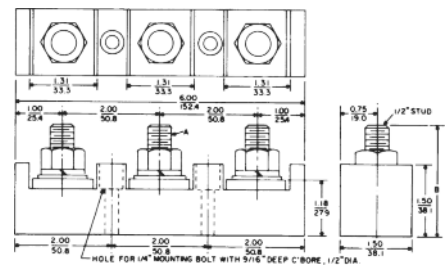
Outlines and Dimensions in. (mm) For Estimating Only



CR2960 50-Ampere Power Circuit
Terminal Boards



CR2960 100-, 150-Ampere Power Circuit
Terminal Boards



CR2960 300-Ampere Power Circuit
Terminal Boards.

