

Safety Switches

Double-Throw Switches

Spec-Setter™ Safety Switches

Type TC, Type TDT
 240, 480, 600 Volts AC
 250 Volts DC

Type TC Non-Fused (NEMA 1) and Outdoor (NEMA 3R) Double-Throw Switches

- Designed for application where safety, high performance, and continuity of service are required.
- UL Listed. Products in this section have been tested by UL and shown to meet the construction and performance requirements of UL Standard Number 98, Enclosed and Dead Front Switches. Suitable for use in accordance with Article 702 of the National Electrical Code.
- Meet Federal Specification W-S-865C for enclosed switches; 30-200 amps, Type HD; 400-600 amps, Type LD.
- Meet or exceed NEMA Enclosed Switch Standard KS1 except paragraph 1-4.24 (withstand and short circuit) for Type HD 30-200 amps, Type GD 400-600 amps.
- Seismic Certified (non-fused).
- 60°C and 75°C conductor ratings.
- Quick-make, quick-break mechanisms 30-200 amps; quick break mechanisms 400-600 amps.
- UL Service Entrance rated (NEMA 1 and NEMA 3R).

Type TC Outdoor Emergency Power Transfer Switches

- Designed for residential or light commercial applications where duty is not severe.
- UL Listed. Products in this section have been tested by UL and shown to meet the construction and performance requirements of UL Standard Number 98, Enclosed and Dead Front Switches.
- Meet or exceed NEMA Enclosed Switch Standard KS1 for Type GD.
- Suitable for use as service entrance equipment when installed in accordance with National Electrical Code.
- 60°C and 75°C conductor ratings.
- Not quick-make, quick-break

Type TDT Fusible Double-Throw Safety Switches

- TDT safety switches are suitable for use as service entrance equipment when either neutral kit DT200NK or ground lug kit DS200GK is installed. UL listed (no CSA or cUL).



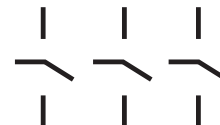
TC35322, Type TC Indoor Double-throw Switch



TC35321, Type TC Outdoor Double-throw Switch



TC10323R, Type TC Outdoor Emergency Power Transfer Switch



Three-pole, 240 Volts AC, 250 Volts DC, No Fuse



Three-pole, 600 Volts AC, 250 Volts DC, No Fuse



Three-wire SN, 120/240 Volts AC, No Fuse



Four-wire SN, 240 Volts AC, No Fuse



Safety Switches

Double-Throw Switches

Spec-Setter™ Safety Switches

Type TC, Type TDT

240, 480, 600 Volts AC

250 Volts DC

Three-pole, 240 Volts AC, 250 Volts DC, No Fuse

Ampere Rating	Enclosure Type	HP, 240 Vac, NEC Std, 3-ph	HP, 480 Vac, NEC Std, 3-ph	HP, 600 Vac, NEC Std, 3-ph	Lug Wire Size, AWG/kcmil, Cu Only	Product Number
30A	NEMA Type 1	2	-	-	14-8	TC35321
60A	NEMA Type 1	3	-	-	14-4	TC35322
100A	NEMA Type 1	7 1/2	-	-	14-1/0	TC35323
200A	NEMA Type 1	15	-	-	6-250	TC35324
400A	NEMA Type 1	30	-	-	(2)1/0-250 or #2-600	TC35325
600A	NEMA Type 1	50	-	-	(2)3/0-350 or #2-600	TC35326 ²

Three-pole, 240 Volts AC, 250 Volts DC, No Fuse

Ampere Rating	Enclosure Type	HP, 240 Vac, NEC Std, 3-ph	HP, 480 Vac, NEC Std, 3-ph	HP, 600 Vac, NEC Std, 3-ph	Lug Wire Size, AWG/kcmil, Cu Only	Product Number
30A	NEMA Type 3R	2	-	-	14-8	TC35321R
60A	NEMA Type 3R	3	-	-	14-4	TC35322R
100A	NEMA Type 3R	7.5	-	-	14-1/0	TC35323R
200A	NEMA Type 3R	15	-	-	6-250	TC35324R
400A	NEMA Type 3R	30	-	-	(2) 1/0-250 or #2-600	TC35325R

Three-pole, 600 Volts AC, 250 Volts DC, No Fuse

Ampere Rating	Enclosure Type	HP, 240 Vac, NEC Std, 3-ph	HP, 480 Vac, NEC Std, 3-ph	HP, 600 Vac, NEC Std, 3-ph	Lug Wire Size, AWG/kcmil, Cu Only	Product Number
30A	NEMA Type 1	10	10	10	14-4	Use 60A
60A	NEMA Type 1	10	10	10	14-4	TC35362
100A	NEMA Type 1	15	15	15	14-1/0	TC35363
200A	NEMA Type 1	30	30	30	6-250	TC35364
400A	NEMA Type 1	-	-	-	(2)1/0-250 or #2-600	TC35365 ^{1,2,5}
600A	NEMA Type 1	-	-	-	(2)3/0-350 or #2-600	TC35366 ^{1,2}

Three-pole, 600 Volts AC, 250 Volts DC, No Fuse

Ampere Rating	Enclosure Type	HP, 240 Vac, NEC Std, 3-ph	HP, 480 Vac, NEC Std, 3-ph	HP, 600 Vac, NEC Std, 3-ph	Lug Wire Size, AWG/kcmil, Cu Only	Product Number
30A	NEMA Type 3R	10	10	10	14.4	Use 60A
60A	NEMA Type 3R	10	10	10	14-4	TC35362R
100A	NEMA Type 3R	15	15	15	14-1/0	TC35363R
200A	NEMA Type 3R	30	30	30	6-250	TC35364R

240 Volts AC, Fusible

Ampere Rating	Enclosure Type	HP, 240 Vac, Time Delay, 1-ph	HP, 480 Vac, Time Delay, 1-ph	HP, 600 Vac, Time Delay, 1-ph	HP, 240 Vac, Time Delay, 3-ph	HP, 480 Vac, Time Delay, 3-ph	HP, 600 Vac, Time Delay, 3-ph	HP, DC @ 250V	Product Number
30A	NEMA Type 1	3	-	-	7 1/2	-	-	5	TDT3321
60A	NEMA Type 1	10	-	-	15	-	-	10	TDT3322
100A	NEMA Type 1	15	-	-	30	-	-	20	TDT3323
200A	NEMA Type 1	15	-	-	60	-	-	40	TDT3324 ³
400A	NEMA Type 1	-	-	-	125	-	-	50	TDT3325
600A	NEMA Type 1	-	-	-	50	-	-	50	TDT3326 ⁴
30A	NEMA Type 3R	3	7 1/2	10	7 1/2	15	20	5	TDT3321R
60A	NEMA Type 3R	10	20	25	15	30	50	10	TDT3322R
100A	NEMA Type 3R	15	30	40	30	60	75	20	TDT3323R
200A	NEMA Type 3R	15	50	50	60	125	150	40	TDT3324R ³

600 Volts AC, Fusible

Ampere Rating	Enclosure Type	HP, 240 Vac, Time Delay, 1-ph	HP, 480 Vac, Time Delay, 1-ph	HP, 600 Vac, Time Delay, 1-ph	HP, 240 Vac, Time Delay, 3-ph	HP, 480 Vac, Time Delay, 3-ph	HP, 600 Vac, Time Delay, 3-ph	HP, DC @ 250V	Product Number
30A	NEMA Type 1	3	7 1/2	10	7 1/2	15	20	-	TDT3361
60A	NEMA Type 1	10	20	25	15	30	50	-	TDT3362
100A	NEMA Type 1	15	30	40	30	60	75	-	TDT3363
200A	NEMA Type 1	15	50	50	60	125	150	40	TDT3364 ³
400A	NEMA Type 1	-	-	-	125	250	350	50	TDT3365
100A	NEMA Type 3R	15	30	40	30	60	75	20	TDT3363R
200A	NEMA Type 3R	15	50	50	60	125	150	40	TDT3364R ³

¹Not UL Listed.

²Not suitable for use as service equipment per NEC Article 702.

³200 Amp switches move load base for Class J fuses.

⁴600 Amp switch available with Class T fuse provision only.

⁵No provision for auxiliary contact kit.



Safety Switches Enclosure Dimensions

Spec-Setter™ Safety Switches

TC, TDT, TPF and TPN

NEMA Type 1 and 3R Enclosures

Section 4

NEMA Type 1 TC Plug Fuse Approximate Dimensions in Inches Figure 1

Product Number	Dimension W	Dimension H	Dimension D	Dimension W2	KO Figure Number ¹
TPF130	4 3/8	7 5/8	2 1/2	4 3/8	17
TPF230	4 3/8	7 5/8	2 1/2	4 3/8	17

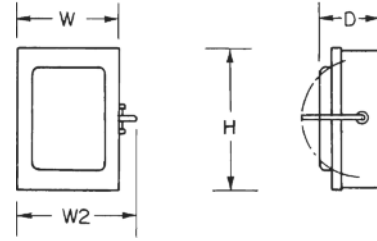


Figure 1

NEMA Type 1 TC Double Throw Approximate Dimensions in Inches Figure 1

Product Number	Dimension W	Dimension H	Dimension D	Dimension W2	KO Figure Number ¹
TC35321	10.37	15.81	5.33	12.04	7
TC35322	11.37	18.75	6.43	13.10	7
TC35323	14.37	22.37	8.06	16.12	9
TC35324	17.87	30.12	9.15	19.88	10
TC35325	24.40	34.31	10.52	26.94	10
TC35326	23.50	44.38	9.25	26.00	12
TC35362	11.37	18.75	6.43	13.10	7
TC35363	14.37	22.37	8.06	16.12	9
TC35364	17.87	30.12	9.15	19.88	10
TC35365	20.44	34.31	8.25	22.90	10
TC35366	23.50	44.38	9.25	26.00	12

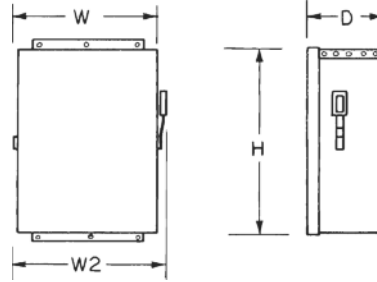


Figure 2

NEMA Type 3R TC Double Throw Approximate Dimensions in Inches Figure 1

Product Number	Dimension W	Dimension H	Dimension D	Dimension W2	KO Figure Number ¹
TC35321R	10.88	19.75	5.33	11.98	No KO
TC35322R	11.88	20.80	6.43	12.98	No KO
TC35323R	14.88	22.91	8.06	16.38	No KO
TC35324R	17.87	30.63	9.15	19.88	No KO
TC35325R	24.40	34.83	10.52	26.94	No KO
TC35362R	11.88	20.80	6.43	12.98	No KO
TC35363R	14.88	22.91	8.06	16.38	No KO
TC35364R	17.87	30.63	9.15	19.88	No KO

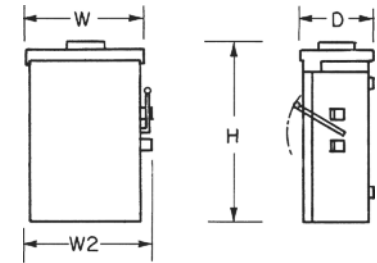


Figure 3

NEMA Type 1 TDT Fusible Double Throw Approximate Dimensions in Inches Figure 5

Product Number	Dimension W	Dimension H	Dimension D	Dimension W2	KO Figure Number ¹
TDT3321	-	37	9 7/8	12 3/4	No KO
TDT3322	-	37	9 7/8	12 3/4	No KO
TDT3323	-	37	9 7/8	12 3/4	No KO
TDT3324	-	51 3/8	11 1/4	20 3/8	No KO
TDT3325	-	74 3/4	14 1/8	26 1/8	No KO
TDT3326	-	86 1/8	14 1/8	28 1/4	No KO
TDT3361	-	37	9 7/8	12 3/4	No KO
TDT3362	-	37	9 7/8	12 3/4	No KO
TDT3363	-	37	9 7/8	12 3/4	No KO
TDT3364	-	51 3/8	11 1/4	20 3/8	No KO
TDT3365	-	74 3/4	14 1/8	26 1/8	No KO

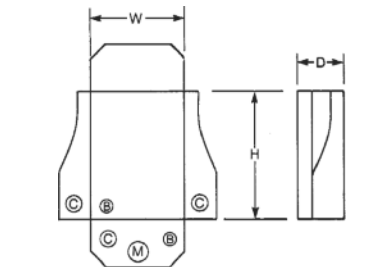


Figure 4

NEMA Type 1 TC 800 and 1200 Amp Approximate Dimensions in Inches Figure 2

Product Number	Dimension W	Dimension H	Dimension D	Dimension W2	KO Figure Number ¹
TC36367	32 1/4	52 1/2	12 1/2	34	No KO
TC36368	37 1/2	65 1/2	13 1/2	39 1/4	No KO
TC72267	41 3/4	62	12 1/2	43 1/2	No KO
TC72268	47 1/2	77	13 1/2	49 1/4	No KO
TC72367	41 3/4	62	12 1/2	43 1/2	No KO
TC72368	47 1/2	77	13 1/2	49 1/4	No KO

NEMA Type 3R TC Double Throw Approximate Dimensions in Inches Figure 3

Product Number	Dimension W	Dimension H	Dimension D	Dimension W2	KO Figure Number ¹
TC10323R	7 3/8	15 1/8	4	8 1/16	15
TC10324R	13 9/16	30	6 1/4	15 5/8	13
TC10424R	13 9/16	30	6 1/4	15 5/8	13

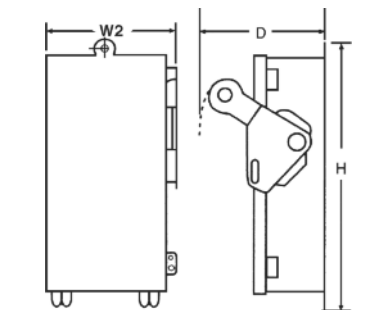


Figure 5

NEMA Type 3R TDT Fusible Double Throw Approximate Dimensions in Inches Figure 5

Product Number	Dimension W	Dimension H	Dimension D	Dimension W2	KO Figure Number ¹
TDT3321R	-	37	9 7/8	12 3/4	No KO
TDT3322R	-	37	9 7/8	12 3/4	No KO
TDT3323R	-	37	9 7/8	12 3/4	No KO
TDT3324R	-	51 3/8	11 1/4	20 3/8	No KO
TDT3363R	-	37	9 7/8	12 3/4	No KO
TDT3364R	-	51 3/8	11 1/4	20 3/8	No KO

¹See page 3-38.

