

Safety Switches Double-Throw Switches

Spec-Setter™ Safety Switches

Type TC Outdoor

240, 480, 600 Volts AC

250 Volts DC

Three-wire SN, 120/240 Volts AC, No Fuse—Emergency Power Transfer Switch

Ampere Rating	Poles	Enclosure Type	Lug Wire Size, AWG/kcmil, Cu/Al	Product Number
100A	2	NEMA Type 3R	12-1	TC10323R
200A	2	NEMA Type 3R	6-250	TC10324R

Four-wire SN, 240 Volts AC, No Fuse—Emergency Power Transfer Switch

Ampere Rating	Poles	Enclosure Type	Lug Wire Size, AWG/kcmil, Cu/Al	Product Number
200A	3	NEMA Type 3R	6-250	TC10424R

Accessories for TDT-Style Fusible Double-Throw Safety Switches (Standard Delivery—4 Weeks)

Accessory Type	Description	Product Number
Control Pole	–	DS16CP
Electrical Interlocks	30-800 A, 1N	DS200EK1
Electrical Interlocks	30-800 A, 2N	DS200EK2
Neutral Kit	30-100 A	DT100NK
Neutral Kit	200 A	DT200NK
Neutral Kit	400-600 A	DS800NK
Class J Fuse Field Conversion Kit	400 A (600 V only)	DT400JK
Equipment Ground Kits	30-100 A Kit	DS100GK
Equipment Ground Kits	200 A Kit	DS200GK
Equipment Ground Kits	400-800 A Kit	DS468GK
Class R Fusing Kit—Field Installable	for 3 Poles 30 A (240V)	DS12FK
Class R Fusing Kit—Field Installable	for 3 Poles 30 & 60 A	DS16FK
Class R Fusing Kit—Field Installable	for 3 Poles 60 A (600V)	DS26FK
Class R Fusing Kit—Field Installable	for 3 Poles 100 A (240V & 600V)	DS36FK
Class R Fusing Kit—Field Installable	for 3 Poles 200 A (240V & 600V)	DS46FK
Class R Fusing Kit—Field Installable	for 3 Poles 400 A (240V & 600V)	DS56FK
Class R Fusing Kit—Field Installable	for 3 Poles 600A (240V & 600V)	DS66FK
T Fuse Clip	for 3 Pole 200A (240V)	DS426TK
T Fuse Clip	for 3 Pole 200A (600V)	DS466TK
T Fuse Clip	for 1 Pole 400A (240V)	DS526TK ¹
T Fuse Clip	for 1 Pole 400A (600V)	DS566TK ¹
T Fuse Clip	for 1 Pole 600A (240V)	DS626TK ¹
T Fuse Clip	for 1 Pole 600A (600V)	DS666TK ¹
Conduit Hub—3"	for 200A Type 3R (240V & 600V)	TC300

¹Order one kit per pole.

Accessories for 240V & 600V TC Non-Fusible Double Throw Safety Switches

Accessory Type	Switch Amp Rating	Description	Voltage	Product Number
Neutral Kits	30	(5) 1/0-14 with bond strap	240	TNK100
Neutral Kits	60	(5) 1/0-14 with bond strap	240	TNK100
Neutral Kits	100	(5) 1/0-14 with bond strap	240	TNK100
Neutral Kits	200	with bond screw	240	TNK200
Neutral Kits	400	(3) 2-600MCM with bond lug	240	TNK400
Neutral Kits	60	(5) 1/0-14 with bond strap	600	TNK100
Neutral Kits	100	(5) 1/0-14 with bond strap	600	TNK100
Neutral Kits	200	with bond screw	600	TNK200
Ground Kits	30	(4) 14-8 AWG CU or 12-8 AWG AL plus (3) 14-4 AWG CU or 6-4 AWG AL		TGL1
Ground Kits	60	(4) 14-8 AWG CU or 12-8 AWG AL plus (3) 14-4 AWG CU or 6-4 AWG AL		TGL1
Ground Kits	100	(3) #12-1/0 AWG CU/AL		TNG3
Ground Kits	200	(3) #12-1/0 AWG CU/AL		TNG3
Ground Kits	400	(3) #2-250MCM CU/AL		TGL6
Ground Kits	600	(3) #2-250MCM CU/AL		TGL6
Auxiliary Contact Kit (field installed)	30-400	Auxiliary Contact Kit - Field installed for NEMA 1 and NEMA 3R TC35XXX Series Switches (unless noted otherwise)		THAUXDT



Safety Switches Enclosure Dimensions

Spec-Setter™ Safety Switches

TC, TDT, TPF and TPN

NEMA Type 1 and 3R Enclosures

Section 4

NEMA Type 1 TC Plug Fuse Approximate Dimensions in Inches Figure 1

Product Number	Dimension W	Dimension H	Dimension D	Dimension W2	KO Figure Number ¹
TPF130	4 3/8	7 5/8	2 1/2	4 3/8	17
TPF230	4 3/8	7 5/8	2 1/2	4 3/8	17

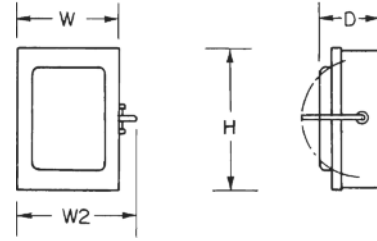


Figure 1

NEMA Type 1 TC Double Throw Approximate Dimensions in Inches Figure 1

Product Number	Dimension W	Dimension H	Dimension D	Dimension W2	KO Figure Number ¹
TC35321	10.37	15.81	5.33	12.04	7
TC35322	11.37	18.75	6.43	13.10	7
TC35323	14.37	22.37	8.06	16.12	9
TC35324	17.87	30.12	9.15	19.88	10
TC35325	24.40	34.31	10.52	26.94	10
TC35326	23.50	44.38	9.25	26.00	12
TC35362	11.37	18.75	6.43	13.10	7
TC35363	14.37	22.37	8.06	16.12	9
TC35364	17.87	30.12	9.15	19.88	10
TC35365	20.44	34.31	8.25	22.90	10
TC35366	23.50	44.38	9.25	26.00	12

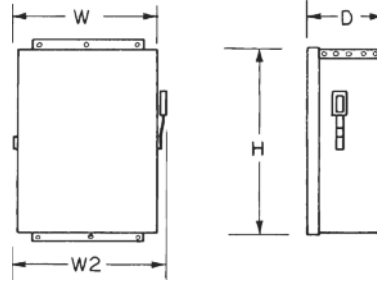


Figure 2

NEMA Type 3R TC Double Throw Approximate Dimensions in Inches Figure 1

Product Number	Dimension W	Dimension H	Dimension D	Dimension W2	KO Figure Number ¹
TC35321R	10.88	19.75	5.33	11.98	No KO
TC35322R	11.88	20.80	6.43	12.98	No KO
TC35323R	14.88	22.91	8.06	16.38	No KO
TC35324R	17.87	30.63	9.15	19.88	No KO
TC35325R	24.40	34.83	10.52	26.94	No KO
TC35362R	11.88	20.80	6.43	12.98	No KO
TC35363R	14.88	22.91	8.06	16.38	No KO
TC35364R	17.87	30.63	9.15	19.88	No KO

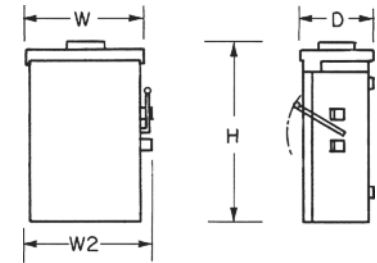


Figure 3

NEMA Type 1 TDT Fusible Double Throw Approximate Dimensions in Inches Figure 5

Product Number	Dimension W	Dimension H	Dimension D	Dimension W2	KO Figure Number ¹
TDT3321	-	37	9 7/8	12 3/4	No KO
TDT3322	-	37	9 7/8	12 3/4	No KO
TDT3323	-	37	9 7/8	12 3/4	No KO
TDT3324	-	51 3/8	11 1/4	20 3/8	No KO
TDT3325	-	74 3/4	14 1/8	26 1/8	No KO
TDT3326	-	86 1/8	14 1/8	28 1/4	No KO
TDT3361	-	37	9 7/8	12 3/4	No KO
TDT3362	-	37	9 7/8	12 3/4	No KO
TDT3363	-	37	9 7/8	12 3/4	No KO
TDT3364	-	51 3/8	11 1/4	20 3/8	No KO
TDT3365	-	74 3/4	14 1/8	26 1/8	No KO

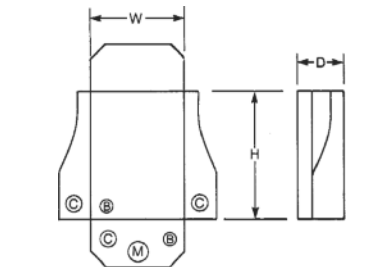


Figure 4

NEMA Type 1 TC 800 and 1200 Amp Approximate Dimensions in Inches Figure 2

Product Number	Dimension W	Dimension H	Dimension D	Dimension W2	KO Figure Number ¹
TC36367	32 1/4	52 1/2	12 1/2	34	No KO
TC36368	37 1/2	65 1/2	13 1/2	39 1/4	No KO
TC72267	41 3/4	62	12 1/2	43 1/2	No KO
TC72268	47 1/2	77	13 1/2	49 1/4	No KO
TC72367	41 3/4	62	12 1/2	43 1/2	No KO
TC72368	47 1/2	77	13 1/2	49 1/4	No KO

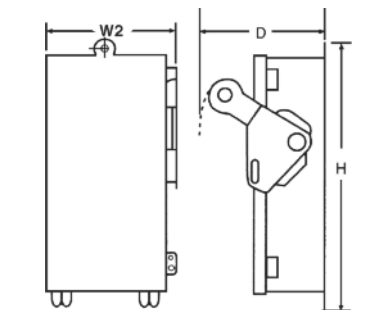


Figure 5

NEMA Type 3R TC Double Throw Approximate Dimensions in Inches Figure 3

Product Number	Dimension W	Dimension H	Dimension D	Dimension W2	KO Figure Number ¹
TC10323R	7 3/8	15 1/8	4	8 1/16	15
TC10324R	13 9/16	30	6 1/4	15 5/8	13
TC10424R	13 9/16	30	6 1/4	15 5/8	13

NEMA Type 3R TDT Fusible Double Throw Approximate Dimensions in Inches Figure 5

Product Number	Dimension W	Dimension H	Dimension D	Dimension W2	KO Figure Number ¹
TDT3321R	-	37	9 7/8	12 3/4	No KO
TDT3322R	-	37	9 7/8	12 3/4	No KO
TDT3323R	-	37	9 7/8	12 3/4	No KO
TDT3324R	-	51 3/8	11 1/4	20 3/8	No KO
TDT3363R	-	37	9 7/8	12 3/4	No KO
TDT3364R	-	51 3/8	11 1/4	20 3/8	No KO

¹See page 3-38.

