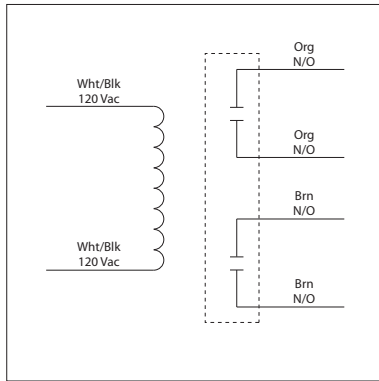


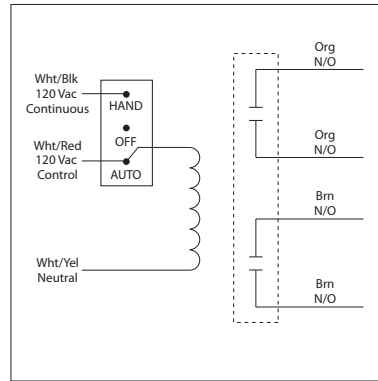
**RIB01P30**

Enclosed Relay 30 Amp with 120 Vac Coil

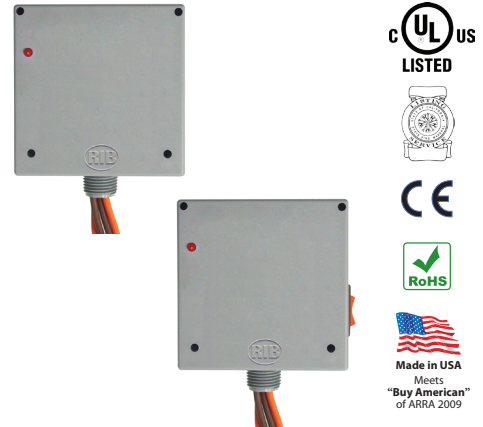


**RIB01P30-S**

Enclosed Relay 30 Amp + Coil Side Override with 120 Vac Coil



**30 Amp Power Control Relay**



**Specifications**

**# Relays & Contact** One (1) DPST Continuous Duty Coil  
**Type:** 10 million cycles minimum mechanical  
**Expected Relay Life:** -30 to 140° F  
**Operating Temperature:** 5 to 95% (noncondensing)  
**Humidity Range:** 18mS  
**Operate Time:** LED On = Activated  
**Relay Status:** 4.00" x 4.00" x 1.80" with .50" NPT Nipple  
**Dimensions:** 16", 600V Rated  
**Wires:** UL Listed, UL916, UL864, C-UL  
**Approvals:** California State Fire Marshal, CE, RoHS  
 UL Accepted for Use in Plenum, NEMA 1  
**Housing Rating:** Yes  
**Gold Flash:** No (RIB01P30)  
**Override Switch:** Coil Side (RIB01P30-S)

**Contact Ratings:**  
 30 Amp Resistive @ 300 Vac  
 25 Amp Resistive @ 28 Vdc  
 20 Amp Ballast @ 277-480 Vac  
 15 Amp Resistive @ 600 Vac  
 770 VA Pilot Duty @ 120 Vac  
 1158 VA Pilot Duty @ 240 Vac  
 1110 VA Pilot Duty @ 277 Vac  
 1640 VA Pilot Duty @ 480 Vac  
 Heavy Pilot Duty @ 600 Vac  
 3 HP @ 480-600 Vac  
 2 HP @ 240-277 Vac  
 1 HP @ 120 Vac

**Coil Current:**  
 105 mA @ 120 Vac

**Coil Voltage Input:**  
 120 Vac ; 50-60 Hz  
 Drop Out = 35 Vac  
 Pull In = 85 Vac

**Control Input: (RIB01P30-S)**  
 Wht/Blk = 120 Vac Continuous  
 Wht/Red = 120 Vac Control  
 Wht/Yel = Neutral

**Notes:**  
 • Order Both Poles Normally Closed by adding "-NC" to end of model number  
 • Order Pole 1 Normally Open and Pole 2 Normally Closed by adding "-NONC" to end of model number  
 • Order with Momentary Override Switch by adding "-MNO" to end of model number (RIB01P30-S)